

MARLOWE LOW BOOKCASE

WARNING: ADULT ASSEMBLY ONLY OWING TO THE PRESENCE OF SMALL PARTS, SHARP POINTS AND EDGES

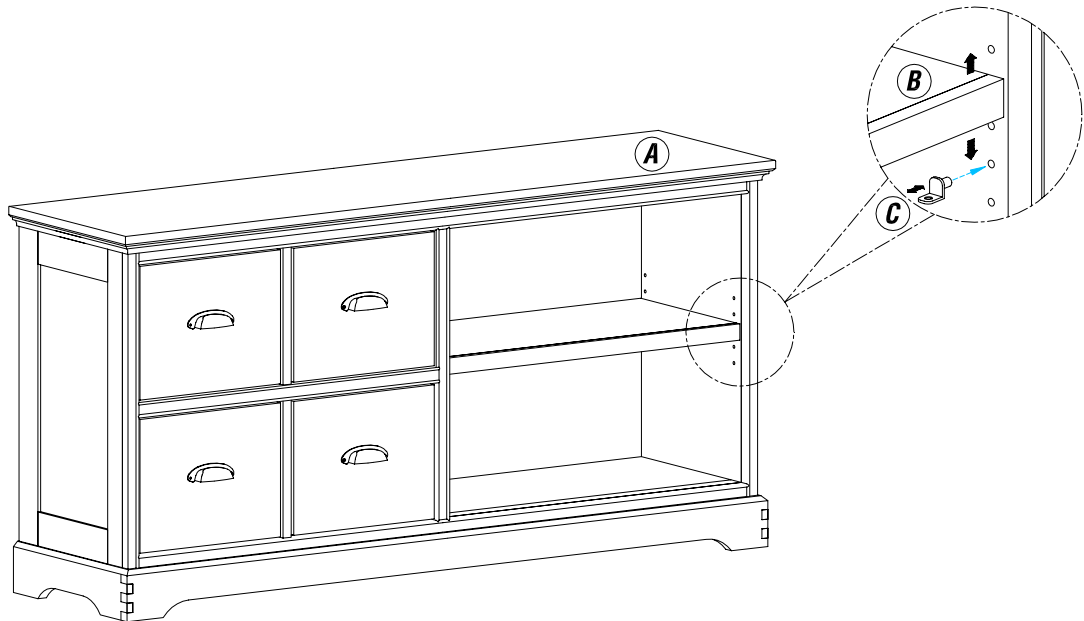
Customer Service- If you are missing parts or have any questions about this product, please contact us at : 1-800-762-1751

PART LIST

- A [1] LOW WIDE BOOKCASE
- B [1] ADJUSTABLE SHELF
- C [4] SHELF PINS

ASSEMBLY INSTRUCTION

Insert the shelf pins (C) into the holes in the Bookcase (A). Then put the adjustable shelves (B) onto the shelf pins as shown below.



Thank you for your purchase
www.rhbabyandchild.com