

# baby & child RESTORATION HARDWARE

**All Restoration Hardware cribs are designed to meet the highest safety standards and comply with all U.S. and Canadian cribs and cradles regulations.**

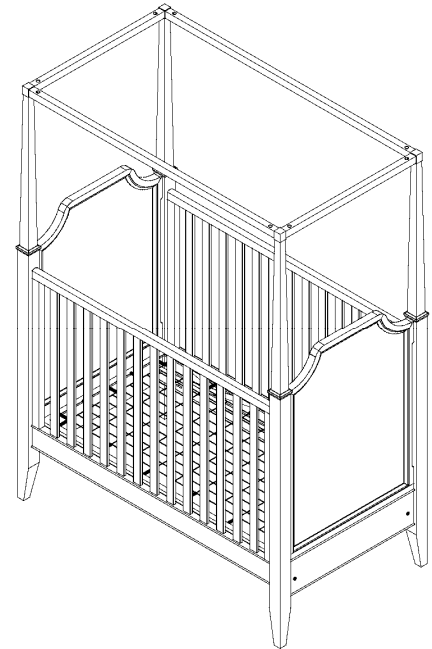
Assembly Instructions For Crib  
**baby&child**  
RESTORATION HARDWARE

Restoration Hardware Baby & Child  
2900 North Macarthur Drive  
Tracy, California 95376  
restorationhardware.com  
Made in China

Model No: 5463-0612  
"Sutton Collection"

Model No: 5563-0612  
"Sutton Collection"

Distributed in the U.S.A. by:  
Restoration Hardware Baby & Child  
2900 North Macarthur Drive  
Tracy, California 95376  
restorationhardware.com



**WARNING:** Read all instructions before assembling this product. Keep instructions for future use.

## CUSTOMER SERVICE

If you are missing parts or have any questions about this product, contact us first. You can also order parts by writing to the address above. Include the product model number, color, and a brief description of the part.  
Call 1-800-762-1751

## CARE AND CLEANING

**DO NOT** scratch or chip the finish. **DO NOT** use abrasive chemicals for cleaning. Clean with mild soap on a soft rag. Rinse and dry thoroughly. If the crib is to be stored, store in a cool dry place and carefully package all original hardware to protect from loss.

## TOOLS AND INSTALLATION

Tools Necessary: Allen Key (included).  
Flathead Screwdriver (not included).  
Phillips Screwdriver (not included).

Note: It may be easier to assemble product with two people.

**NOTE:** When inserting bolts, turn clockwise until tight. Then loosen 1/2-3/4 of a turn. After crib is completely assembled, return to each bolt and tighten. Use wax or soap on all bolts to facilitate assembly.

## IMPORTANT SAFETY INFORMATION FOR CRIBS

**▲ WARNING:** Infants can suffocate on soft bedding. Never add a pillow, comforter or padding.

**▲ WARNING:** Failure to follow these warnings and the assembly instructions could result in serious injury or death.

- To reduce the risk of **SIDS**, pediatricians recommend healthy infants be placed on their backs to sleep, unless otherwise advised by your physician.
- Strings can cause strangulation! **DO NOT** place items with a string around a child's neck, such as hood strings or pacifier cords. **DO NOT** suspend strings over a crib or attach strings to toys.
- To help prevent strangulation tighten all fasteners. A child can trap parts of the body or clothing on loose fasteners.
- **DO NOT** place crib near window where cords from blinds or drapes may strangle a child.
- When child is able to pull to a standing position, set mattress to lowest position and remove bumper pads, large toys and other objects that could serve as steps for climbing out.
- After raising side, make sure latches are secure.
- **DO NOT** leave child in crib with side lowered. Be sure side is in raised and locked position whenever child is in crib.
- When a child's height reaches 90 centimeters (35 inches), the crib shall no longer be used, and the child should be placed in a youth or regular bed.
- Check this product for damaged hardware, loose joints, missing parts or sharp edges before and after assembly and frequently during use. **DO NOT** use crib if any parts are missing, damaged or broken. Contact Restoration Hardware for replacement parts and instructional literature if needed. **DO NOT** substitute parts.
- **DO NOT** use a water mattress with this crib.
- If refinishing, use a non-toxic finish specified for children's products.
- Read all instructions before assembling crib. **KEEP INSTRUCTIONS FOR FUTURE USE.**
- Never use plastic shipping bags or other plastic film as mattress covers because they can cause suffocation.
- Infants can suffocate in gaps between crib sides and a mattress that is too small.

**CAUTION:** Any mattress used in this crib must be at least 27-1/4 inches by 51-5/8 inches with a thickness not exceeding 6 inches.

## IMPORTANT SAFETY INFORMATION FOR CRIBS

# WARNING

- Do not use this crib if the enclosed or attached instructions cannot be strictly adhered to. Do not use this crib if the child is able to climb out unaided or is taller than 90 cm. Do not place cords, straps or similar items that could become wound around the child's neck in or near this crib. Ensure that the sides are properly latched or locked in place when the crib is occupied. The mattress used with this crib should not be more than 15 cm thick and should be of such length and width that the gap between the mattress and the sides of the crib is not more than 3 cm when the mattress is pushed into the corner of the crib.
- Parents should inspect the crib regularly -- before putting the child in the crib each day -- and confirm that every component of the crib is properly and securely in place.

## IMPORTANT SAFETY INFORMATION FOR TODDLER & DAY BEDS

# WARNING

**Failure to follow these warnings and the assembly instructions could result in serious injury or death from entrapment or strangulation.**

**DO NOT place bed near windows where cords from blinds or drapes may strangle a child.**

- The mattress intended for use on the bed shall be a full-size crib mattress having minimum dimensions of 51-5/8 in. (1310 mm) in length, 27-1/4 in. (690 mm) in width and 4 in. (100 mm) in thickness, not exceeding 6 in. (152 mm) in thickness.
- **DO NOT** place bed near windows where cords from blinds or drapes may strangle a child.
- **DO NOT** place items with a string, cord, or ribbon around a child's neck, such as hood strings or pacifier cords.
- **DO NOT** suspend strings over a toddler bed for any reason.

**FOR TODDLER BEDS AND DAY BEDS ONLY.** A child using this bed should be at least 15 months of age and should not weigh more than 50 lbs. (22.7 kgs.).

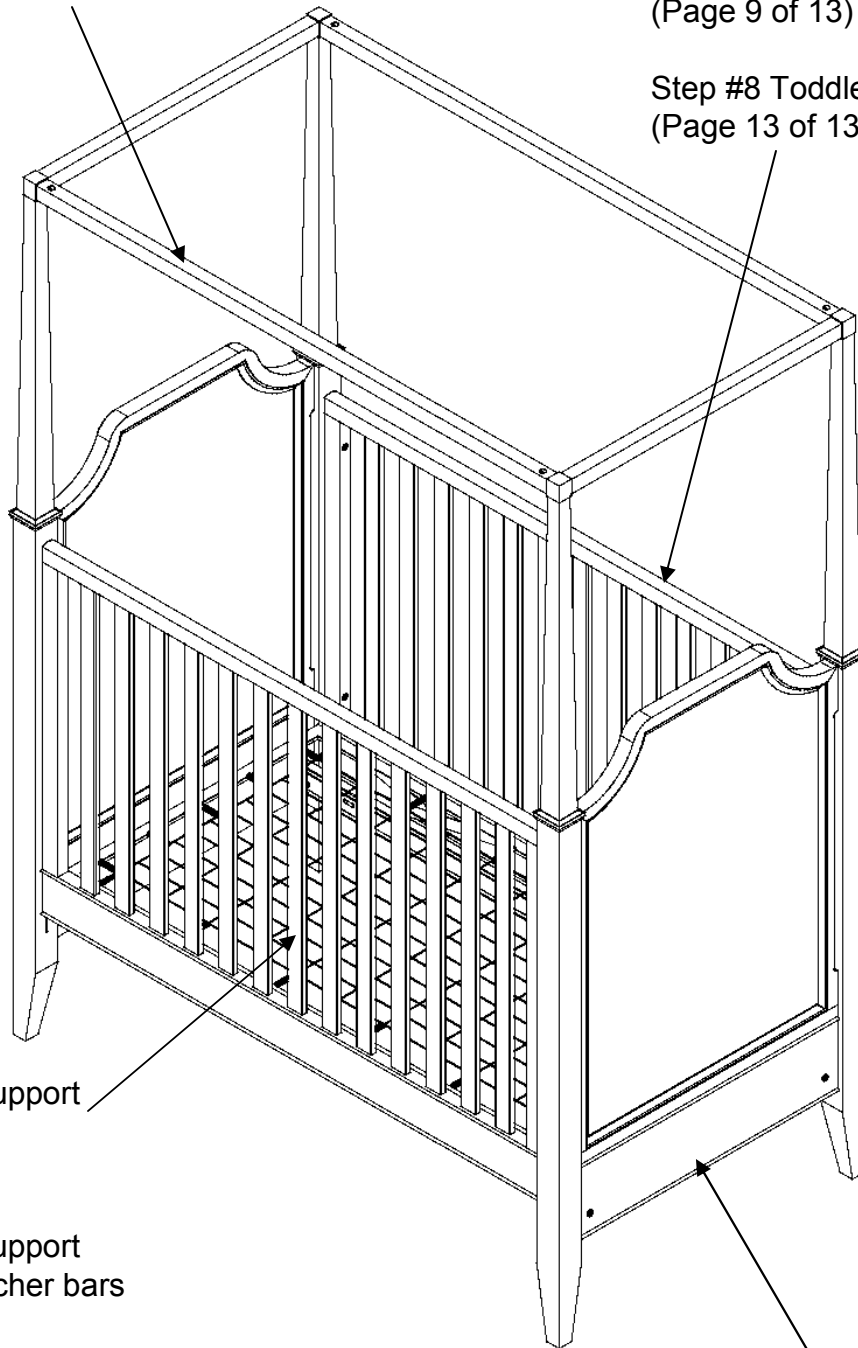
# Item Identification

For ease of identification, all parts are labeled to correspond to the Step number in which the part is used.

Step #6 Canopy frame assembly  
(Page 11 of 13)

Step #4 Stationary side assembly  
(Page 9 of 13)

Step #8 Toddler rail assembly  
(Page 13 of 13)



Step #2 Mattress support  
height adjustment  
(Page 7 of 13)

Step #3 Mattress support  
Attachment to stretcher bars  
(Page 8 of 13)

Step #5 Drop side assembly  
(Page 10 of 13)

Step #7 Drop side operation  
(Page 12 of 13)

Step #1 Side frame &  
stretcher bar assembly  
(Page 6 of 13)

# STEP #1

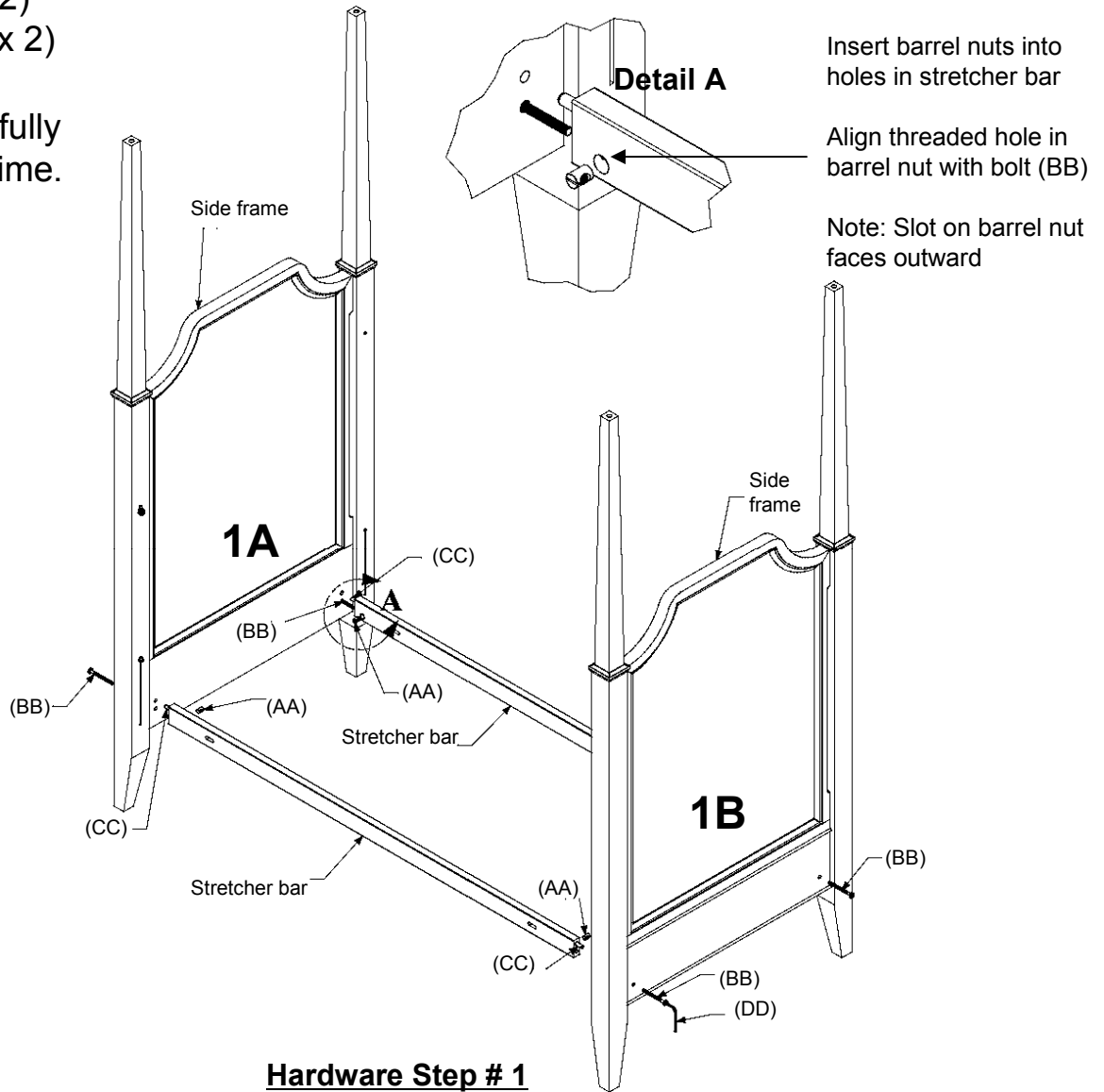
## SIDE FRAME & STRETCHER BAR ASSEMBLY

Side Frame (x 2)  
Stretcher Bar (x 2)

NOTE: Do not fully tighten at this time.

### Hardware needed for Step #1:

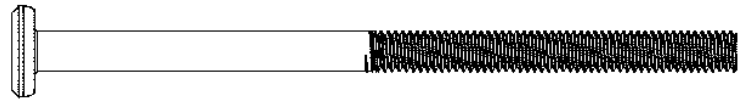
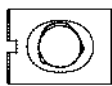
- (AA) K.D. Barrel Nuts (x 4 pieces)
- (BB) 3-1/2 in. Bolts (x 4 pieces)
- (CC) Dowel Pin (x 4 pieces)
- (DD) Allen Wrench (1 piece)



### Hardware Step # 1

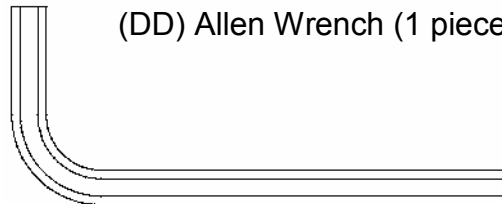
(AA) K.D. Barrel nuts (x 4 pieces)

(BB) 3-1-2 in. bolts (x 4 pieces)



(CC) Dowel pin (x 4 pieces)

(DD) Allen Wrench (1 piece)



## STEP #2

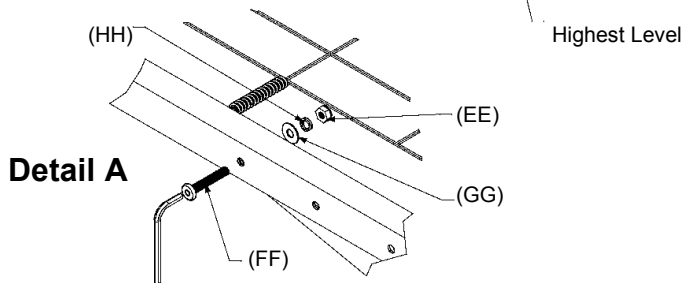
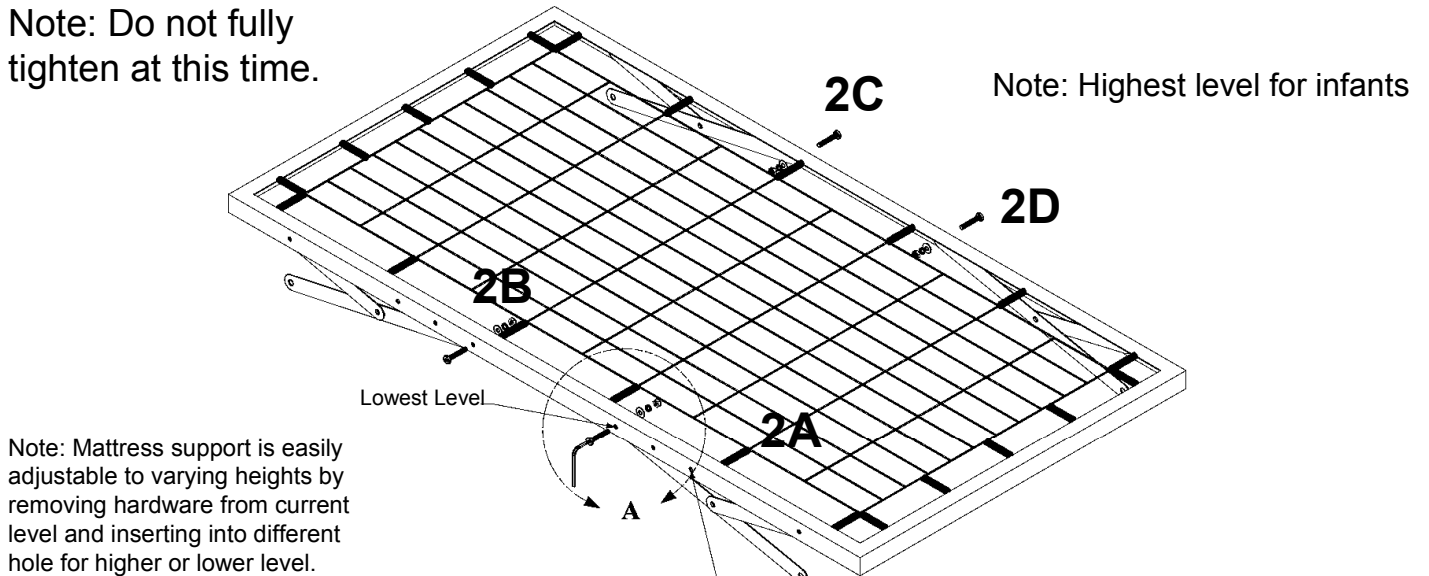
### MATTRESS SUPPORT HEIGHT ADJUSTMENT

Mattress support (x 1)

Note: Do not fully  
tighten at this time.

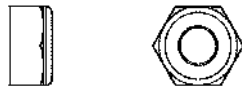
### Hardware needed for Step #2:

- (EE) Mattress nut (x 4 pieces)
- (FF) 1-3/8 in. Mattress bolt (x 4 pieces)
- (GG) Mattress washer (x 4 pieces)
- (HH) 3/8 in. lock washer (x 4 pieces)
- (DD) Allen Wrench (1 piece)

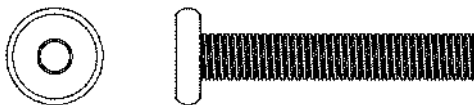


### Hardware Step # 2

(EE) Mattress Nut (x 4 pieces)



(FF) 1-3/8 in. Mattress Bolt (x 4 pieces)



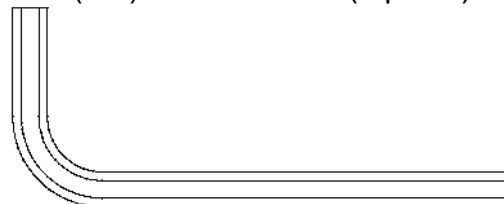
(GG) Mattress Washer (x 4 pieces)



(HH) 3/8 Lock washer (x 4 pieces)



(DD) Allen Wrench (1 piece)



# STEP #3

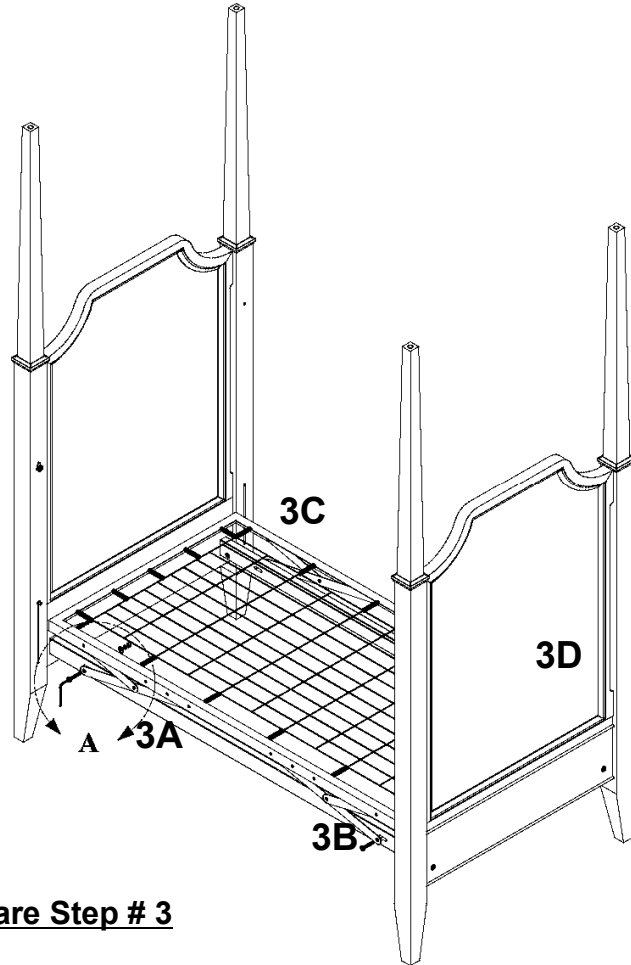
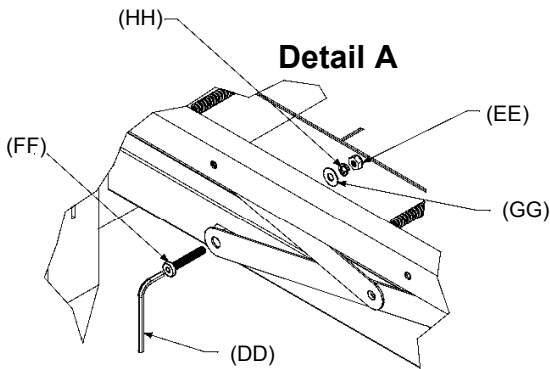
## MATTRESS SUPPORT ATTACHMENT TO STRETCHER BARS

Mattress support (x 1)

Note: Do not fully tighten at this time.

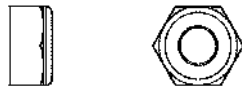
### Hardware needed for Step #3:

- (EE) Mattress nut (x 4 pieces)
- (FF) 1-3/8 in. Mattress bolt (x 4 pieces)
- (GG) Mattress washer (x 4 pieces)
- (HH) 3/8 in. lock washer (x 4 pieces)
- (DD) Allen Wrench (1 piece)

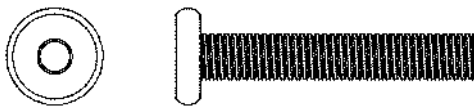


### Hardware Step # 3

(EE) Mattress Nut (x 4 pieces)



(FF) 1-3/8 in. Mattress Bolt (x 4 pieces)



(GG) Mattress Washer (x 4 pieces)



(HH) 3/8 Lock washer (x 4 pieces)



(DD) Allen Wrench (1 piece)





# STEP #4

## STATIONARY SIDE ASSEMBLY

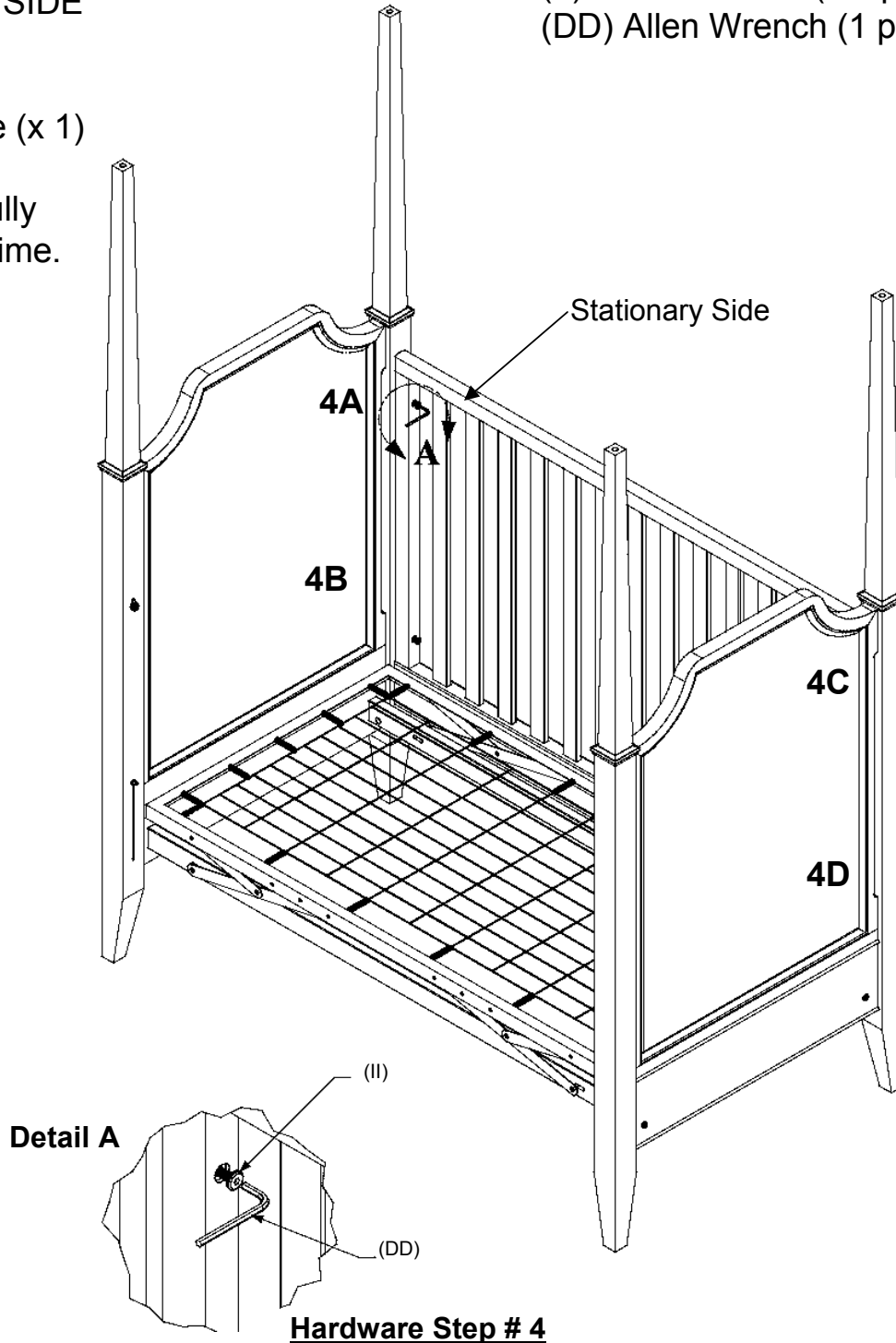
### Hardware needed for Step #4:

(II) 2-5/8 in. Bolt (x 4 pieces)

(DD) Allen Wrench (1 piece)

Stationary Side (x 1)

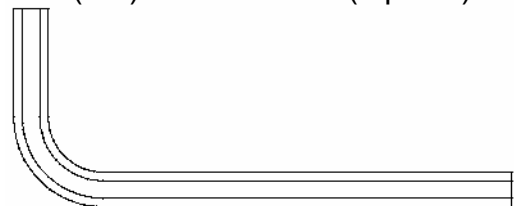
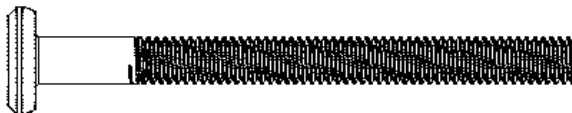
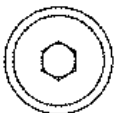
Note: Do not fully tighten at this time.



### Hardware Step # 4

(II) 2-5/8 inch bolt (x 4 pieces)

(DD) Allen Wrench (1 piece)



# STEP #5

## DROP SIDE ASSEMBLY

Drop side (x 1)

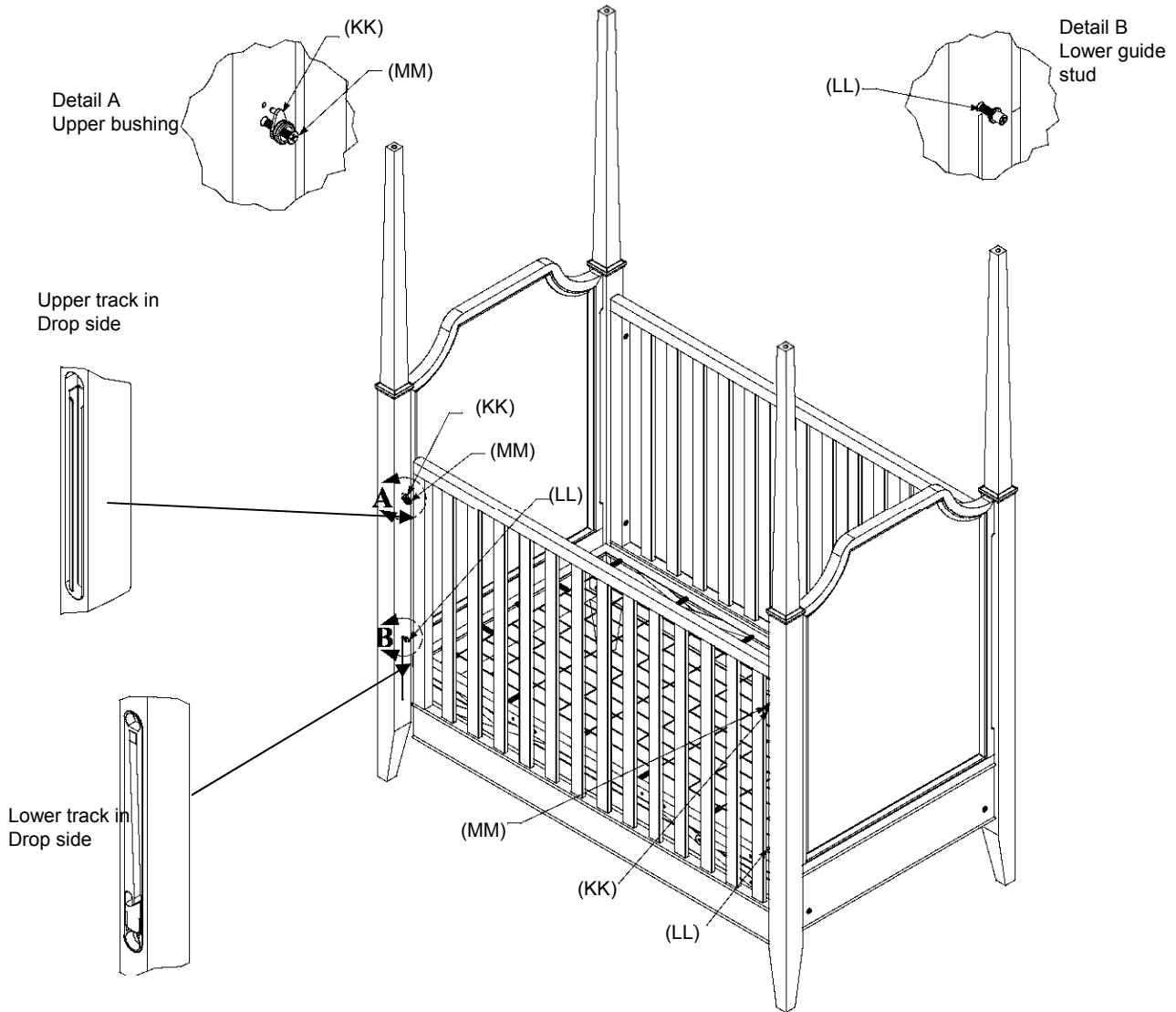
To attach drop side, insert top of upper track on to upper bushing on both ends. Then align lower guide stud with slot in lower track of drop side. Pull up on drop side to engage.

### Hardware needed for Step #5:

(KK) Upper bushing (x 2 pieces)

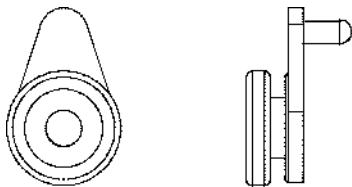
(LL) Lower guide stud (x 2 pieces)

(MM) Upper bushing screw (x 2 pieces)

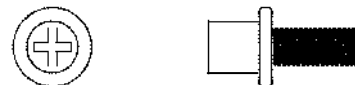


### Hardware Step #5

(KK) Upper bushing (x 2 pieces)



(LL) Lower guide stud (x 2 pieces)



(MM) Upper bushing screw (x 2 pieces)



# STEP #6

## CANOPY FRAME ASSEMBLY

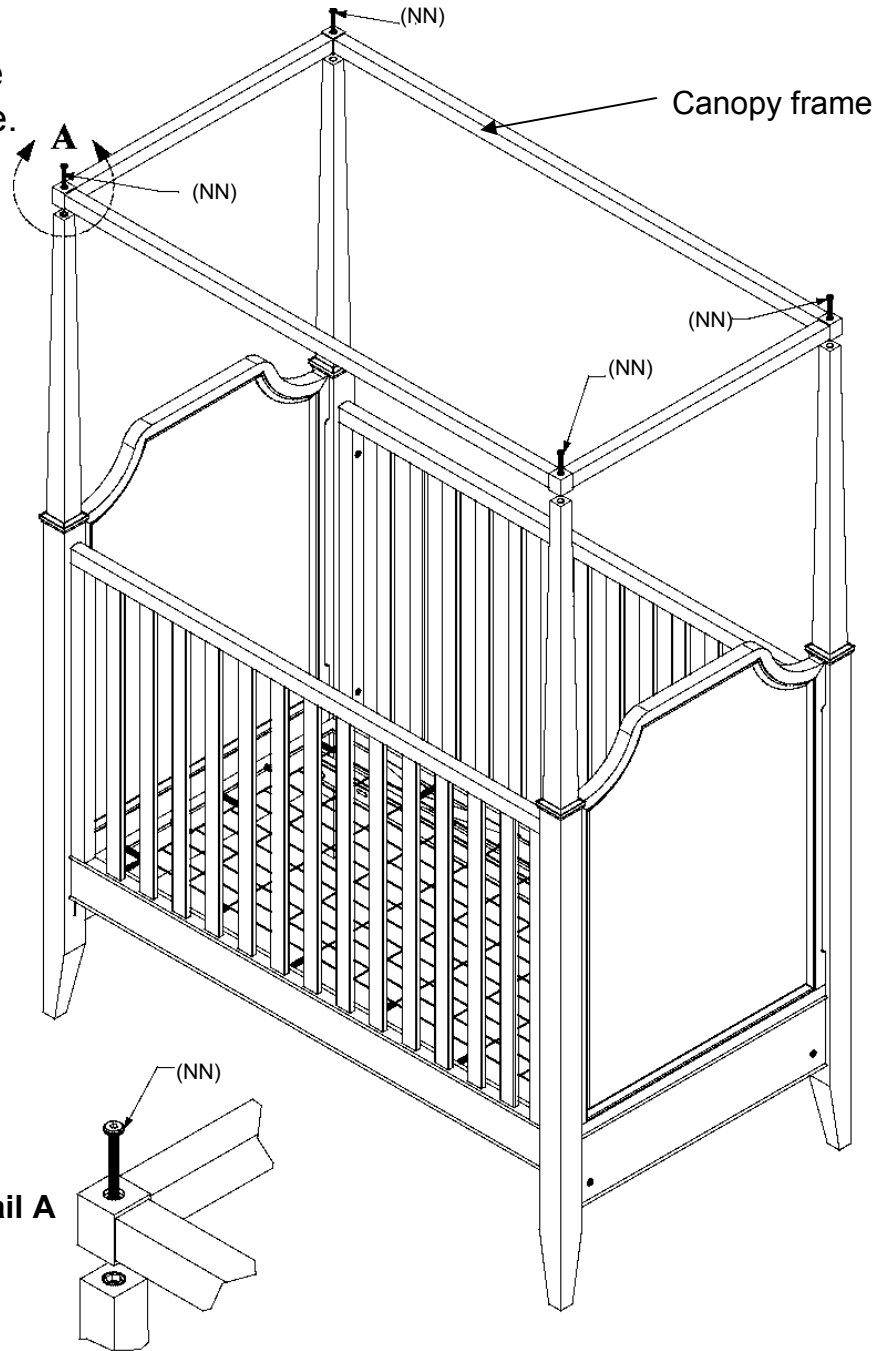
### Hardware needed for Step #6:

(NN) 2-1/4 in. Bolt (x 4 pieces)

(DD) Allen Wrench (1 piece)

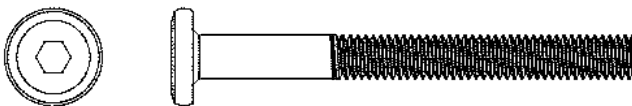
Canopy frame (x 1)

All hardware may be tightened at this time.



### Hardware Step #6

(NN) 2-1/4 inch bolt (x 4 pieces)



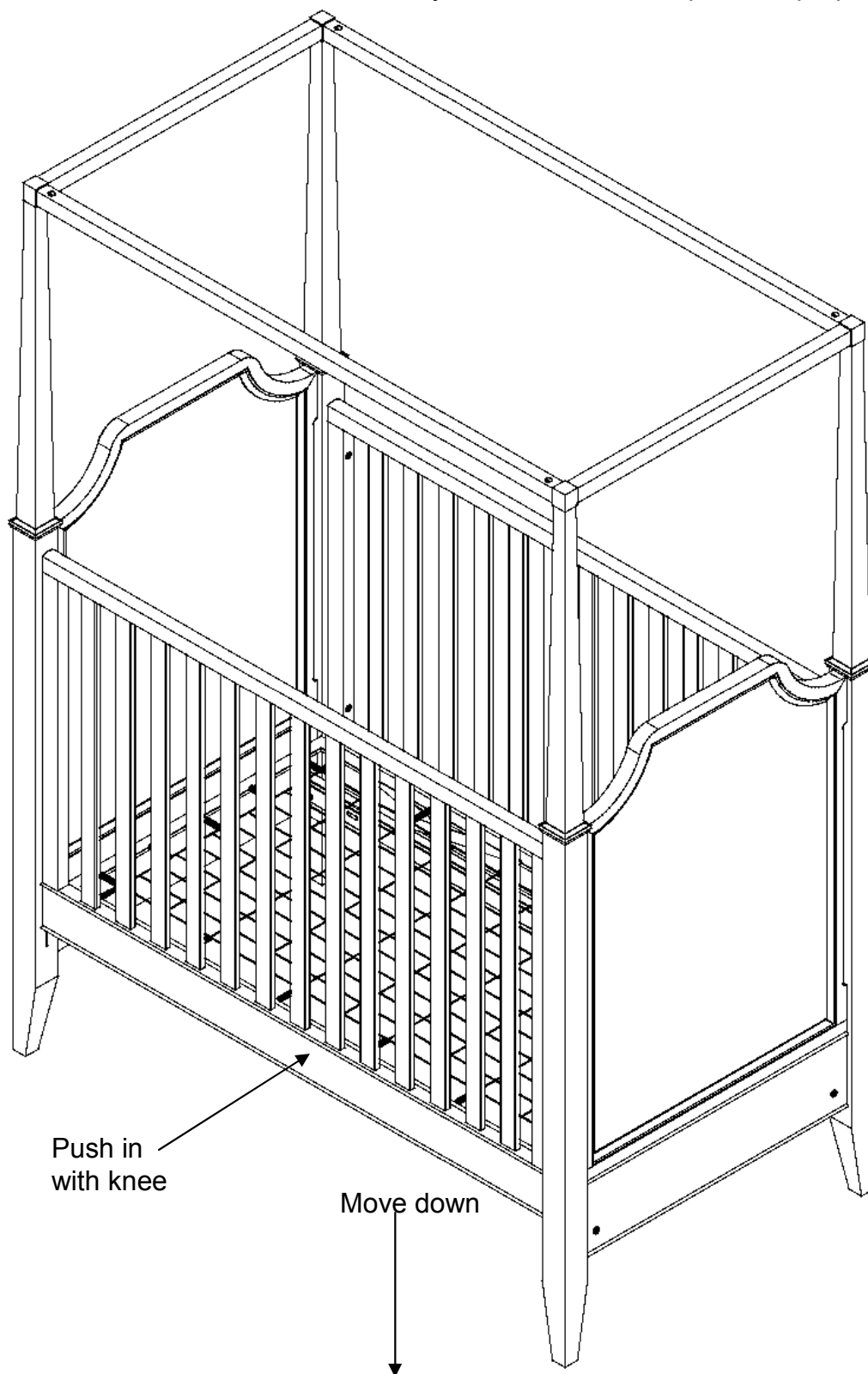
(DD) Allen Wrench (1 piece)



## STEP #7

### DROP SIDE OPERATION

Stand at the middle of the drop side and hold the top rail with one hand. Raise the drop side slightly to enable you to release the latch by pushing on the drop side with your knee. The drop side will now lower. Raise the drop side and it will automatically lock at the upper position. Always make sure the drop side is properly secured.



# STEP #8

## TODDLER RAIL ASSEMBLY

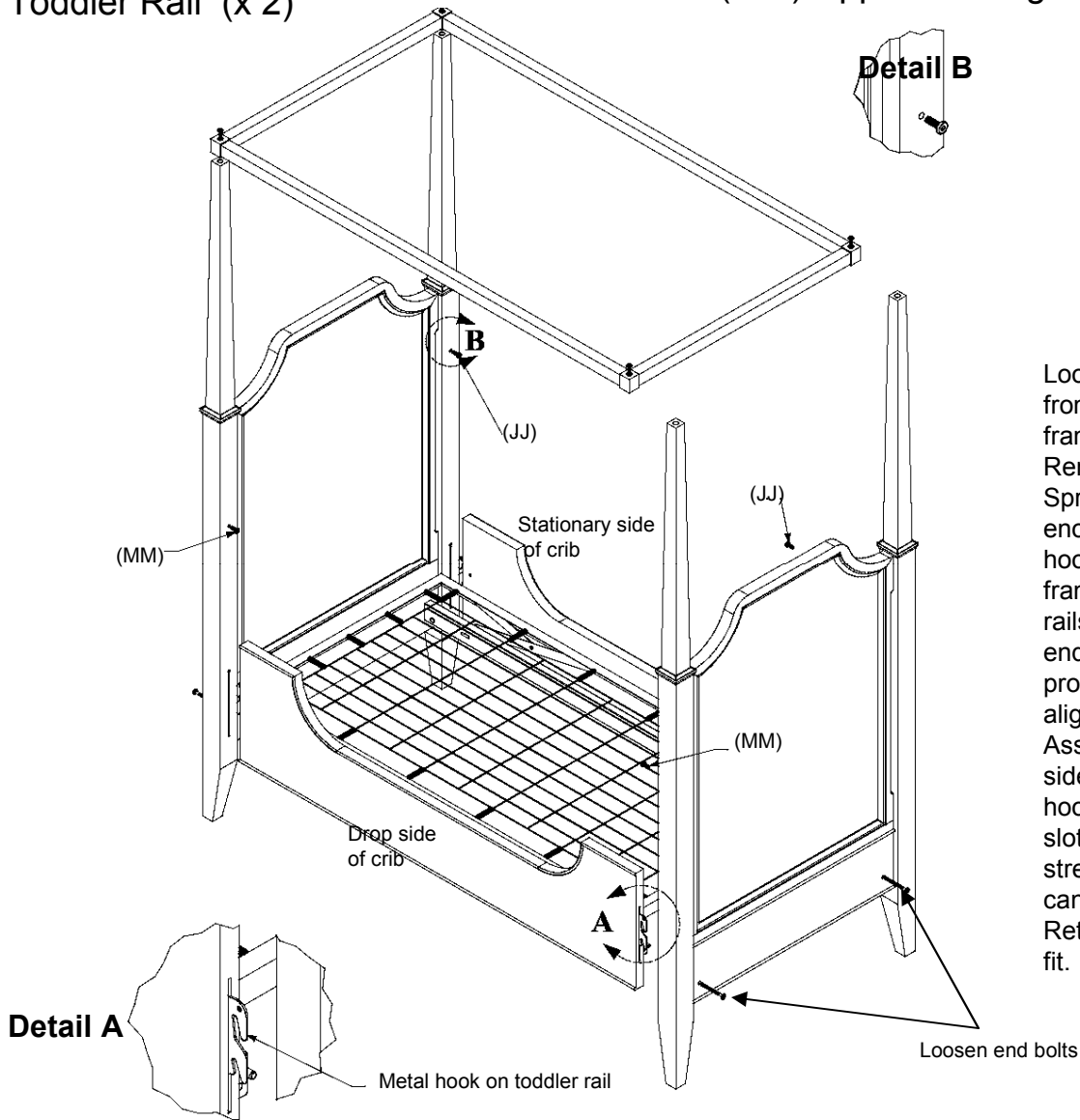
Toddler Rail (x 2)

### Hardware needed for Step #8:

(JJ) 1/2 in. Bolt (x 2 pieces)

(DD) Allen Wrench (1 piece)

(MM) Upper bushing screw (x 2 pieces)

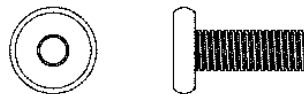


Note: Remove (KK) top bushings & (LL) bottom studs.

Loosen all tightened bolts from near and far side frames and canopy frame. Remove canopy frame. Spread front of crib open enough to get toddler rail hooks between crib side frames. Assemble toddler rails to side frame on far end by hooking into provided slots while aligning stretcher bar. Assemble toddler rails to side frame on near end by hooking into provided slots while aligning stretcher bar. Reattach canopy frame to top of crib. Retighten all bolts to snug fit.

### Hardware Step # 8

(JJ) 1/2 inch plug bolt (x 2 pieces)



(MM) Upper bushing screw (x 2 pieces)



(DD) Allen Wrench (1 piece)

