

Twin French Wing Headboard







PART LIST

A[1] HEADBOARD

B[1] PRE-ASSEMBLED BED FRAME (NOT INCLUDE)

Tools needed

-Philip head screwdriver (Not provided)

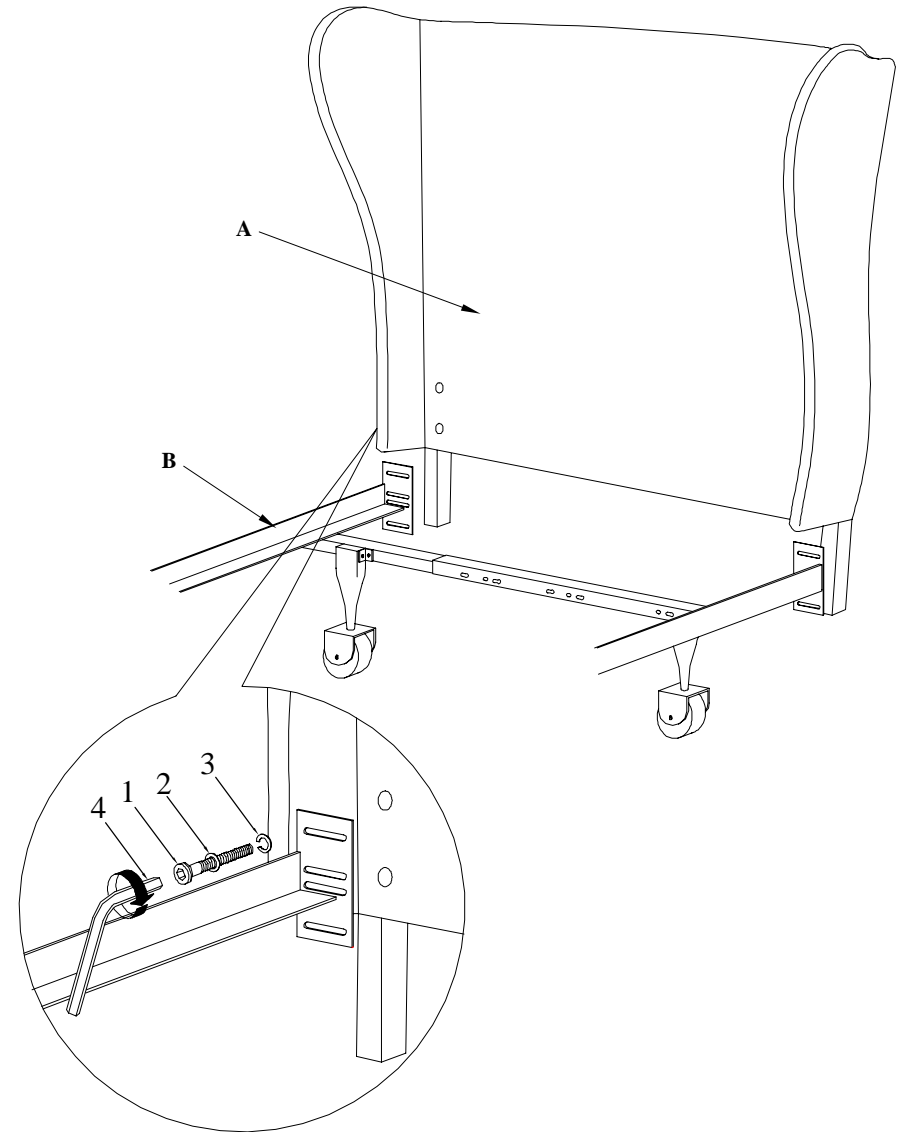
NO.	Description	Q'TY
1.	Allen bolt 	4Pcs
2.	Flat washer 	4Pcs
3.	Spring washer 	4Pcs
4.	Allen key 	1Pc

ASSEMBLY INSTRUCTION

Step 1:

1. Hold headboard[A] upright and tilted slightly towards the faceplates of the pre-assembled bed frame [B]
2. Align the slot in the faceplate with the pre-drilled holes in the leg of the headboard[A].
3. Slide Flat washer (2),spring washer (3)onto Allen bolt (1) then inset the Allen bolt (1) into the top hole on legs ,and use Allen key(4) to tighten the bolts into legs as shown in sketch.
4. Repeat for all pre-drilled holes.

STEP 1:



CARE INSTRUCTIONS:

- Dust often using a clean, soft, dry lint-free cloth.
- Blot spills immediately, and wipe with a clean, damp, cloth.
- We do not recommend the use of chemical cleansers, abrasives, or furniture polish on our finish.

Thank you for your purchase

www.rhbabyandchild.com Tel:1-800-762-1751