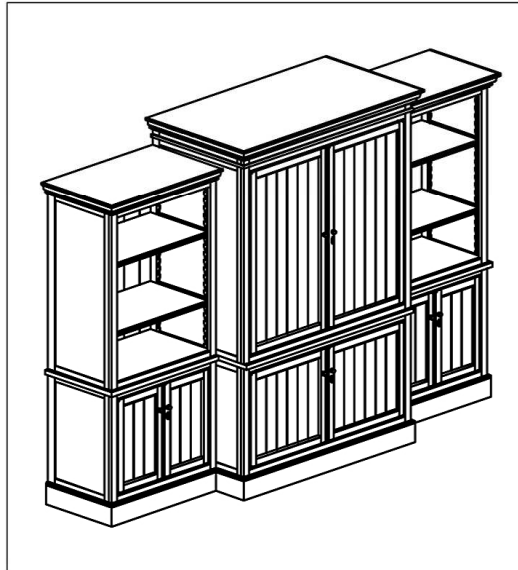


baby&child

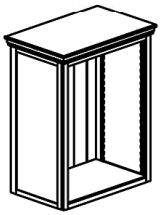
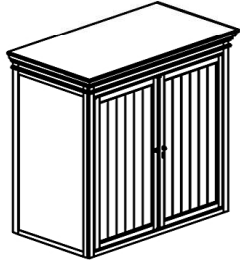
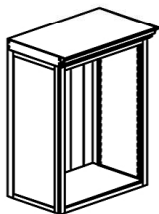
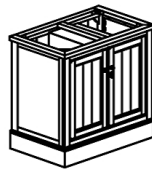
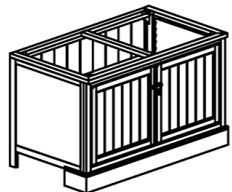




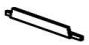
HARPER MEDIA WALL




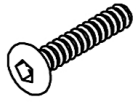


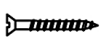
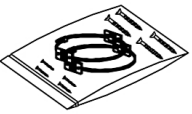


PRE - ASSEMBLY:

Please read all instructions before beginning assembly.
For ease of assembly, two adults are recommended.
Save all packing materials until completed assembling.

PARTS LIST :

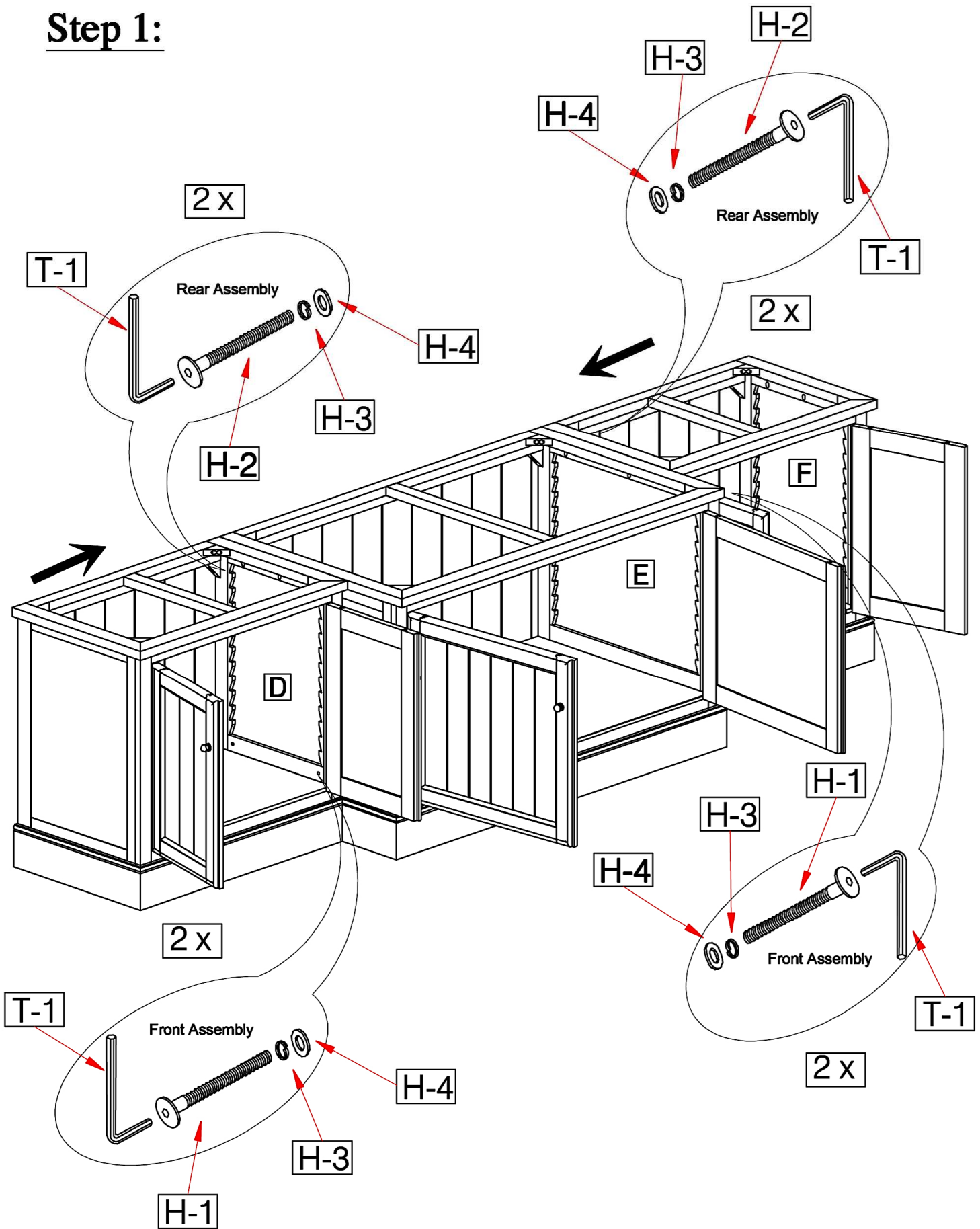
				
(A) Left Hutch -1 pc	(B) Middle Hutch -1 pc	(C) Right Hutch- 1 pc	(D) Left Base - 1 pc	(E) Middle Base - 1 pc
				
(F) Right Base -1 pc	(G) Large Shelf Panel -1 pc	(H) Small Shelf Panel -6 pcs	(I) Long Shelf Holder - 2 pcs	(J) Short Shelf Holder - 12 pcs

HARDWARE LIST :

			
(H-1) Allen Bolt 6 x 40- 8 pcs	(H-2) Allen Bolt 6 x 35- 8 pcs	(H-3) Lock Washer - 16 pcs	(H-4) Flat Washer - 16 pcs
			
(H-5) Screw 4 x 20 - 6 pcs	(H-6) Anti-Tip Kit - 2 pcs	(T-1) Allen Key - 1 pc	(T-2) Phillips Screw Driver - 1 pc (Not provided)

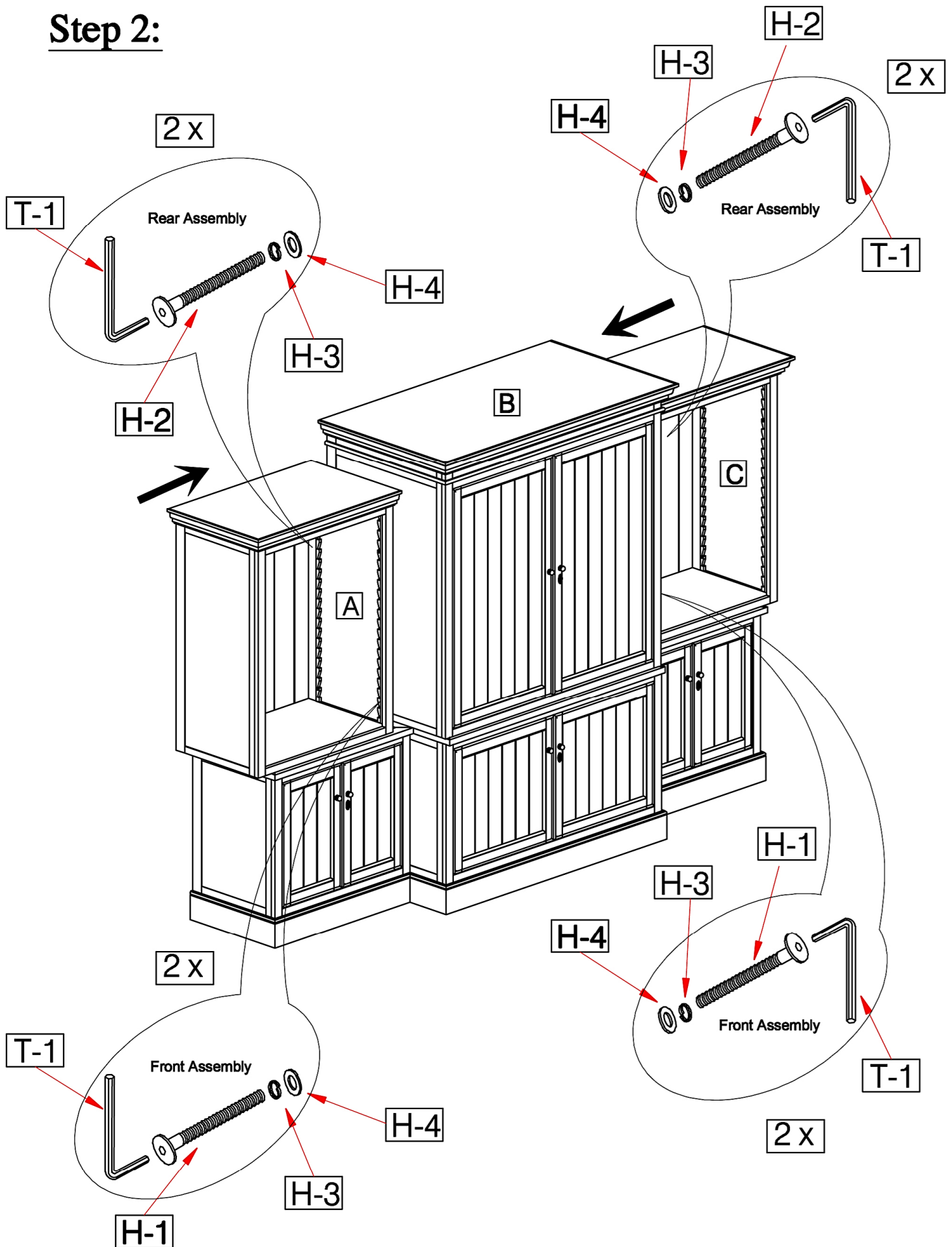
Assembly Steps

Step 1:



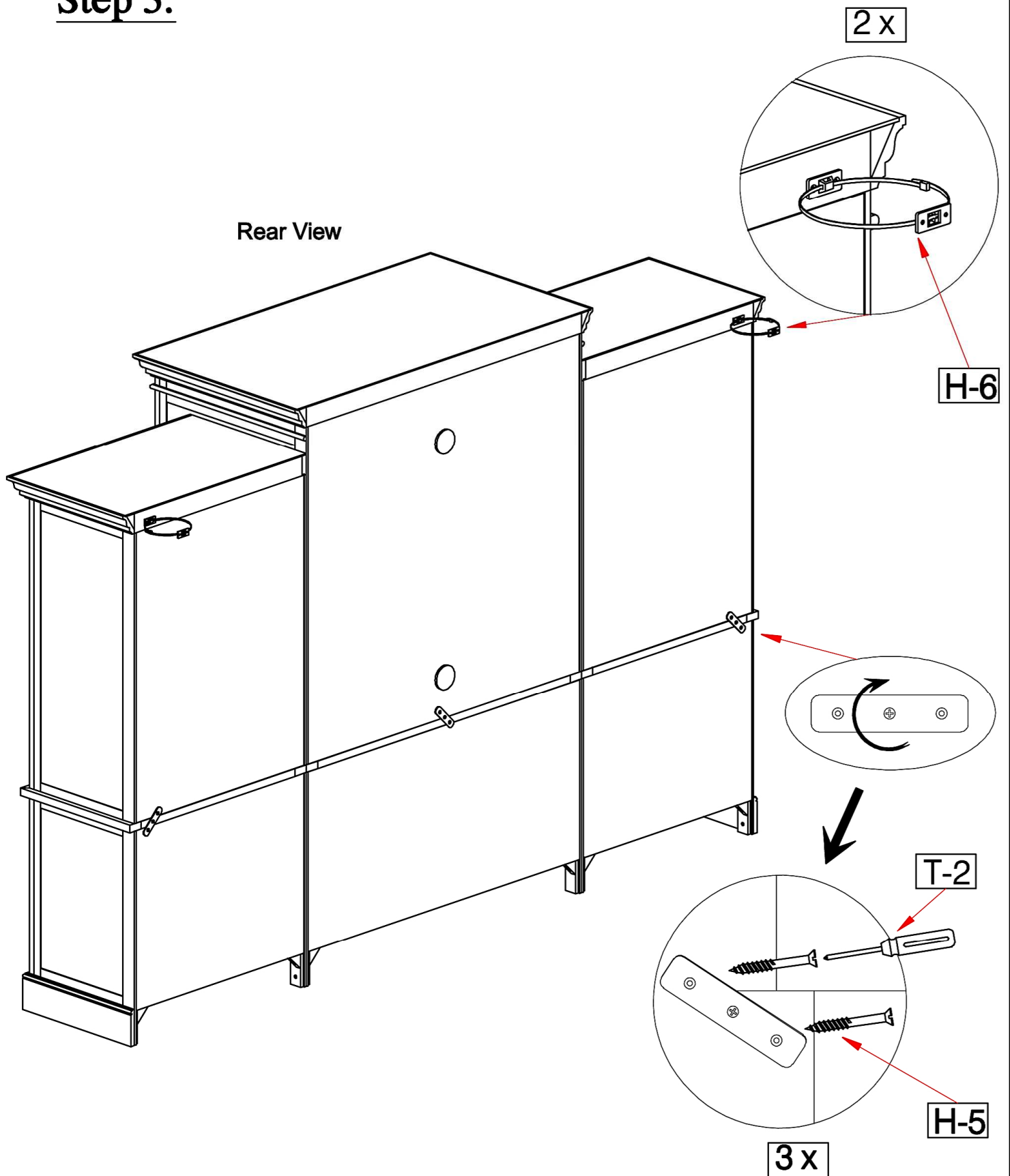
Position and secure Left Base (D), Right Base (F) to Middle Base (E) using Allen Bolt (H-1), Lock Washer (H-3) and Flat Washer (H-4) for install front side and Allen Bolt (H-2), Lock Washer (H-3) and Flat Washer (H-4) for install rear side. Tighten all Bolts using Allen Key (T-1).

Step 2:



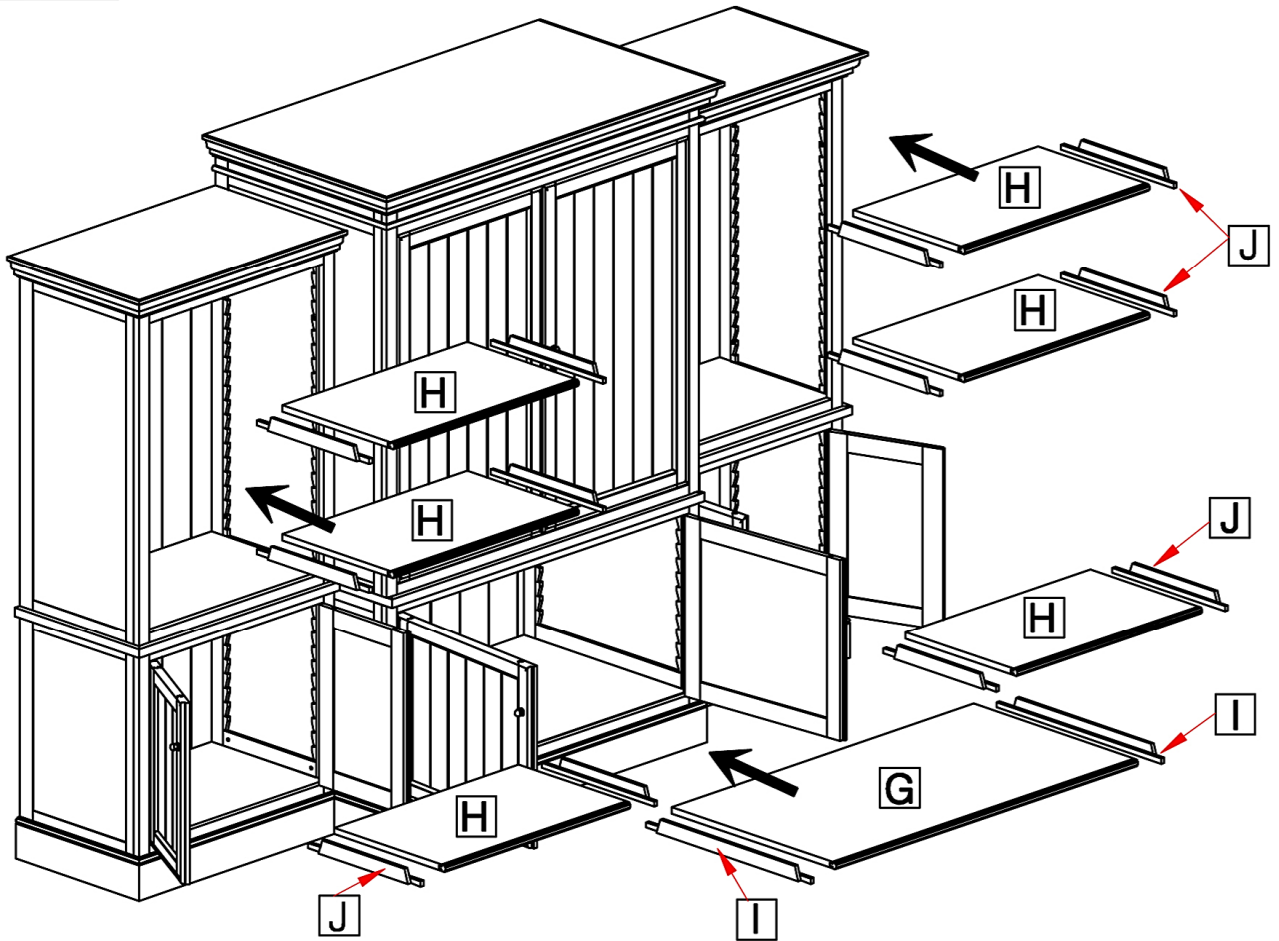
Place Hutches on the Base unit. Position and secure Left Hutch (A), Right Hutch (C) to Middle Hutch (B) using Allen Bolt (H-1), Lock Washer (H-3) and Flat Washer (H-4) for install front side and Allen Bolt (H-2), Lock Washer (H-3) and Flat Washer (H-4) for rear side. Tighten all Bolts using Allen Key (T-1).

Step 3:



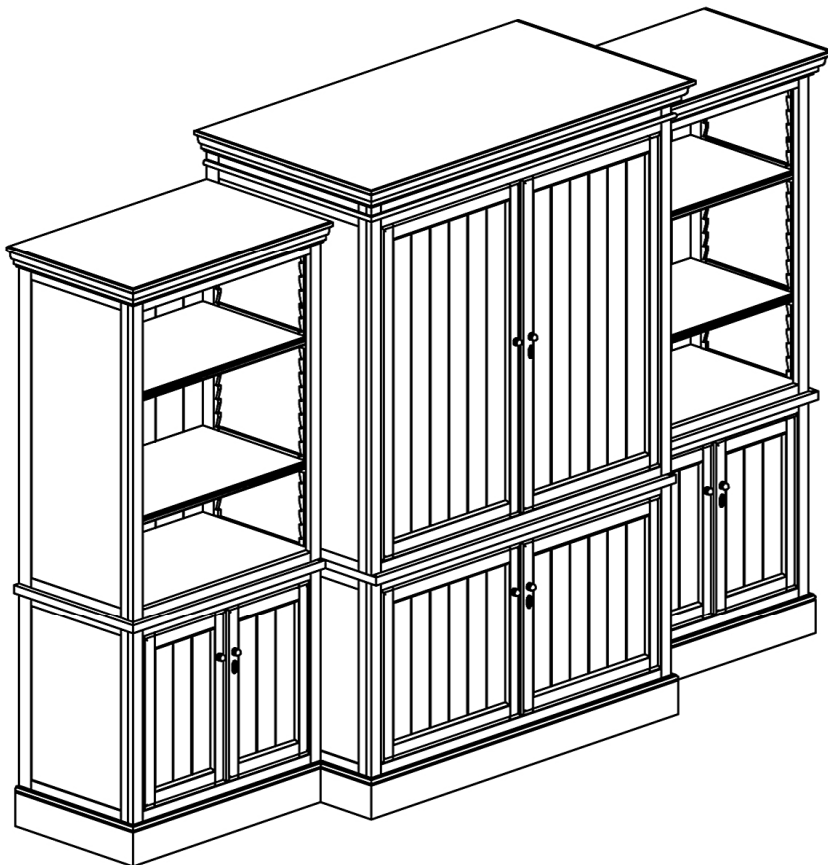
- Turn 3 Metal Plates-inserted at Top Base of frame, secure its to Base and Hutch with Screws (H-5).
- Install Anti-Tip Kit (H-6) to the top back corner of the Hutch as well as 2 pcs to the wall. Install them with Screws and Plastic Strings.

Step 4:



Place Shelf Panels (G, H) into the Base and Hutch by Shelf Holders (I, J).

Step 5:



The Cabinet is assembled and ready for use.