

baby & child RESTORATION HARDWARE

All Restoration Hardware bunk beds are designed to meet the highest safety standards and comply with all U.S. and Canadian Bunk Bed regulations.

Assembly Instructions Bunk Bed
baby&child

RESTORATION HARDWARE

Restoration Hardware Baby & Child
11640 Harret St, Suite B
Mira Loma ,CA 91752

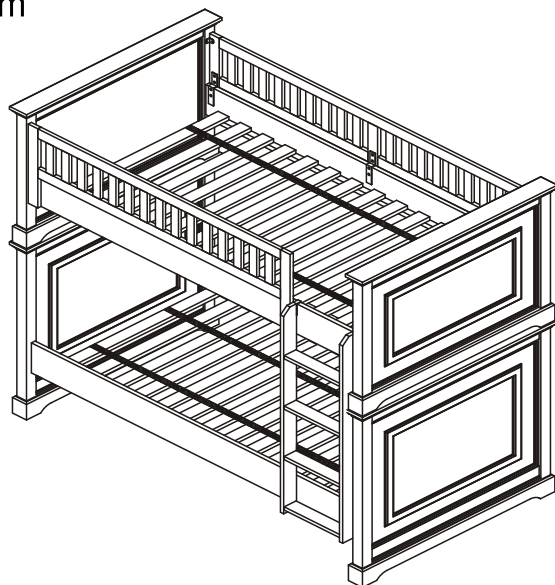
www.rhbabyandchild.com
Made in Vietnam

Model No: 102048/49/50/51 ESP TWIN
"Marlowe Collection"

Distributed in the U.S.A. by:
Restoration Hardware Baby & Child
11640 Harret St, Suite B
Mira Loma ,CA 91752
www.rhbabyandchild.com

Distributed in Canada by:
Restoration Hardware Canada, Inc.
1500-1055 West Georgia Street,
Vancouver, British Columbia V6E 4N7

⚠ WARNING: Read all instructions before assembling this product. **KEEP INSTRUCTIONS FOR FUTURE USE.**



CUSTOMER SERVICE

If you are missing parts or have any questions about this product, contact us first. You can also order parts by writing to the address above. Include the product model number, color, and a brief description of the part.
Call 1-800-762-1751

CARE AND CLEANING

DO NOT use abrasive chemicals for cleaning. Dust often using a clean, soft dry cloth. Rinse and dry thoroughly. If the Bunk bed is to be stored, store in a cool dry place and carefully package all original hardware to protect from loss.

IMPORTANT SAFETY INFORMATION FOR BUNK BED

1. Follow the information on the **WARNINGS** appearing on the upper bunk end structure and on the carton. **DO NOT REMOVE WARNING LABEL FROM BED.**
2. Always use the specified size mattress or mattress support, or both to help prevent the likelihood of entrapment or falls.
3. Surface of mattress must be at least 5 inches below the upper edge of guardrails on top bunk.
4. Do not allow children under 6 years of age to use the upper bunk.
5. Prohibit more than one person on upper bunk.
6. Periodically check and ensure that the guardrails, ladder, and other components are in their proper position, free from damage, and that all connectors are tight.
7. Do not allow horseplay on or under the bed and prohibit jumping on the bed.
8. Always use the ladder for entering and leaving the upper bunk.
9. Do not use substitute parts. Contact Restoration Hardware for replacement parts
10. Use of a night light may provide added safety precaution for a child using the upper bunk.
11. Use guardrails on both sides of the upper bunk.
12. If the bunk bed will be placed next to a wall, the guardrail that runs the full length of the bed should be placed against the wall to prevent entrapment between the bed and the wall.
13. The use of water flotation mattresses is prohibited.
14. **STRANGULATION HAZARD** - Never attach or hang items to any part of the bunk bed that are not designed for use with the bed: for example, but not limited to, hooks, belts, and jump ropes.
15. Keep these instructions for future reference.

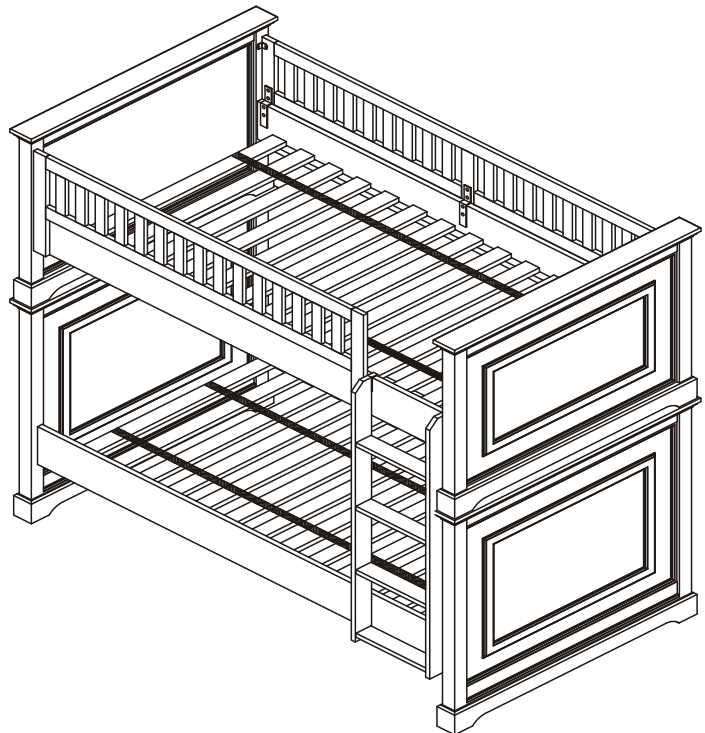
⚠ WARNING

TO HELP PREVENT SERIOUS OR FATAL INJURIES FROM ENTRAPMENT OR FALLS:

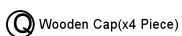
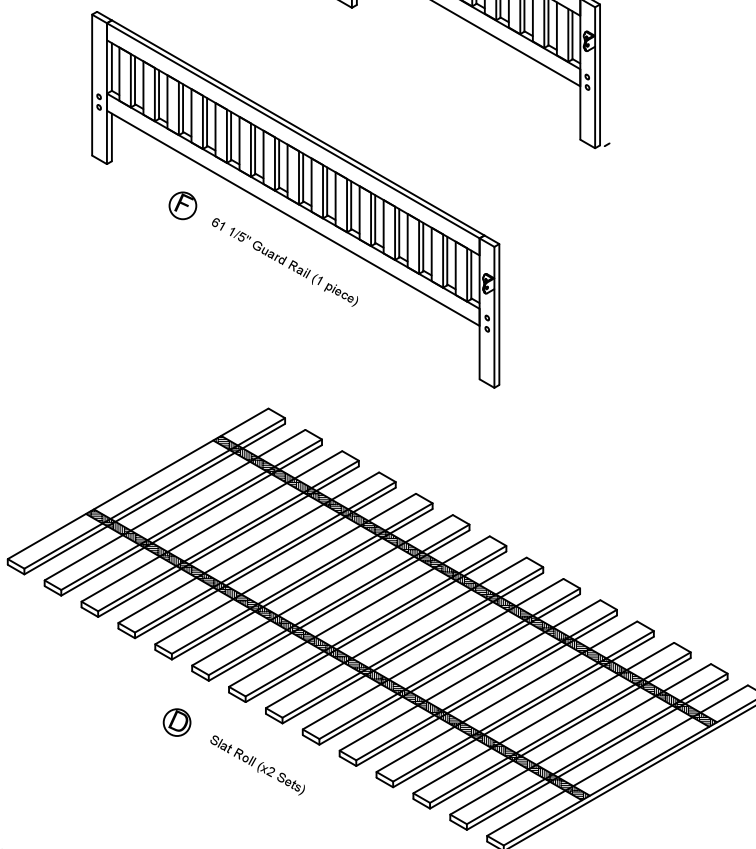
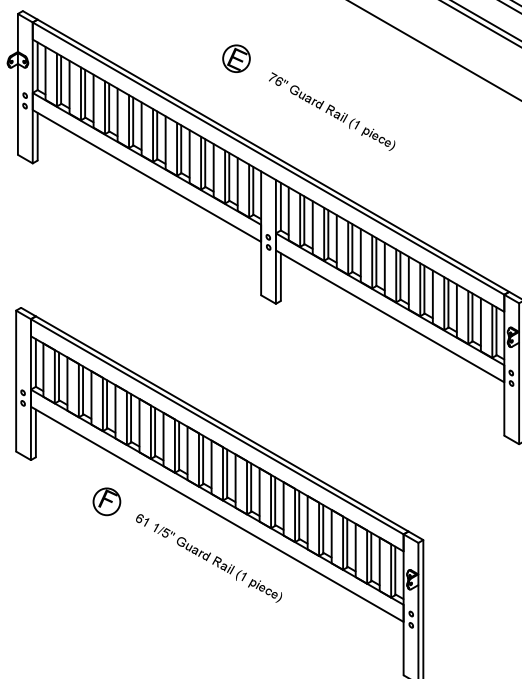
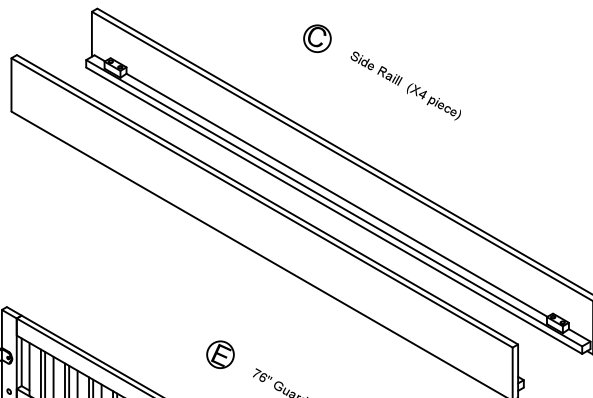
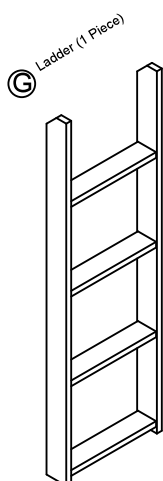
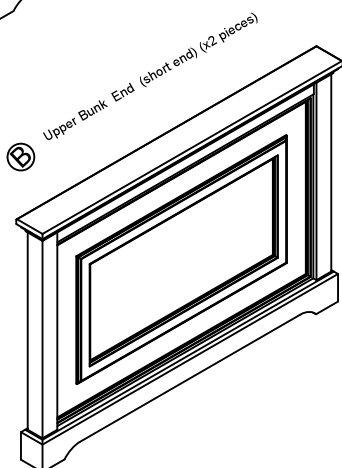
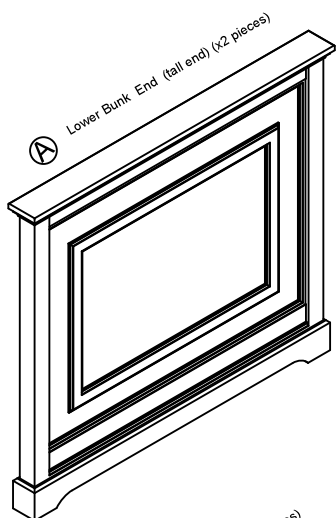
Never allow a child under 6 years on upper bunk.
Use only mattress which is 74"-75" long and 37 1/2"-38 1/2" wide on upper bunk.
Ensure thickness of mattress and foundation combined does not exceed 12" and mattress is at least 5" below upper edge of guardrails.
Use guardrails on both sides of upper bunk.
Prohibit horseplay on or under bed(s).
Prohibit more than one person on upper bunk.
Use ladder for entering and leaving upper bunk.

STRANGULATION HAZARD - Never attach or hang items to any part of the bunk bed that are not designed for use with the bed: for example, but not limited to, hooks, belts, and jump ropes.

DO NOT REMOVE THIS LABEL





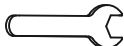



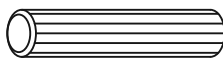




Parts Identification



FOR TWIN BED
CONFIGURATION ONLY

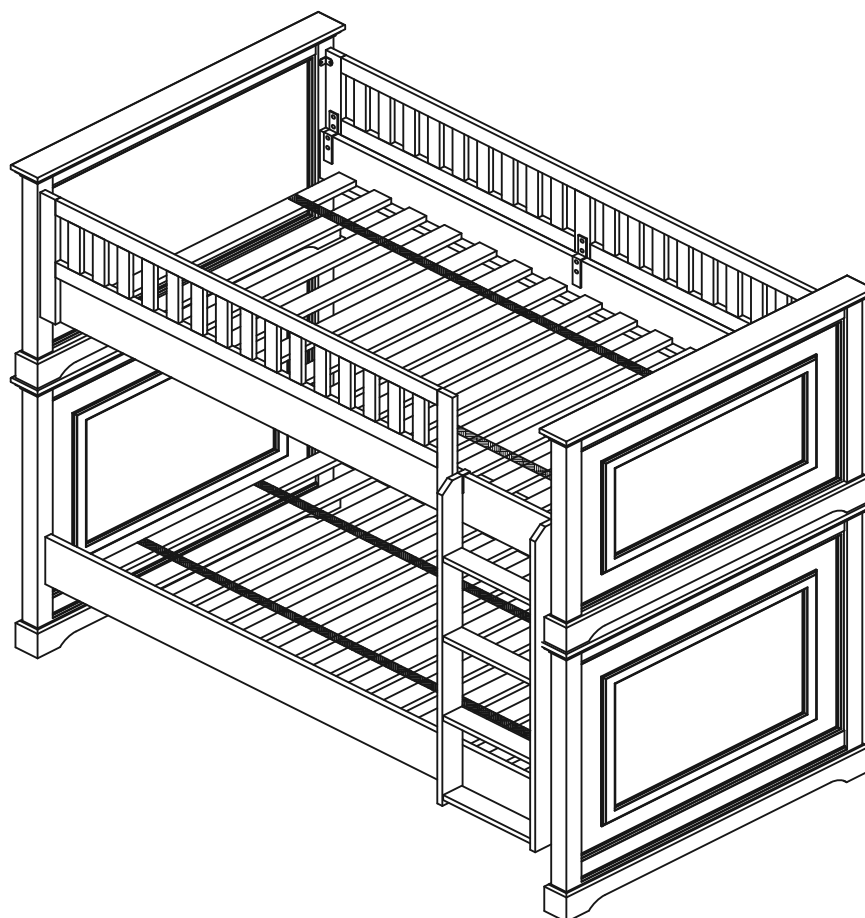
HARDWARE INCLUDED:

HARDWARE INCLUDED:

		
H -Thread rod 5/16"x88mm 16 pieces	I -Curved slotted washer 35x17 16 pieces	J - Wrench 5/16" 1 piece
		
K - Guardrail oval metal plate 5 pieces	L - Guardrail L bracket & oval metal plate screw #3x5/8" 13 pieces	M - Ladder & Guardrail metal bracket screw #8x3/4" 32 pieces
		
N - Dowel pin 4" long x4/5" diameter 4 pieces	O - Slat roll screw #8x1 1/4" 8 pieces	P - Ladder bracket - 4 pieces
		
R - Metal bracket - 5 pieces	S - Guardrail L bracket - 3 pieces	

TOOLS NEEDED:

Philip Screwdriver(Not included)



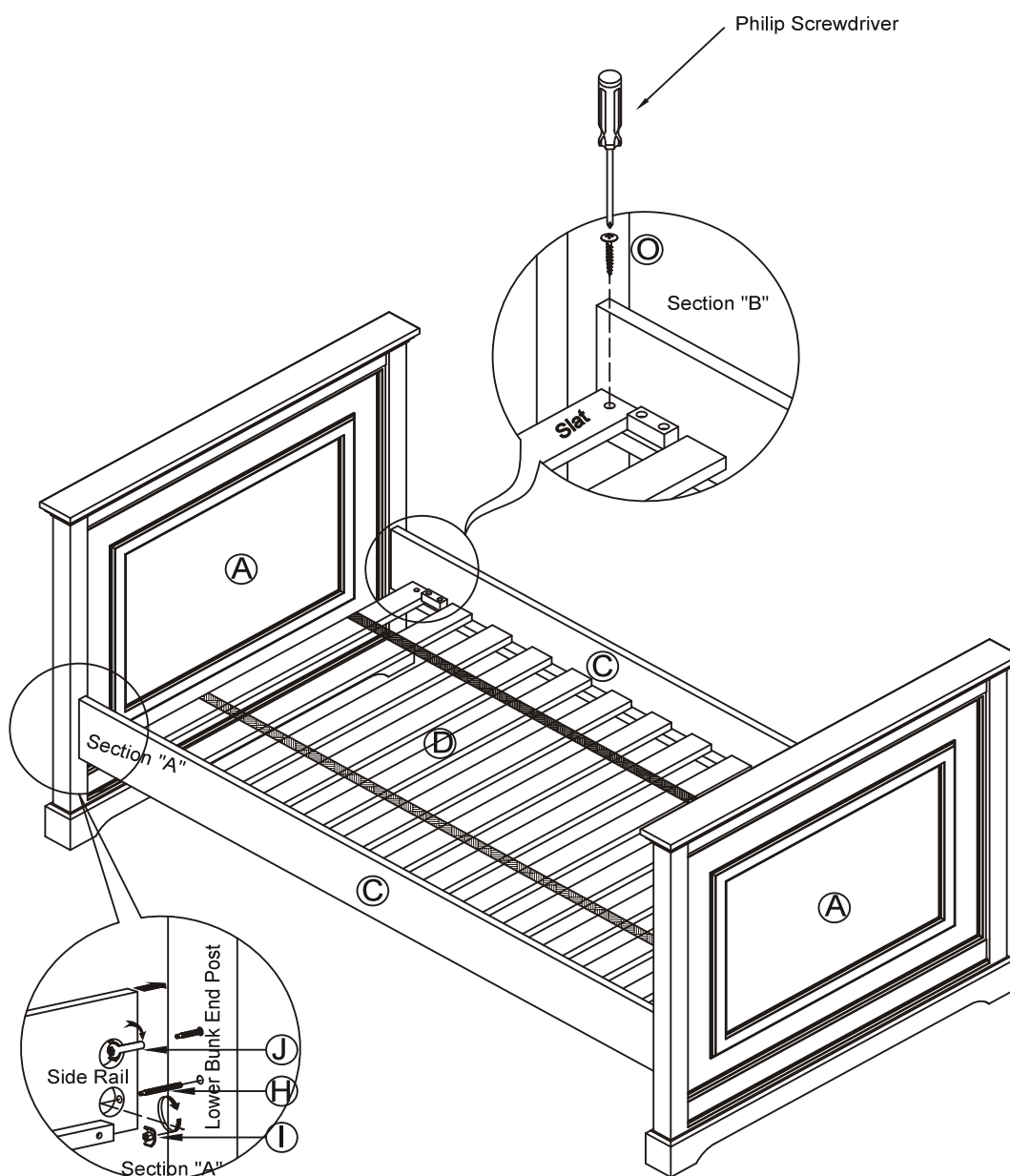
Assembly Instructions

Note: 2 people are recommended for assembly of your bunk bed**

STEP 1: Lower Bunk Assembly Instructions:

1. Attach the side rails (C) to the lower bunk bed ends (A) (tall ends) using thread rods (H), curved slotted washers (I) and wrench (J) that is provided (Refer to Section "A"). Place thread rods in the holes on the lower bunk bed post. Align the side rails with the holes and fasten tightly with curved slotted washers using the wrench provided.

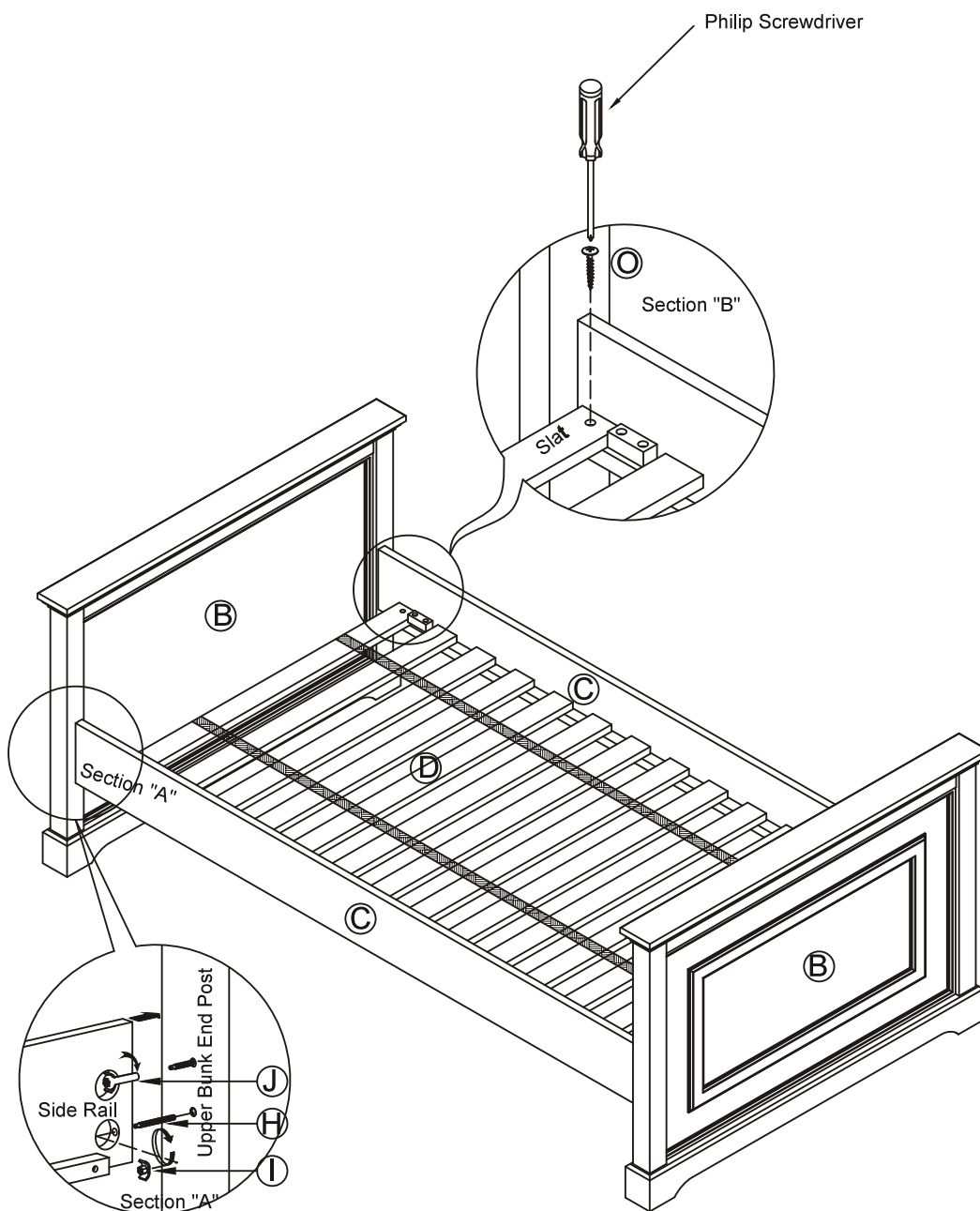
2. Lay the slat roll (D) in between the side rails (C) and use slat roll screws #8x1 1/4" (O) to fasten two end slats to side rails with a screwdriver (Refer to Section "B")



STEP 2: Upper Bunk Assembly Instructions:

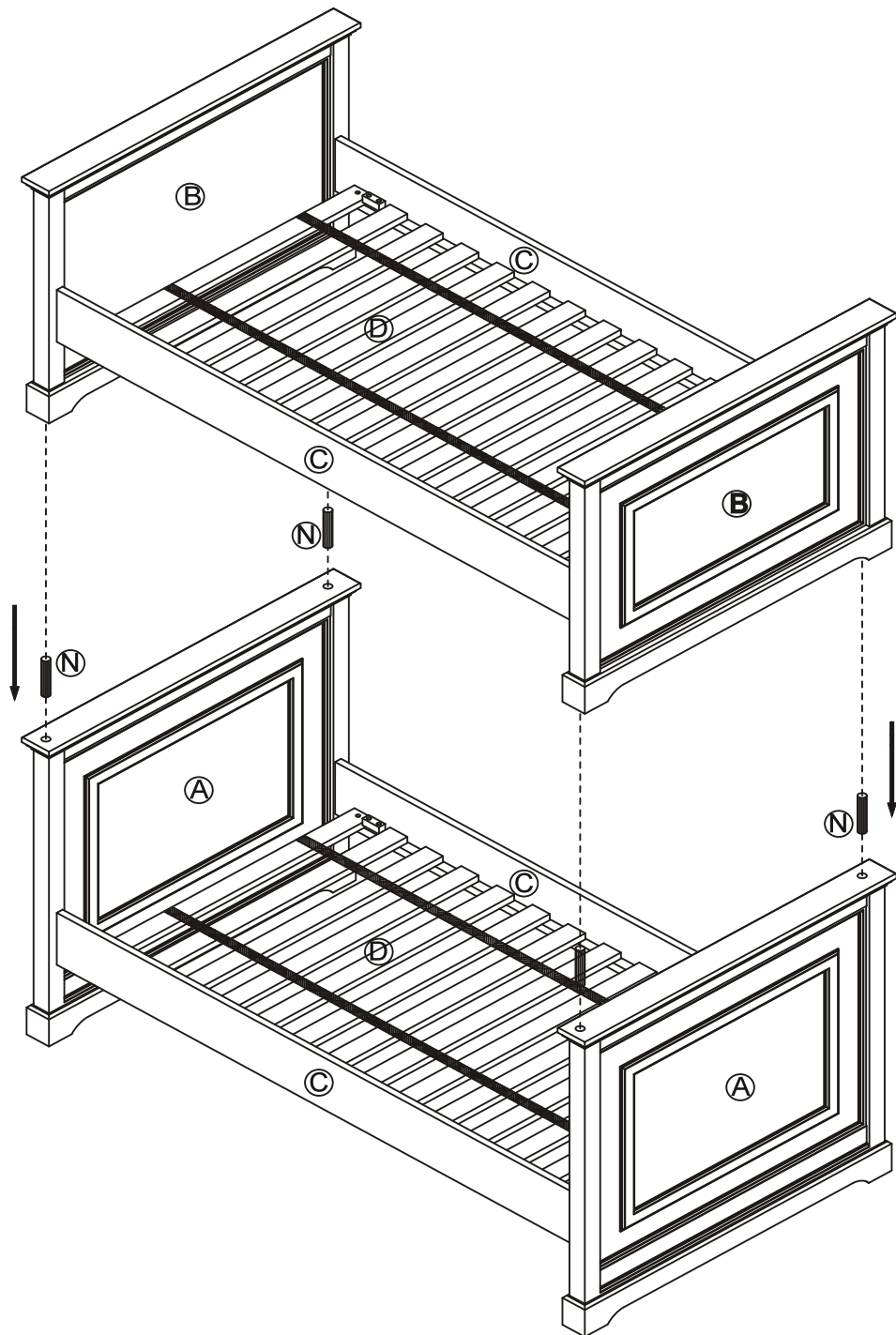
1. Attach the side rails (C) to the upper bunk bed ends (B) (short ends) using thread rods (H), curved slotted washers (I) and wrench (J) that is provided (Refer to Section "A"). Place thread rods in the holes on the lower bunk bed post. Align the side rails with the holes and fasten tightly with curved slotted washers using the wrench provided.

2. Lay the slat roll (D) in between the side rails (C) and use slat roll screws #8x1 1/4" (O) to fasten two end slats to side rails with a screwdriver (Refer to Section "B")



STEP 3: Lower & Upper Bunk Assembly Instructions:

1. Install 4" long x 4/5" diameter wooden dowels into top of the posts of the lower bunk
2. Carefully place the upper bed which already assembled on top of the lower bed

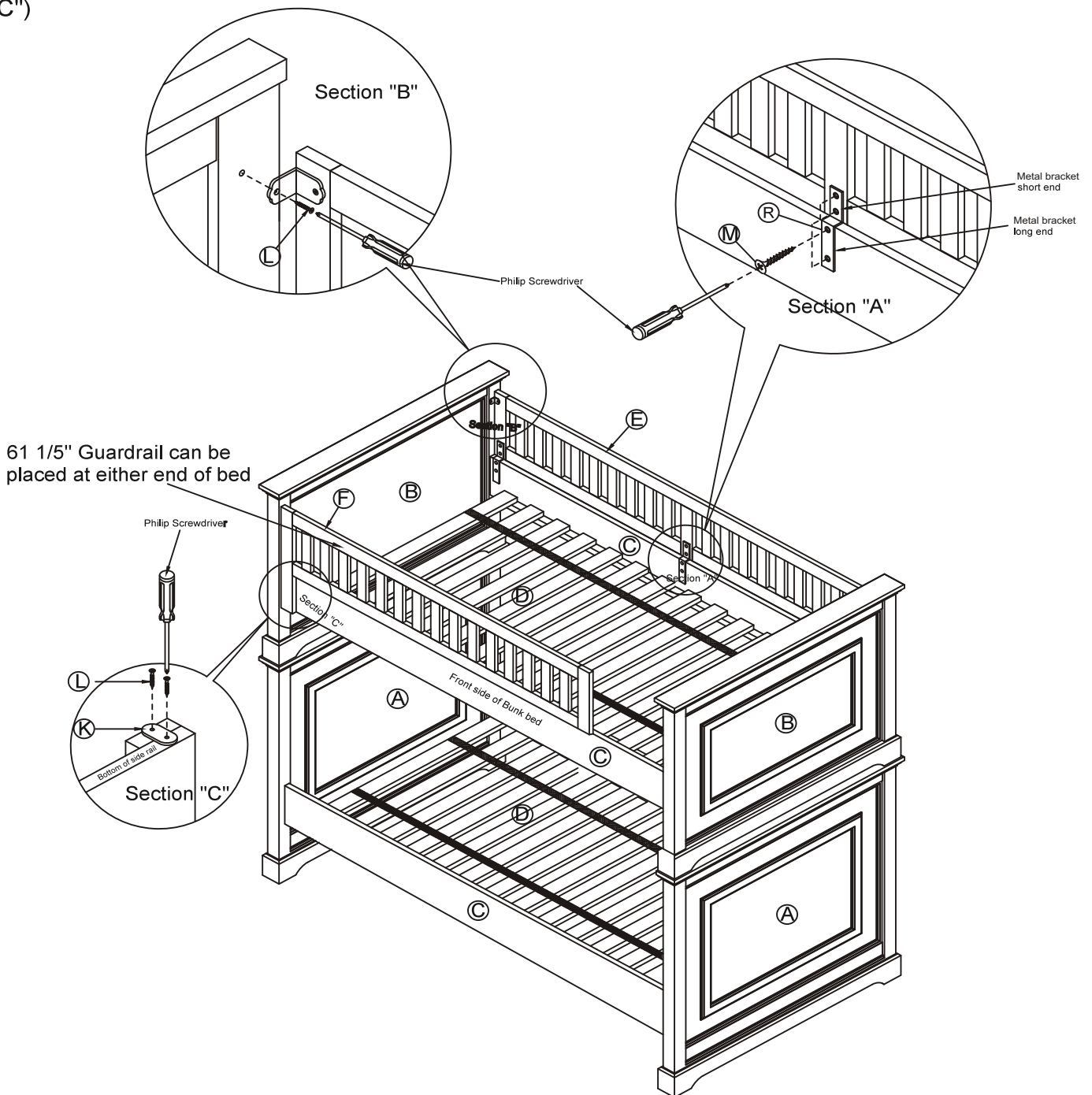


STEP 4: Guardrail Installation Instructions:

1. Install 2 guardrails (E&F) as indicated below and in Section "A". The 61-1/5" guard rail(F) can be installed at either end of the bed that you desire. Attach guard rail (E&F) to be in position and fasten metal bracket (R) short end two holes with 8x3/4" screws into pre-drill holes in the guard rail(E&F) first, and then fasten the metal bracket long end two holes with 8x3/4" screws in the slat bearers on the side rails (Refer to Section "A") .the metal bracket on the guard rails fit into slots in the slat bearers on the side rails (C) (Refer to Section "A"). Secure all brackets with #8x3/4" screws(M) that are provided.

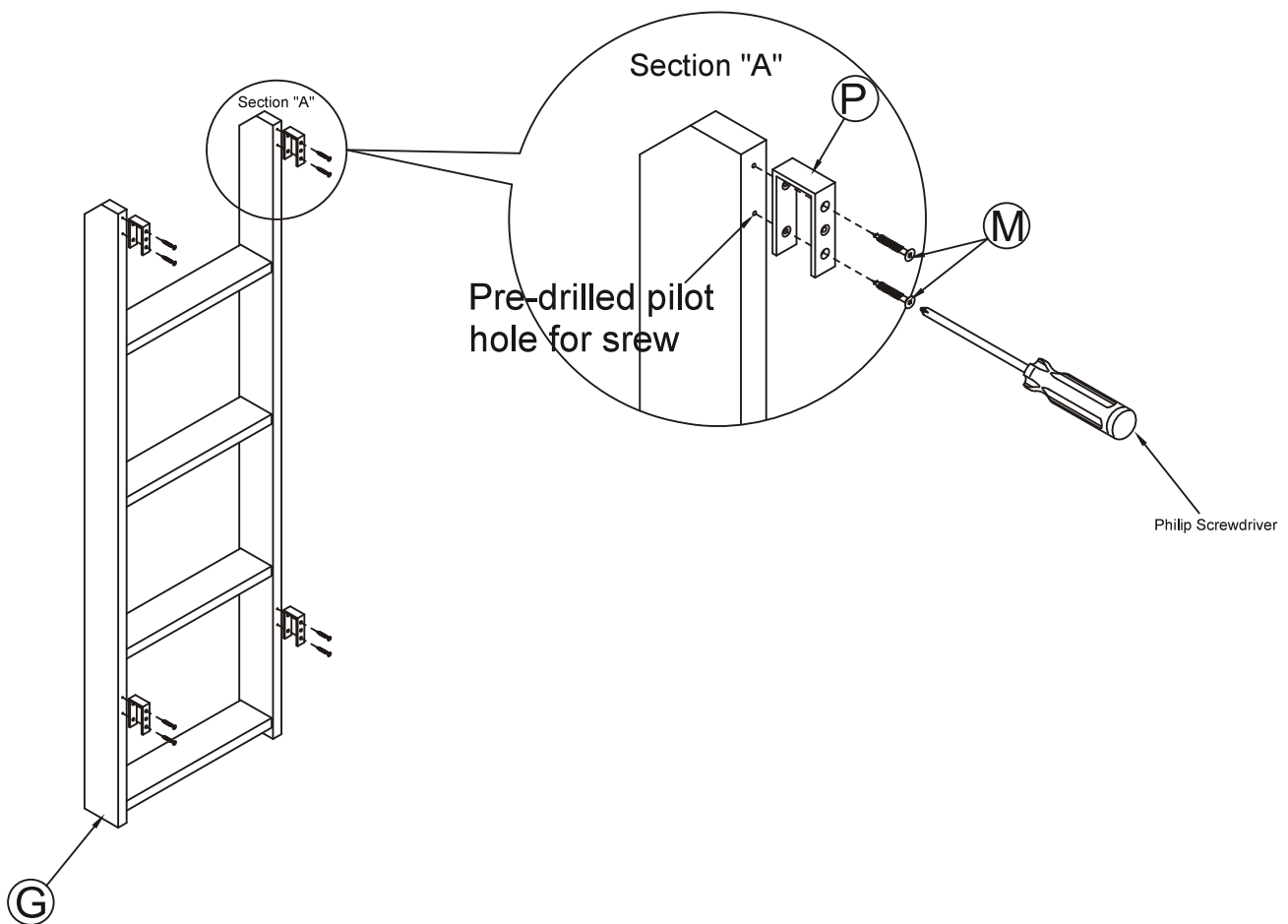
2. Attach the L brackets (S) on the ends of the guardrails to posts of the upper bunk by using the #3x5/8" screws(L) that are supplied with the guardrails and the screwdriver (Refer to Section "B"). Note: The L bracket (S) on the 61-1/5" guardrail can be attached to either end depending on which end of the bed you want your ladder to be.

3. Place and hold the oval metal plate(K) on the bottom of the guardrails for five positions and use oval metal plate screws #3x5/8" (L) to secure guardrails and siderails together(Refer to Section "C")



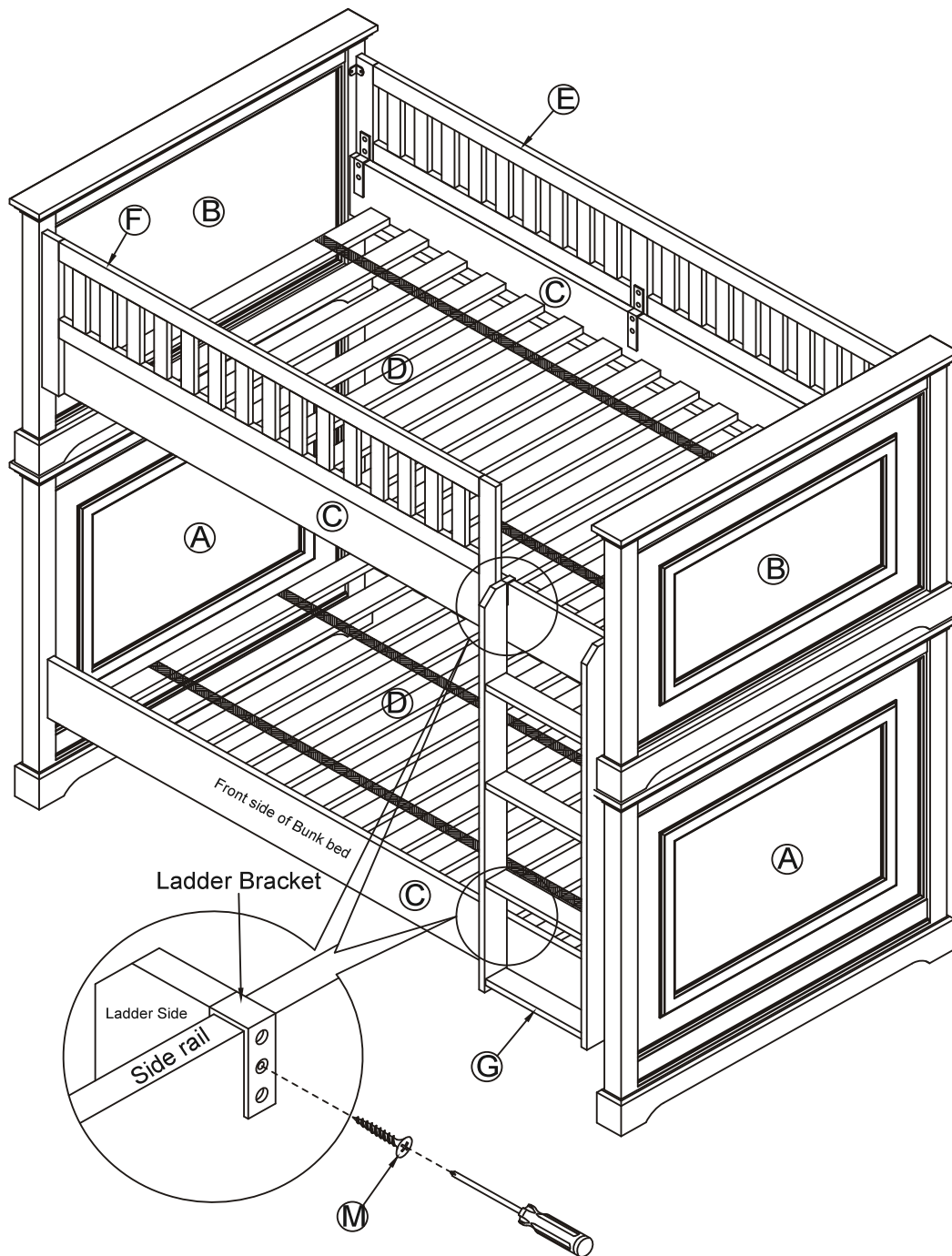
STEP 5: Attach Ladder Brackets:

1. Lay ladder flat with the pre-drilled pilot holes facing upward on the carpeted floor or soft pad to avoid scratching the finish while attaching the ladder brackets (P) to the ladder (G)
2. Align one of the ladder brackets (P) with the pre-drilled pilot holes on the inside of the top of the ladder side (Refer to Section "A"). *Note : STRAIGHT LEG MUST BE ON BOTTOM*
Attach the bracket with 2 of the ladder screw #8x3/4" (M) that are provided.
*Note: MAKE SURE TO TIGHTEN SCREWS SO THAT THE HEAD OF THE SCREWS FIT INTO THE HOLES IN THE BRACKET. THIS WILL ASSURE THAT THE SCREWS WILL NOT SCRATCH THE FINISH ON YOUR SIDE RAIL.
3. Repeat Step 2 to attach the ladder bracket to the other ladder side.



STEP 6: Ladder Attachment Instructions:

1. Position the ladder in the opening between the 61-1/5" guardrail and the post of the upper bunk. put the ladder on the upper bed siderail (Refer to Section "A") and use ladder screws #8x3/4" (M) to secure the ladder to the upper siderails with two ends firmly.
2. Repeat step 1 to secure the ladder metal brackets (P) on the bottom of ladder to lower bunk siderails also.



STEP 7: Install Bedding:

BEDDING SPECIFICATION:

The following size mattress and Foundation are specified for use with this Bunkbed:

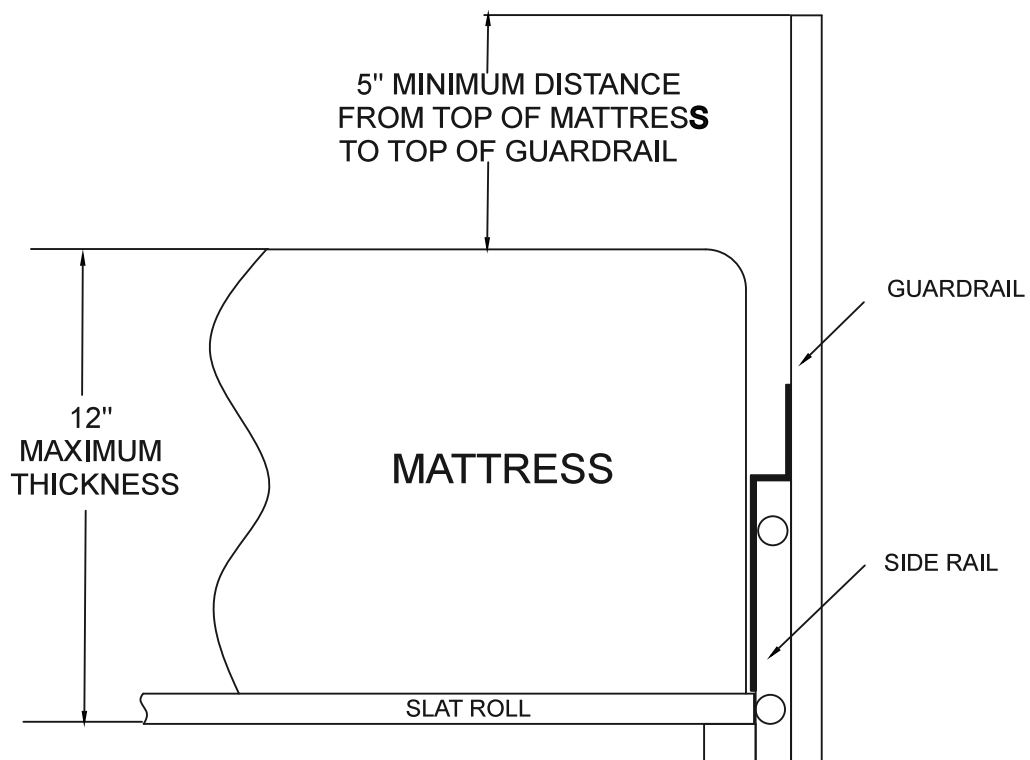
MATTRESS:37-1/2" to 38-1/2" X74" to 75"x9"

SLAT ROLL:CONSISTING OF 14 SLATS-2-1/2"X39-1/2"

****Note:**MATTRESS AND SLAT ROLL MUST NOT EXCEED 12" TOTAL THICKNESS

Be sure to adhere to these **BEDDING SPECIFICATIONS**,In order to avoid the possibility of falling or entrapment, **THESE SPECIFICATIONS MUST BE STRICTLY ADHERED TO!**

UPPER BUNK MATTRESS DIAGRAM



Twin Bed Assembly Instruction:

Bunk bed can convert to two twin beds, assemble beds following below instructions:

1. Attach the side rails (C) to the tall end(headboard) (A) & short end (footboard) (B) using thread rods(H), curved slotted washers(I) and wrench(J) that is provided(Refer to Section "A"). Place thread rods in the holes on the tall & short bed post . Align the side rails with the holes and fasten tightly with curved slotted washers using the wrench provided.
2. Lay the slat roll (D) in between the side rails (C) and use slat roll screws #8x1 1/4" (O) to fasten two end slats to side rails with a screwdriver (Refer to Section "B").
3. Put the wooden caps (Q) on the tall end (headboard).

