

baby&child

RESTORATION HARDWARE

All Restoration Hardware bunk beds are designed to meet the highest safety standards and comply with all U.S. and Canadian Bunk Bed regulations.

Assembly Instructions Bunk Bed

baby&child

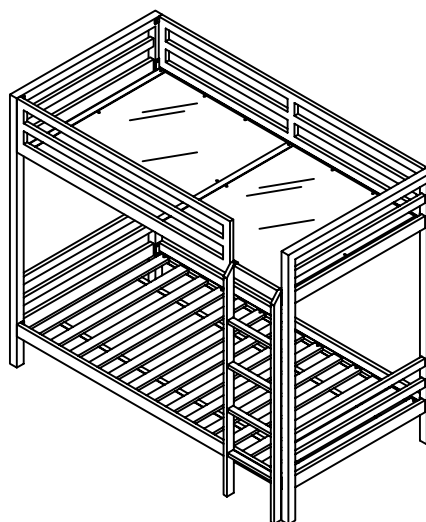
RESTORATION HARDWARE

Restoration Hardware Baby & Child
11640 Harrel Street Suite B
Mira Loma, CA 91752
rhhbabyandchild.com
Made in China

Model No: 102025/6 GMTL TWIN Bunk Bed
"Industrial Collection"

Distributed in the U.S.A. by:
Restoration Hardware Baby & Child
11640 Harrel Street Suite B
Mira Loma, CA 91752
rhhbabyandchild.com

Distributed in Canada by:
Restoration Hardware Canada, Inc.
1500-1005 West Georgia Street,
Vancouver, British Columbia V6E 4N7



⚠ WARNING: Read all instructions before assembling this product. **KEEP INSTRUCTIONS FOR FUTURE USE.**

CUSTOMER SERVICE

If you are missing parts or have any questions about this product, contact us first. You can also order parts by writing to the address above. Include the product model number, color, and a brief description of the part. Call 1-800-762-1751

CARE AND CLEANING

DO NOT use abrasive chemicals for cleaning. Dust often using a clean, soft dry cloth. Rinse and dry thoroughly. If the Bunk Bed is to be stored, store in a cool dry place and carefully package all original hardware to protect from loss.

IMPORTANT SAFETY INFORMATION FOR BUNK BED

1. Follow the information on the **WARNINGS** appearing on the upper bunk end structure and on the carton.
2. Always use the specified size mattress or mattress support, or both to help prevent the likelihood of entrapment or falls.
3. Surface of mattress must be at least 5 inches below the upper edge of guardrails on top bunk.
4. Do not allow children under 6 years of age to use the upper bunk.
5. Prohibit more than one person on upper bunk.
6. Periodically check and ensure that the guardrails, ladder, and other components are in their proper position, free from damage, and that all connectors are tight.
7. Do not allow horseplay on or under the bed and prohibit jumping on the bed.
8. Always use the ladder for entering and leaving the upper bunk.
9. Do not use substitute parts. Contact Restoration Hardware for replacement parts.
10. Use of a night light may provide added safety precaution for a child using the upper bunk.
11. Use guardrails on both sides of the upper bunk.
12. If the bunk bed will be placed next to a wall, the guardrail that runs the full length of the bed should be placed against the wall to prevent entrapment between the bed and the wall.
13. The use of water flotation mattress is prohibited.
14. **STRANGULATION HAZARD** - Never attach or hang items to any part of the bunk bed that are not designed for use with the bed: for example, but not limited to, hooks, belts, and jump ropes.
15. Keep these instructions for future reference.

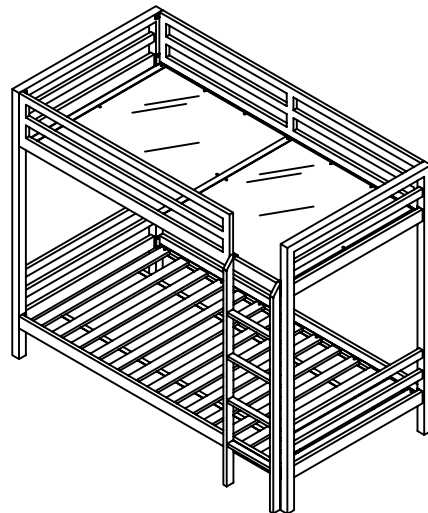
⚠ WARNING

To help prevent serious or fatal injuries from entrapment or falls:

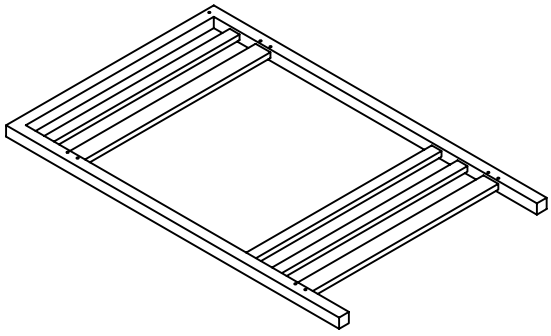
- Never allow a child under 6 years on upper bunk.
- Use only mattress which is 74"-75" long and 37 1/2"-38 1/2" wide on upper bunk.
- Ensure thickness of mattress and foundation combined does not exceed 7" and mattress is at least 5" below upper edge of guardrails.
- Use guardrails on both sides of upper bunk.
- Prohibit horseplay on or under bed(s).
- Prohibit more than one person on upper bunk.
- Use ladder for entering and leaving upper bunk.

STRANGULATION HAZARD – Never attach or hang items to any part of the bunk bed that are not designed for use with the bed; for example, but not limited to, hooks, belts, and jump ropes.

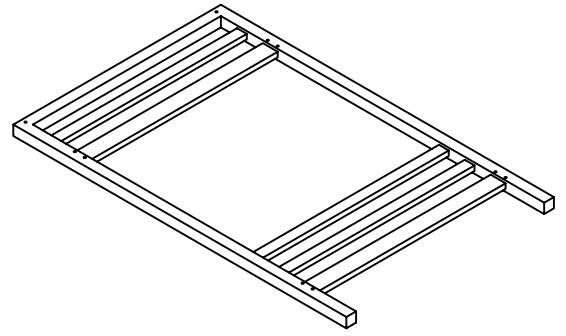
DO NOT REMOVE THIS LABEL



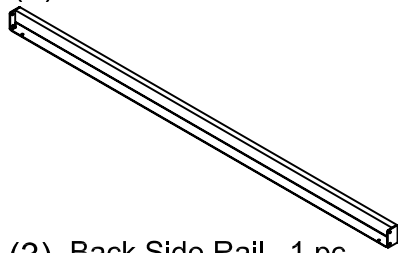
PARTS LIST



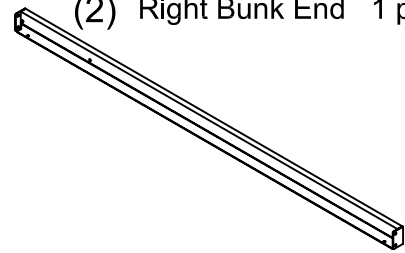
(1) Left Bunk End 1 pc



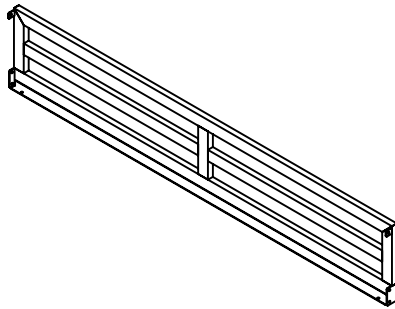
(2) Right Bunk End 1 pc



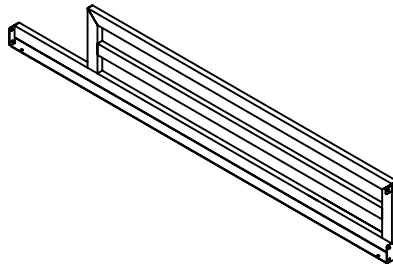
(3) Back Side Rail 1 pc



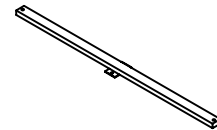
(4) Front Side Rail 1 pc



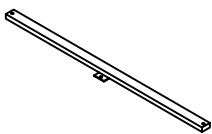
(5) Back Guard Rail 1 pc



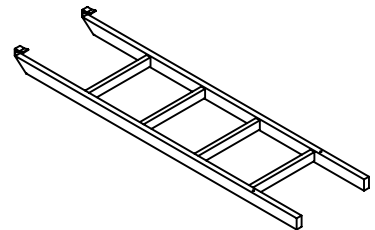
(6) Front Guard Rail 1 pc



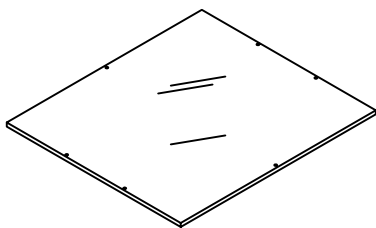
(7) Middle Cross Bar 1 pc



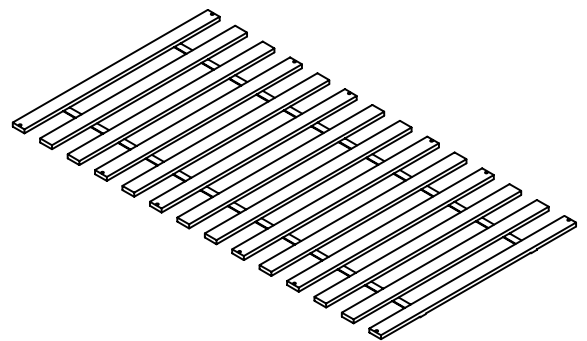
(8) Side Cross Bar 2 pcs



(10) Ladder 1 pc


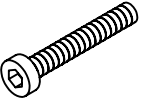





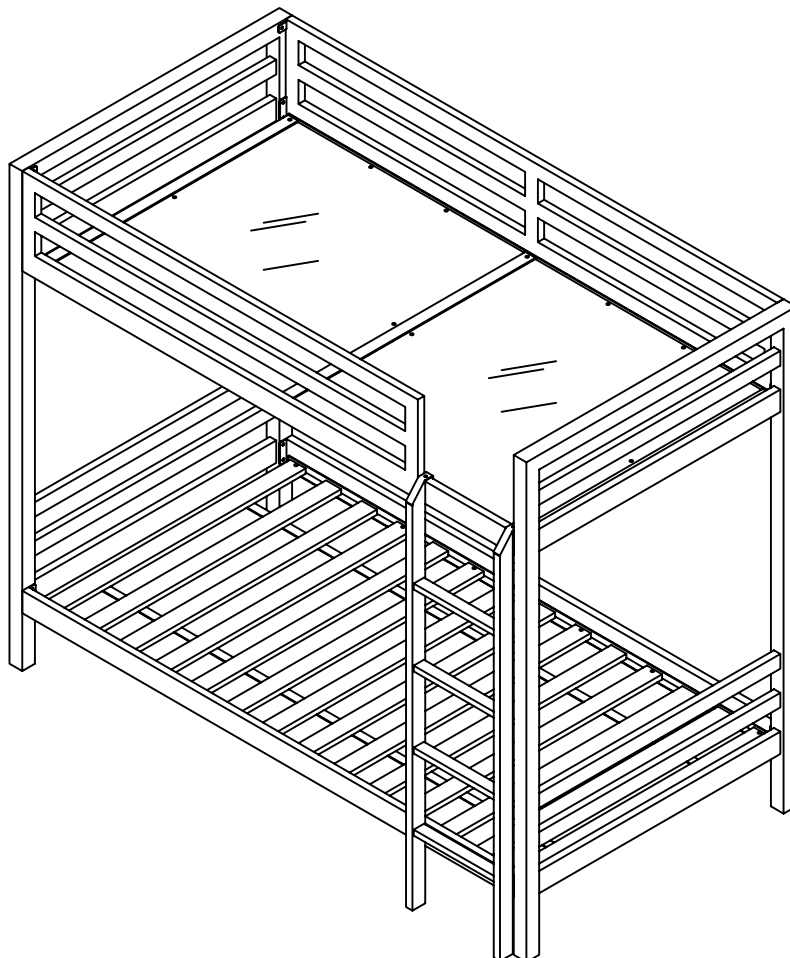
(11) Twin Panel 2 pcs



(12) Twin Slat Roll 1 set

HARDWARE LIST

 <p>1/4"x 5/8"</p>	 <p>1/4"x 1-1/2"</p>
<p>A Bolt 19 PCS</p>	<p>B Bolt 2 PCS</p>
 <p>1/4"x 1/2"</p>	 <p>1/4"x 3/4"</p>
<p>C Bolt 30 PCS</p>	<p>D Nut 30 PCS</p>
	
<p>E Allen Wrench 2 PCS</p>	

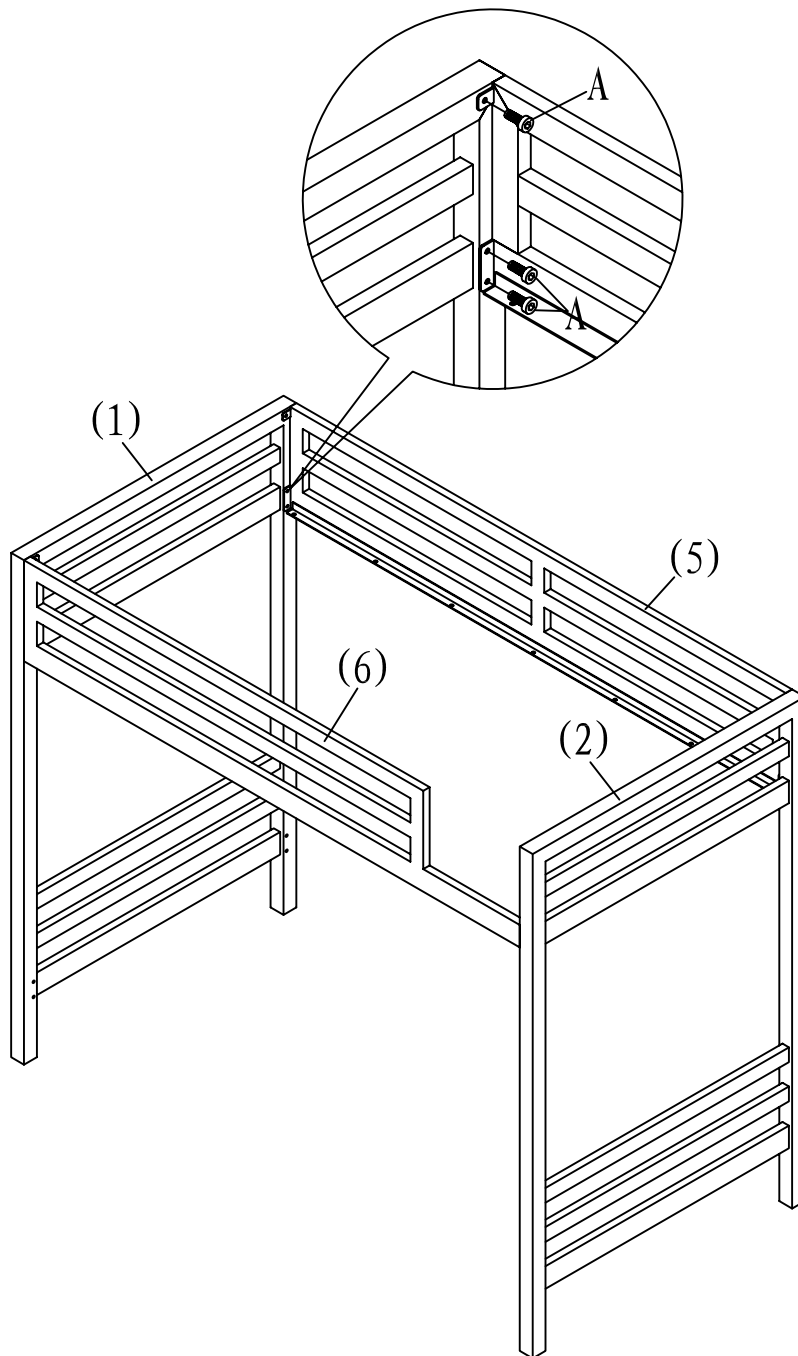


Assembly Instructions:

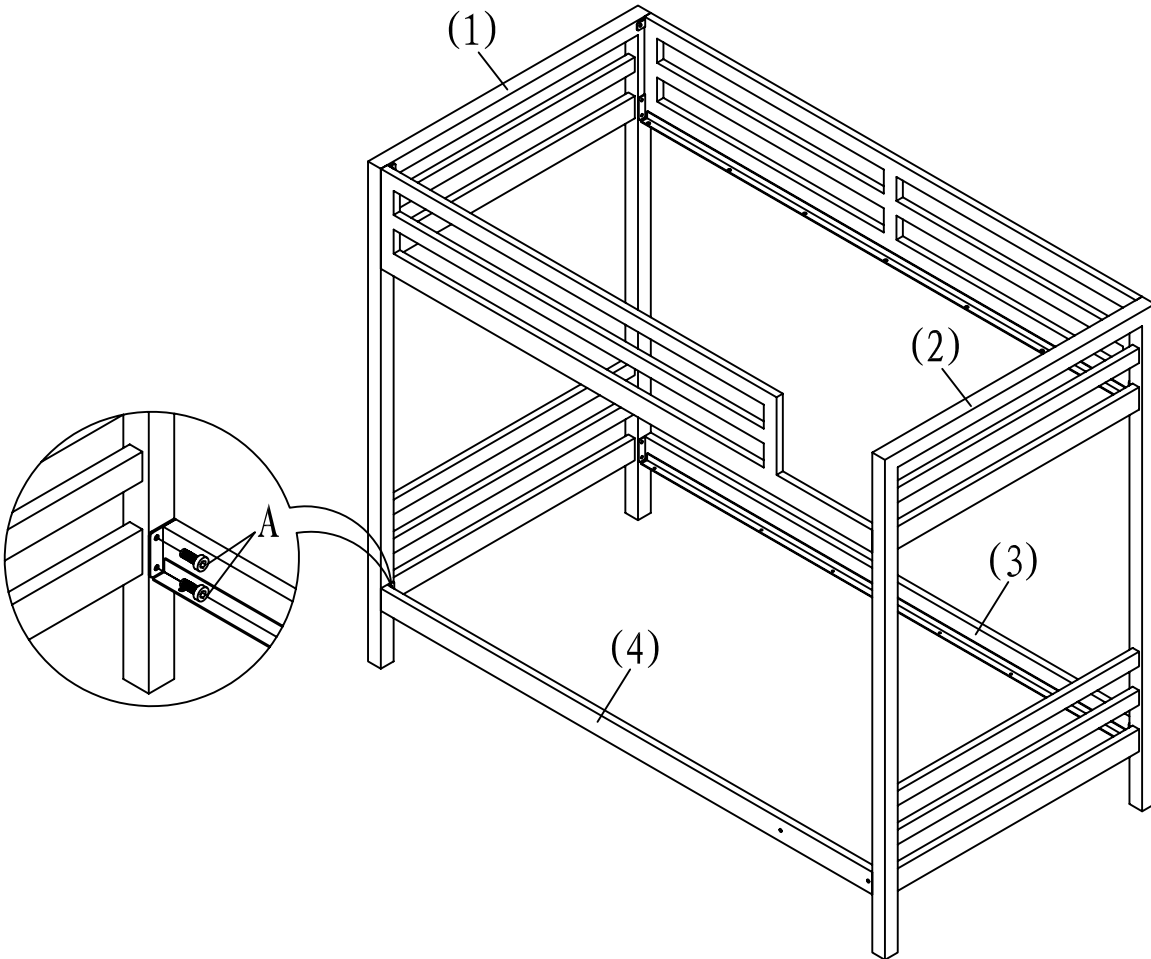
Note: **2 people are recommended for assembly for this bunk bed.

****Do not completely tighten all bolts until all steps are finished.**

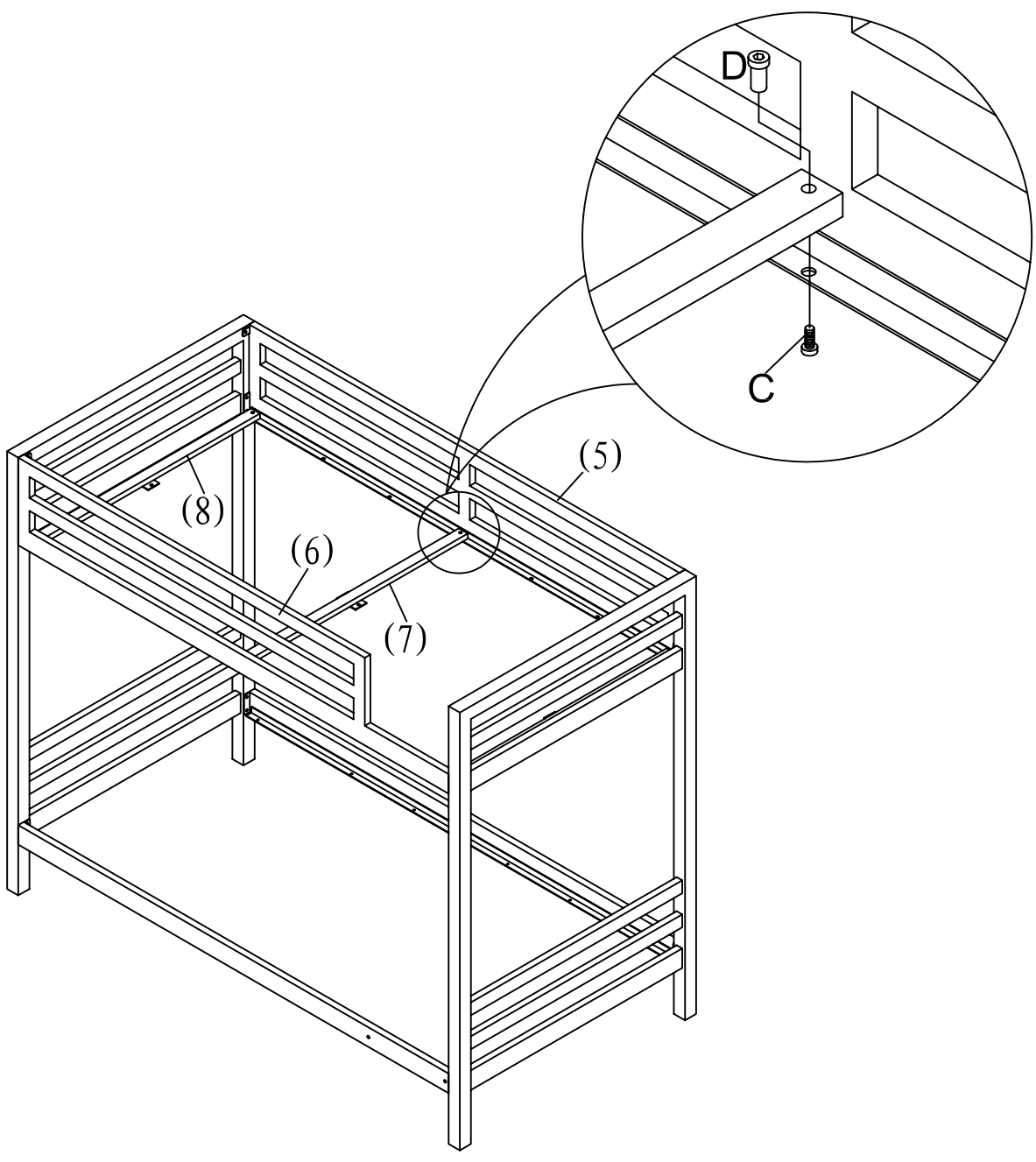
Step 1: Attach Front Guard Rail (6) and Back Guard Rail (5) to Left Bunk End (1) and Right Bunk End (2) with Bolts (A).



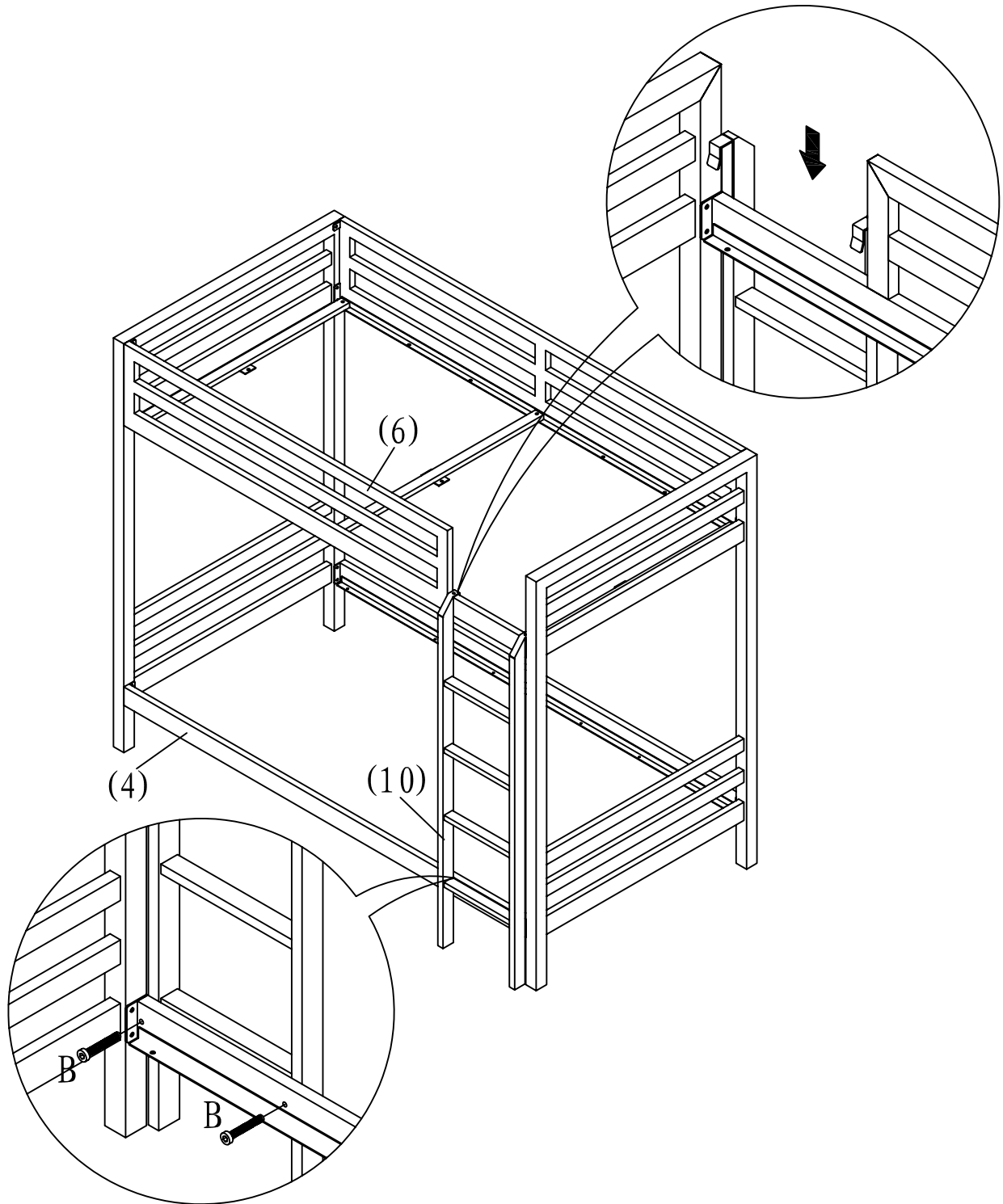
Step 2: Attach Front Side Rail (4) and Back Side Rail (3) to Left Bunk End (1) and Right Bunk End (2) with Bolts (A).



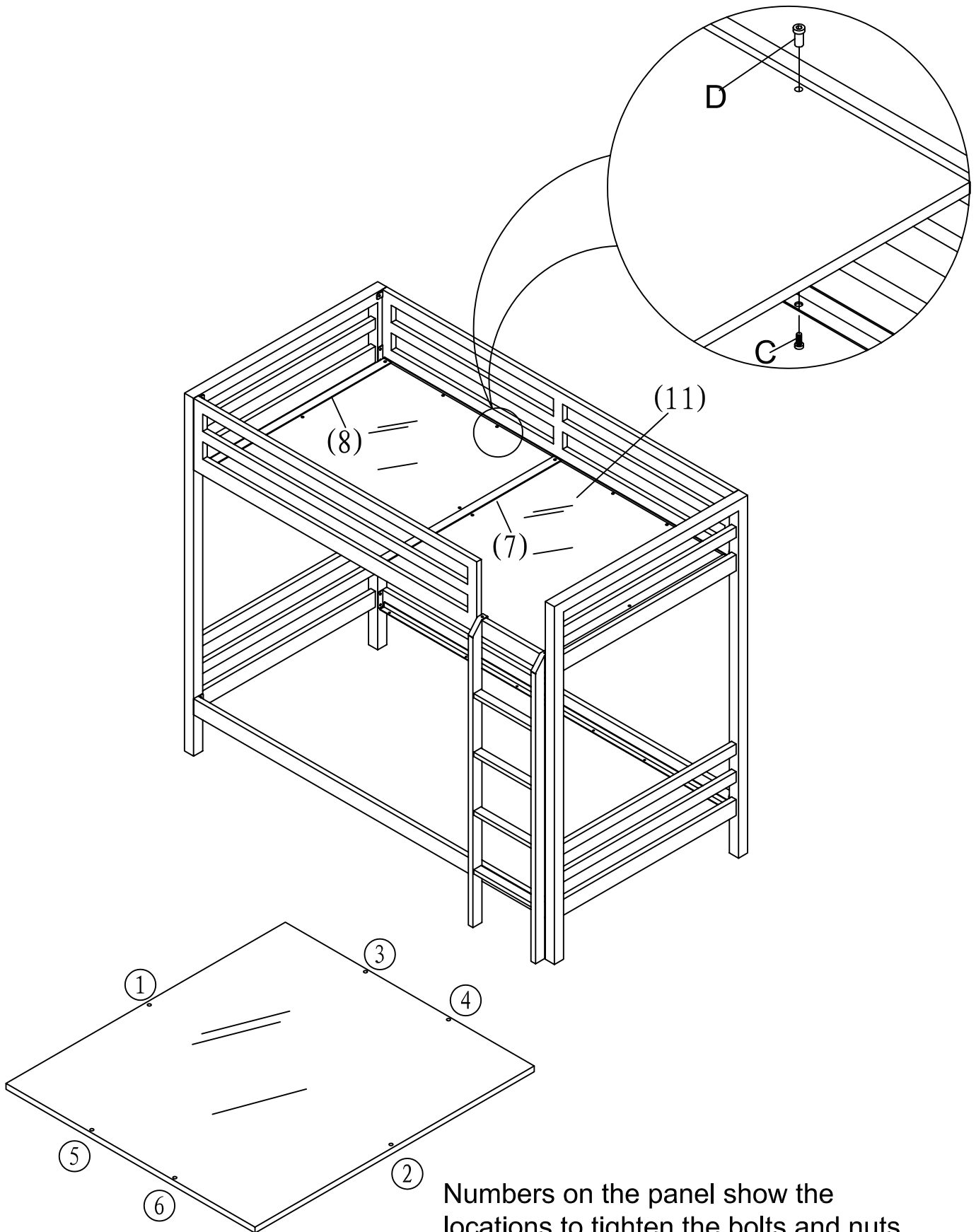
Step 3: Attach Middle Cross Bar (7) and Side Cross Bars (8) to Front Guard Rail (6) and Back Guard Rail (5) with Nuts (D) and Bolts (C).



Step 4: Attach Ladder (10) to Front Guard Rail (6) and Front Side Rail (4) with Bolts (B).



Step 5: Lay the Twin Panels (11) on top bunk in between the Side Cross Bar (8) and Middle Cross bar (7). Then attach the Panels (11) with Bolts (C) and Nuts (D) at illustrated locations. Tighten the Bolts (C) and Nuts (D) at 6 locations per panel, for a total of 12 bolts for top bunk.

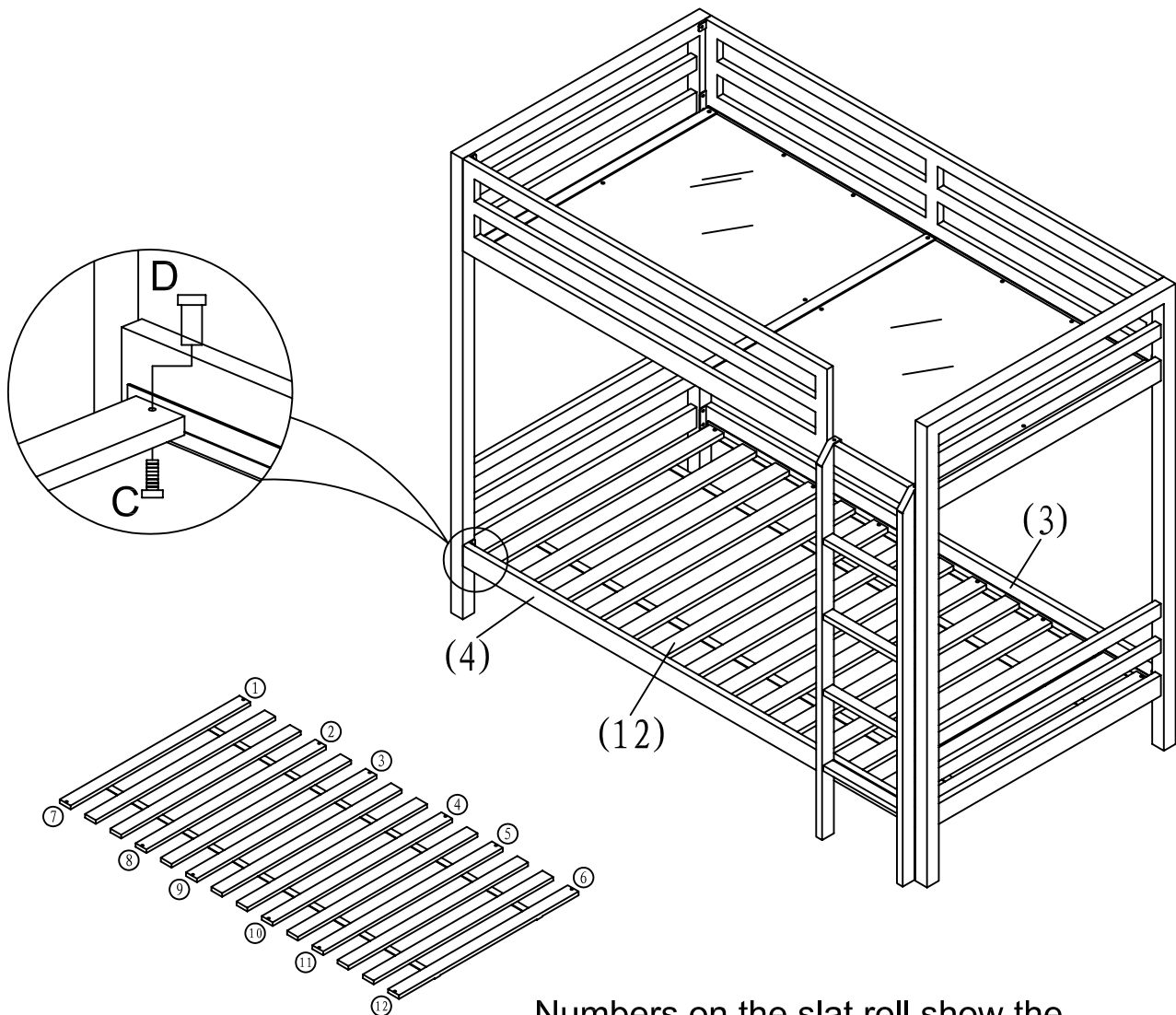


Numbers on the panel show the locations to tighten the bolts and nuts.

Step 6: Lay the Twin Slat Roll (12) on bottom bunk in between the Front Side Rail (4) and Back Side Rail (3). Then attach the Twin Slat Roll (12) with Bolts (C) and Nuts (D) at illustrated locations. Tighten the Bolts (C) and Nuts (D) at 6 locations per panel, for a total of 12 bolts for bottom bunk.

Remark:

1. Please note that to correctly assemble the slats, the webbing on the slats should be on the bottom side.



Numbers on the slat roll show the locations to tighten the bolts and nuts.