

## SOMERSET BED

**WARNING :** ADULT ASSEMBLY ONLY OWING TO THE PRESENCE OF SMALL PARTS, SHARP POINTS AND EDGES

**Customer Service-** If you are missing parts or have any questions about this product, please contact us at : 1-800-762-1751



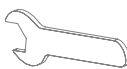
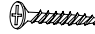
### PART LIST

- A [1] HEADBOARD
- B [1] FOOTBOARD
- C [2] SIDERAILS
- D [1] SLAT ROLL

### TOOLS NEEDED

- Screwdriver

### HARDWARE LIST

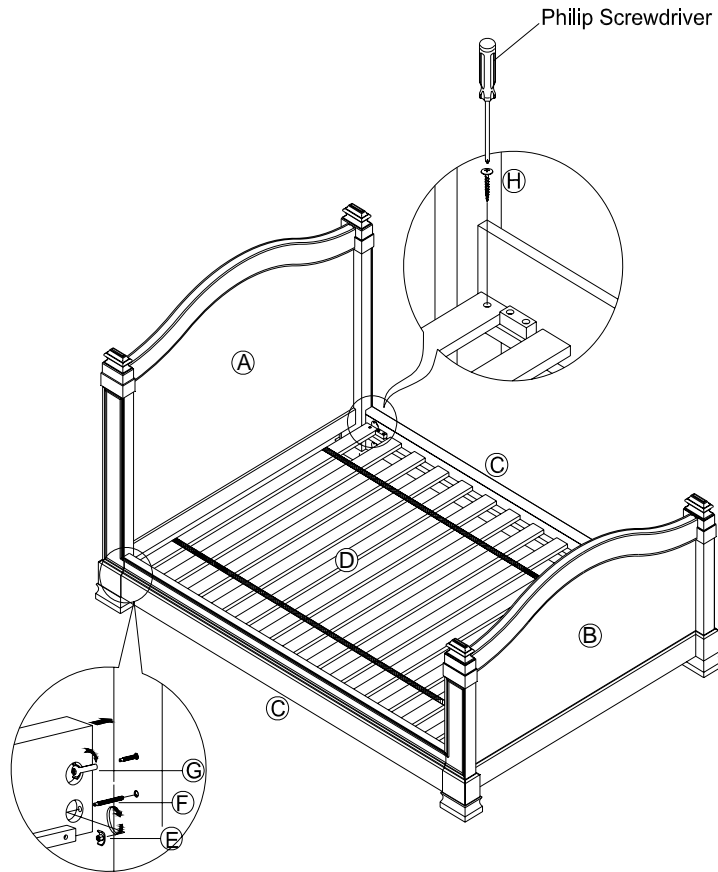
<b>E</b>	 <b>35x17</b>	<i>8 pcs</i>	Curved slotted washer
<b>F</b>	 <b>5/16"X88mm</b>	<i>8 pcs</i>	Threaded rod
<b>G</b>	 <b>Ø5/16"</b>	<i>1 pc</i>	Wrench
<b>H</b>	 <b>Ø8 mm x 1 1/4"</b>	<i>4 pcs</i>	Wood screw

### ASSEMBLY INSTRUCTION

**Note:** Bed can be assembled by one person rather easily, but if two people are available it is a bit easier and the operation will require less preparation. The instructions are written assuming one person is assembling the bed.

- I. Place the headboard (A) upright in the position you wish the bed to be in when fully assembled. The headboard bedfast hardware should be facing the inside, toward the mattress. Secure the threaded rod (F) to the Headboard (A). Raise the Siderail (C) up and place the rod into the Siderail (C) at the bore holes' position, insert Curved slotted washer (E) and tighten hex nuts using wrench (G). Repeat with the other siderail end and Footboard (B).

2. Lay the slat roll (D) in between the siderails (C) and use wood screws (I) to fasten 2 end slats to the siderails with a screwdriver.



**CARE INSTRUCTIONS:**

- Dust often using a clean, soft, dry lint-free cloth.
- Blot spills immediately, and wipe with a clean, damp, cloth.
- We do not recommend the use of chemical cleansers, abrasives, or furniture polish on our lacquered finish.

*Thank you for your purchase*  
[www.rhbabyandchild.com](http://www.rhbabyandchild.com)