

baby&child

RESTORATION HARDWARE

SIMONE BED



WARNING: ADULT ASSEMBLY ONLY OWING TO THE PRESENCE OF SMALL PARTS, SHARP POINTS AND EDGES

Customer Service- If you are missing parts or have any questions about this product, please contact us at : 1-800-762-1751

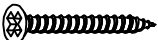
PART LIST

- A [1] HEADBOARD
- B [2] SIDERAILS
- C [1] FOOTBOARD
- D [1] SLAT ROLL

TOOLS NEEDED

- Rubber/wood Mallet or hammer
- Book or magazine
- Screwdriver

HARDWARE LIST

NO.	Description			Q'TY
1		Wood Screw	Φ8 x 30mm	4 Pcs

ASSEMBLY INSTRUCTION

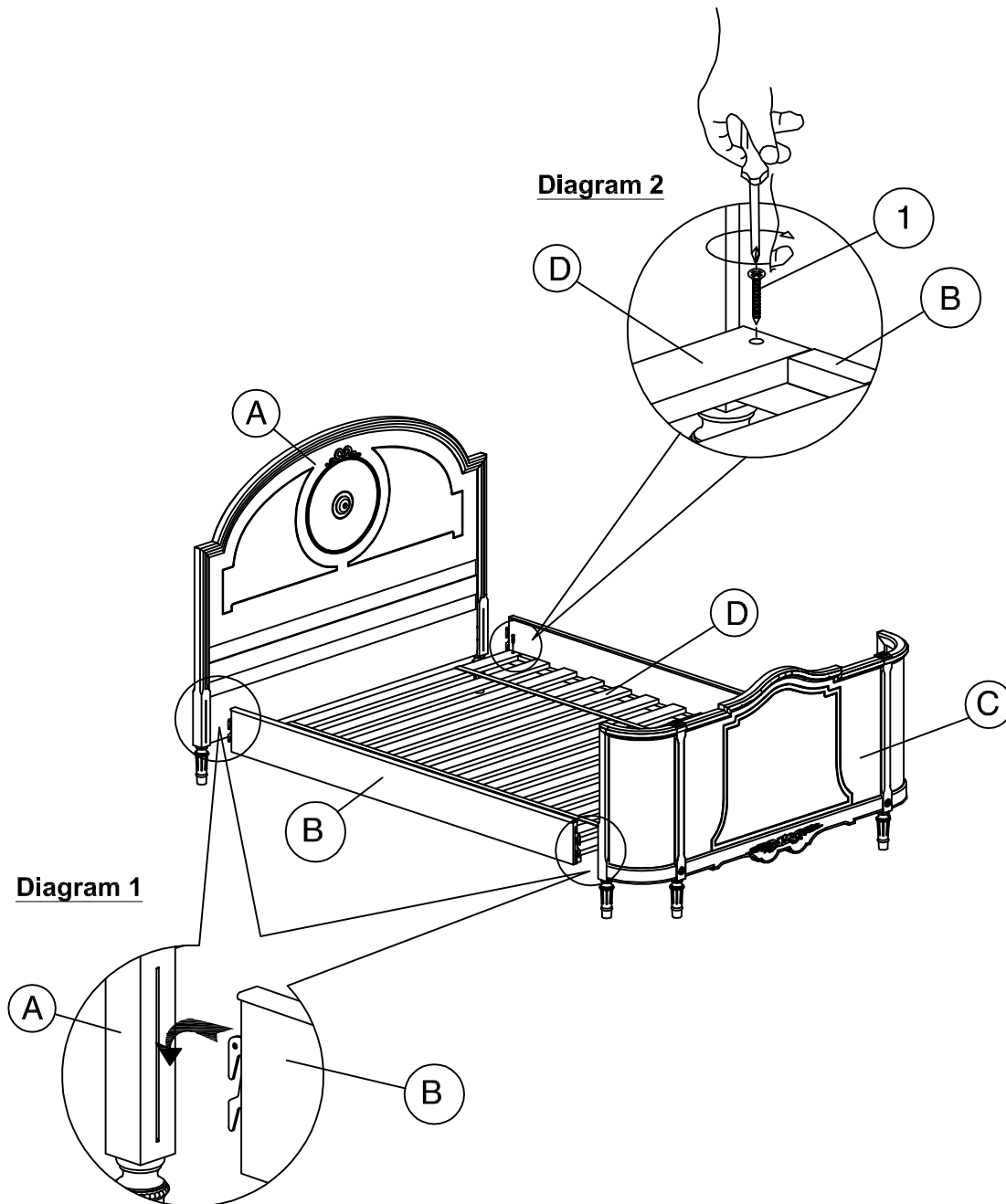
Note: Bed can be assembled by one person rather easily, but if two people are available it is a bit easier and the operation will require less preparation. The instructions are written assuming one person is assembling the bed.

1. Place the Headboard (A) upright in the position you wish the bed to be in when fully assembled. The headboard bedfast hardware should be facing the inside, toward the mattress.

The Siderails (B) are not handed parts so either rail will work on the right or left side. While holding the Headboard (A) up, place the hooks in the rail into the slots in the post of the headboard. If necessary, using a thick magazine or book to protect the siderail, hammer the hook-rail with a mallet or hammer until tight. Repeat the procedure with the other rail. The Headboard (A) will now stand on it's own with the rails supporting it.

Insert the siderail hooks into the slots in the Footboard (C) and use the method described above.

2. Lay the Slat roll (D) in between the Side rails (B) and use Wood screws (1) to fasten 2 end slats to the side rails with a screwdriver.



CARE INSTRUCTIONS:

- Dust often using a clean, soft, dry lint-free cloth.
- Blot spills immediately, and wipe with a clean, damp cloth.
- We do not recommend the use of chemical cleansers, abrasives, or furniture polish on our lacquered finish.

Thank you for your purchase
www.rhbabyandchild.com