

## PROVENCE IRON BED

---


**WARNING : ADULT ASSEMBLY ONLY OWING TO THE PRESENCE OF SMALL PARTS,SHARP POINTS AND EDGES.**

**CUSTOMER SERVICE:**If you are missing parts or have any questions about this product,contact us at:1-800-762-1751

**PARTS LIST:**

- 1. HEADBOARD 1PC
- 2. FOOTBOARD 1PC
- 3. SIDE RAILS 2PCS
- 4. SLAT ROLL 1SET

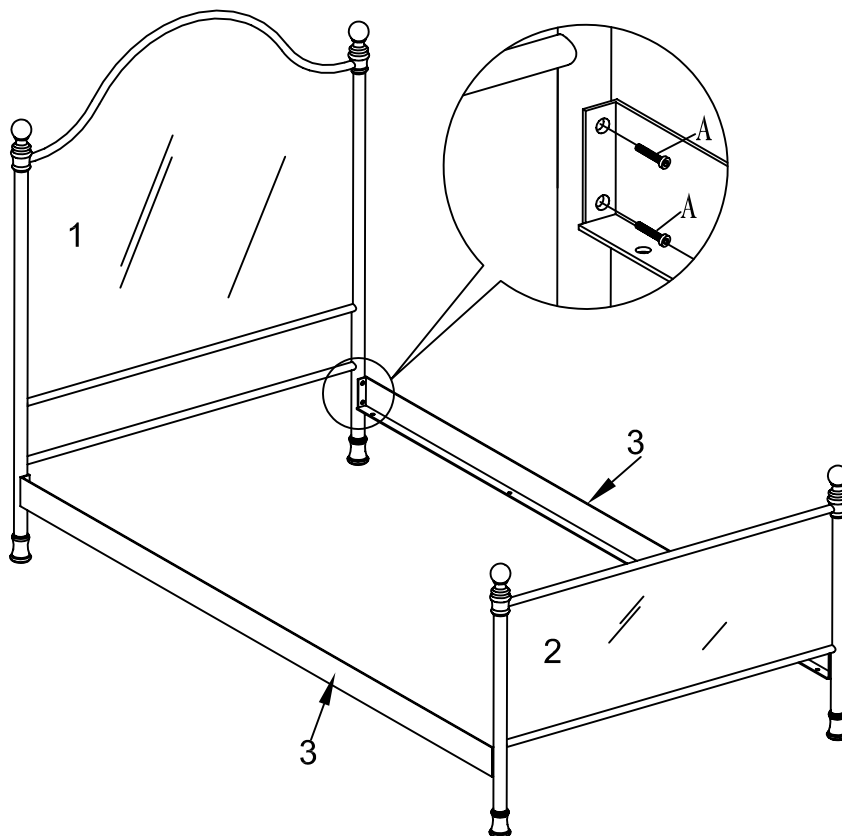
**HARDWARE INCLUDED:**

NO	DESCRIPTION			Q'TY
A		Long Bolt	5/16"*1"	8PCS
B		Nut	1/4"*3/4"	8PCS
C		Short Bolt	1/4"*1/2"	8PCS
D		Allen Wrench	5/16"	2PCS
E		Allen Wrench	1/4"	1PCS

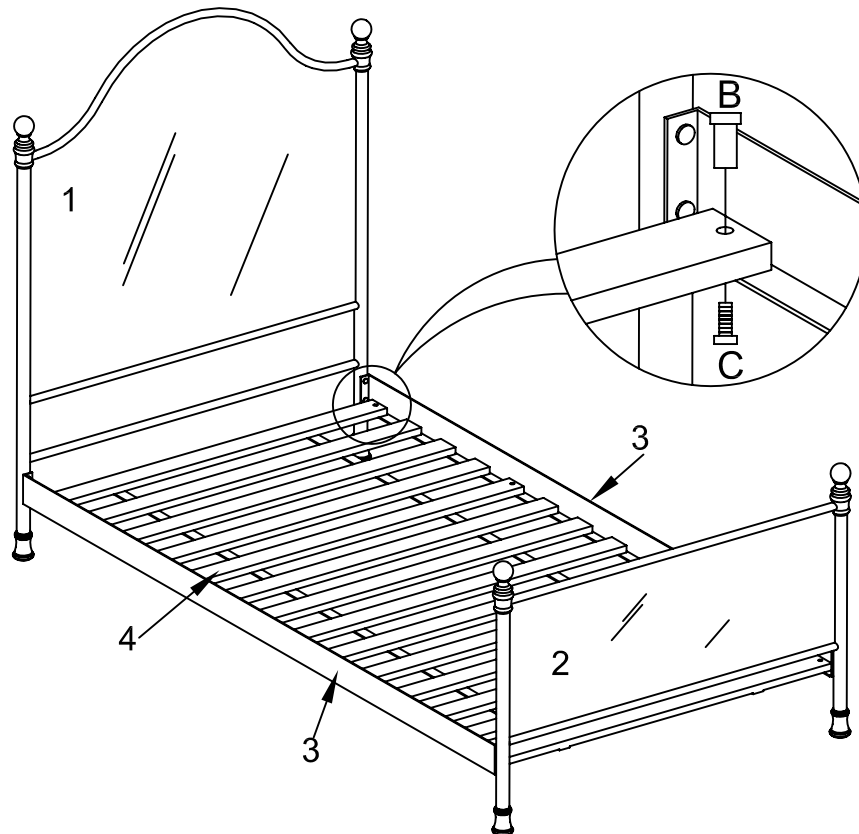
# Assembly Instructions:

**Note: \*\*2 people are recommended for assembly of this bed.**

Step 1: Attach Headboard (1) and Footboard (2) to Side Rails (3) with Long Bolts (A). Tighten all the bolts with Allen Wrench (D).



Step 2: Attach the Slat Roll (4) to Side Rails (3) with Short Bolts (C) and Nuts (B).  
Tighten short bolts and nuts with Allen Wrenches (E).



#### CARE INSTRUCTIONS

- Dust often using a clean, soft, dry lint-free cloth.
- Blot spills immediately, and wipe with a clean, damp cloth.
- We do not recommend the use of chemical cleansers, abrasives, or furniture polish on our lacquered finish.

Thank you for you purchase  
[www.rhbabyandchild.com](http://www.rhbabyandchild.com)