

# baby&child

## RESTORATION HARDWARE

Thank you for selecting Restoration Hardware Baby & Child lighting. Our assortment is crafted with the highest quality materials that coordinate perfectly with our Baby & Child bedding collections, making it easy to create an elegant nursery or child's bedroom. Each item's surface is sealed which eliminates the need for polishing and ensures a lasting finish for years to come.

### PARTS ENCLOSED:

- (A) Thumb screw
- (B) Socket
- (C) 25W Type B bulb (2pcs)
- (D) Back cover
- (E) wall anchor
- (F) wall scrow
- (G) felt

### IMPORTANT SAFETY INSTRUCTIONS:

For safety purposes, this lamp is equipped with a polarized plug (one blade is wider than the other). If the plug does not fit securely into your outlet, do not force it - contact a professional electrician. Use the plug with an extension cord only if it can be fully inserted into the cord's socket. Never alter the plug in any way.

This lamp has been rated for up to (2) 25W Type B bulb (included). To avoid the risk of fire, do not exceed the recommended wattage.

### WARNINGS:

All wires are connected. When unpacking, be careful not to pull wires as a bad connection may result. Do not connect electricity until your lamp is fully assembled.

To reduce the risk of fire, electrical shock, or personal injury, always turn off and unplug lamp and allow it to cool prior to replacing light bulb.

Do not touch bulb when fixture is turned on or look directly at lit bulb.

Keep flammable materials away from lit bulb.

**DO NOT REMOVE THE CARDBOARD INSULATOR SURROUNDING THE SOCKET.**  
THIS IS NOT A TOY AND THE PRODUCT HAS NO PLAY VALUE

### TO ASSEMBLE:

#### To use it as a table lamp:

1. Carefully remove all parts from the box and remove all plastic covering.
2. Place the lamp on the tabletop carefully.
3. Stick the felt (G) under the 4 corners of the bottom.
4. Screw the thumb screw (A) to open the back cover (D).
5. Insert the (2) 25W Type B bulbs (C, included) into the threaded socket (B).
6. Close the back cover (D) and scrow back the thumb screw to secure.
7. Plug into proper electrical outlet and test the- lamp.
8. Assembly is complete.

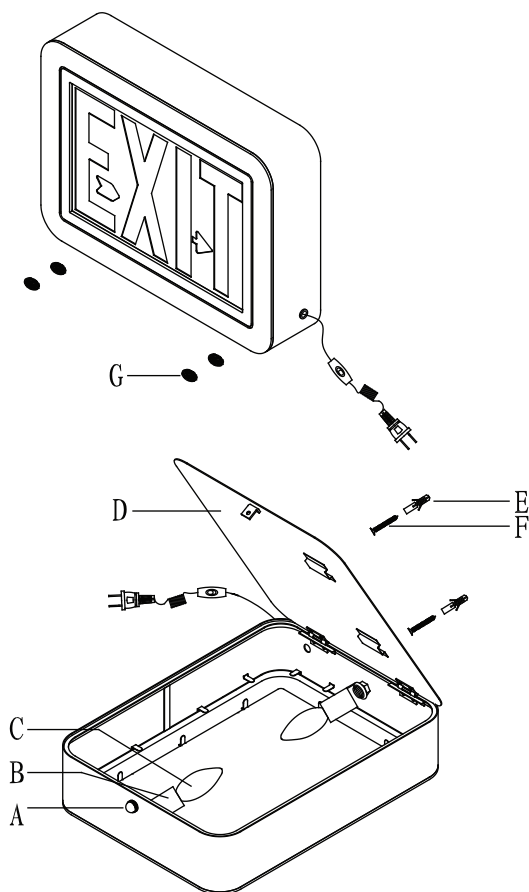
#### To use it as a wall lamp:

1. Carefully remove all parts from the box and remove all plastic covering.
2. Drill 2 holes on the wall and insert the wall anchors (E).
3. Screw the thumb screw (A) to open the back cover (D).
4. Take the lamp and align the 2 holes on the back cover to the wall anchors (E) and use the wall scrow (F) to secure it.
5. Insert the (2) 25W Type B bulbs (C, included) into the threaded socket (B).
6. Close the back cover (D) and scrow back the thumb screw to secure it.
7. Plug into proper electrical outlet and test the- lamp.
8. Assembly is complete.

### CARE INSTRUCTIONS:

Do not use polishes or cleaners on your lamp.  
JUST WIPE CLEAN WITH SOFT CLOTH.

## VINTAGE ILLUMINATED EXIT SIGN



Back View