


## French Library Shelving

### PART LIST

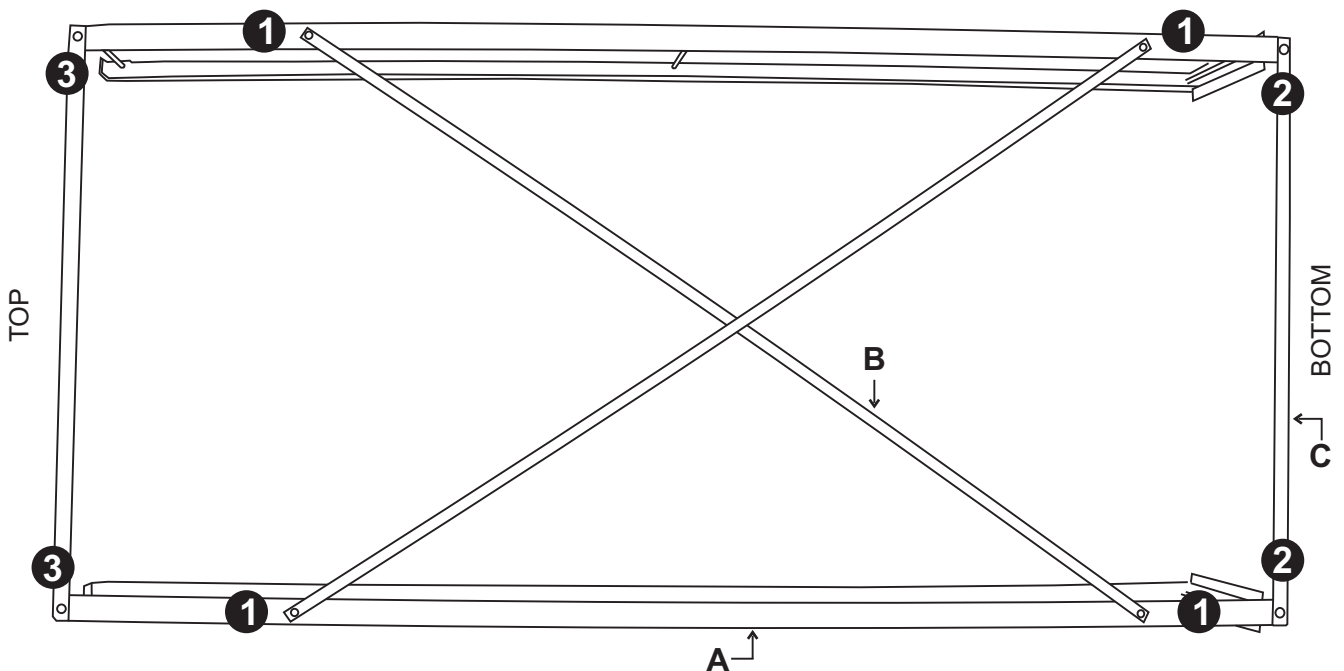
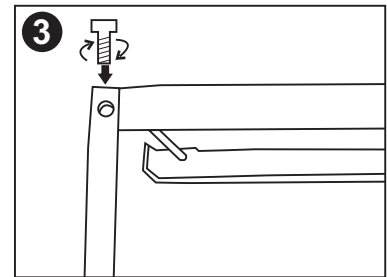
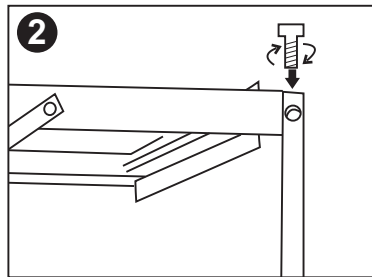
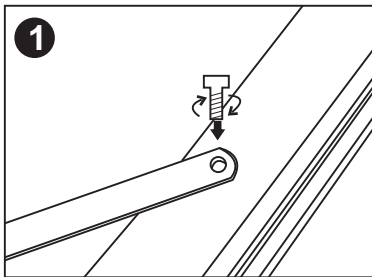
A	Side Panel	2	B	Cross Bracing	1
C	Angle Support	3	D	Cast Handle	2
E	Cast Leg	2	F	Pipe	1
G	Pin	2	H	Angle Bracket	10
I	Wooden Shelf	6	J	Wrench 	2

Two people are needed for assembly & set up of Shelving Unit. Assemble the shelving unit as close to its final location possible. Once built, it is heavy & difficult to move.

Assemble the unit face-down on the ground. Place the two metal side panels on the ground, same ends facing one direction and follow the steps as shown in picture :

**STEP 1 :** Remove the bolts from the back of panels, place the cross bracing to match the holes and tighten the bolts with the wrench provided.

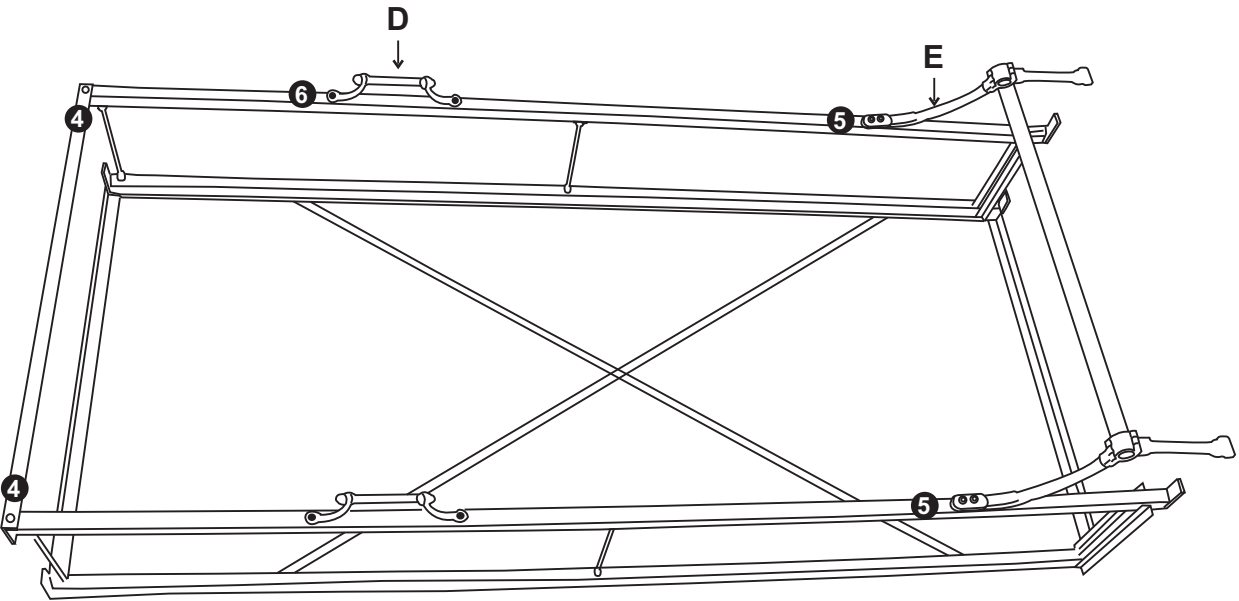
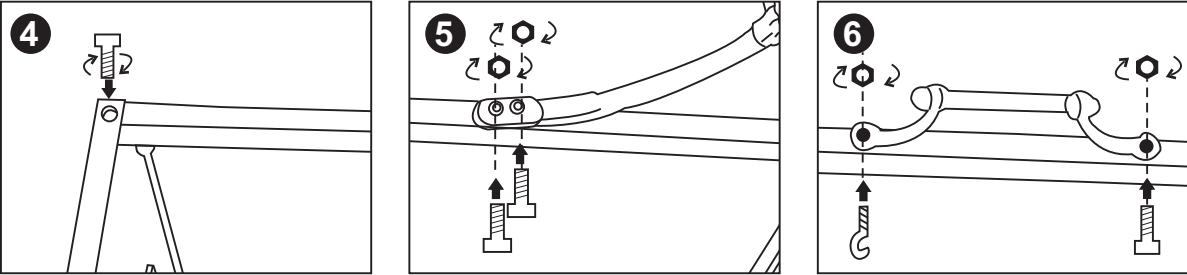
**STEP 2 & 3 :** Remove the bolts & place the angle supports on top and bottom of side panels and re-tighten the bolts.



Place the shelving unit on the floor with cross bracing facing downwards.

**STEP 4 :** Remove the bolts from the top corners, insert the angle supports & re-tighten the bolts back in place.

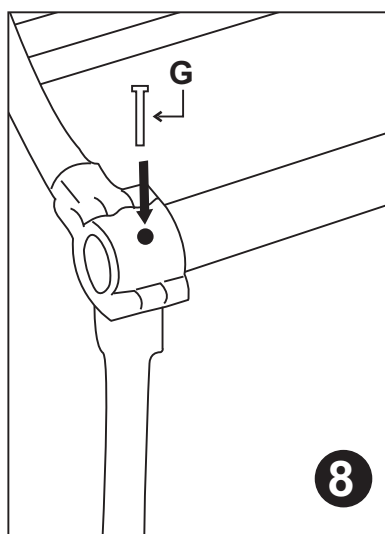
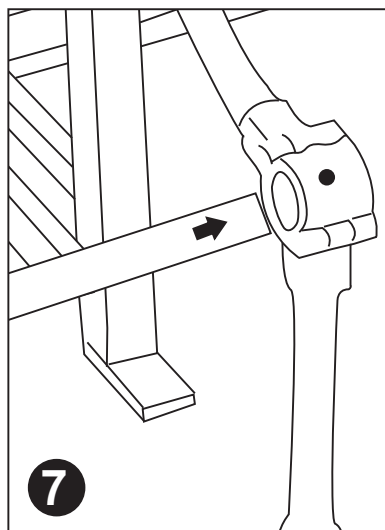
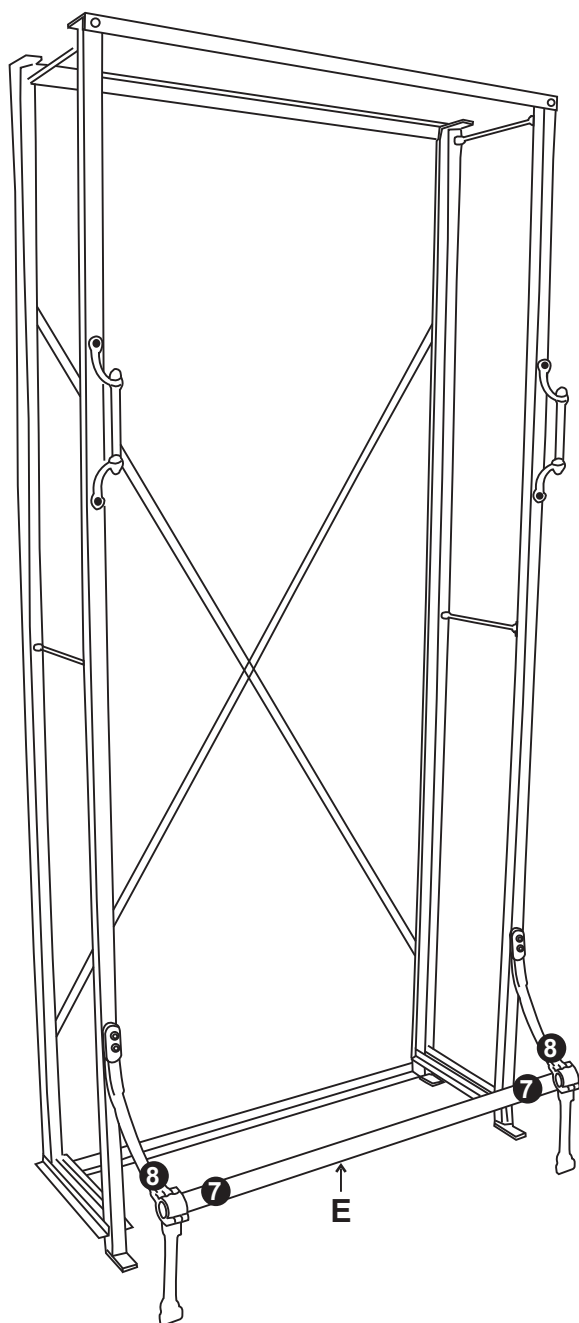
**STEP 5 & 6 :** Remove the nuts & place the set of cast legs at bottom of unit & set of cast handles at center of unit & re-tighten the nuts.



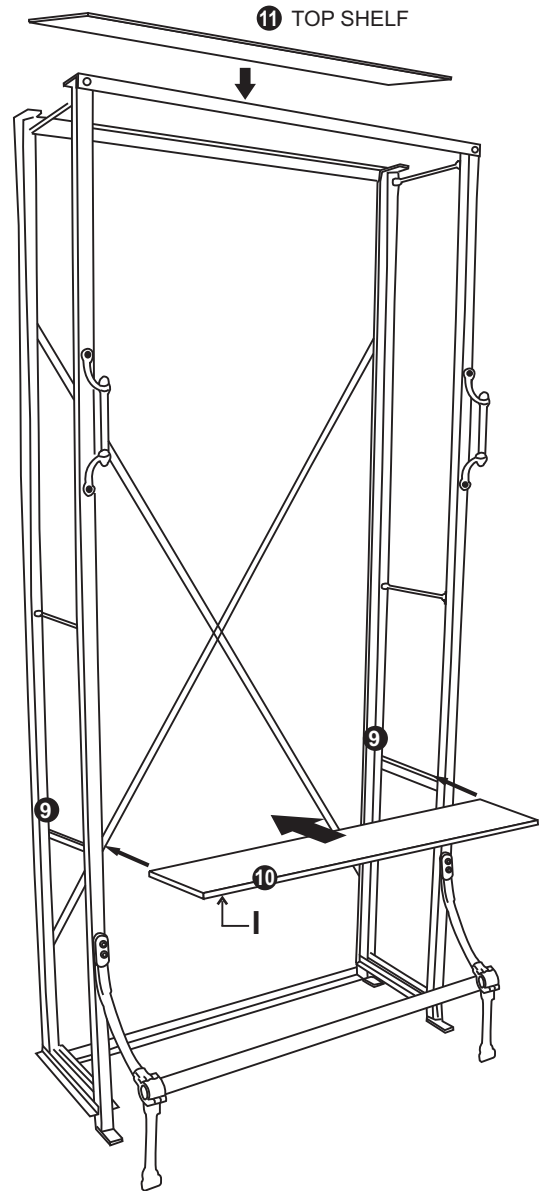
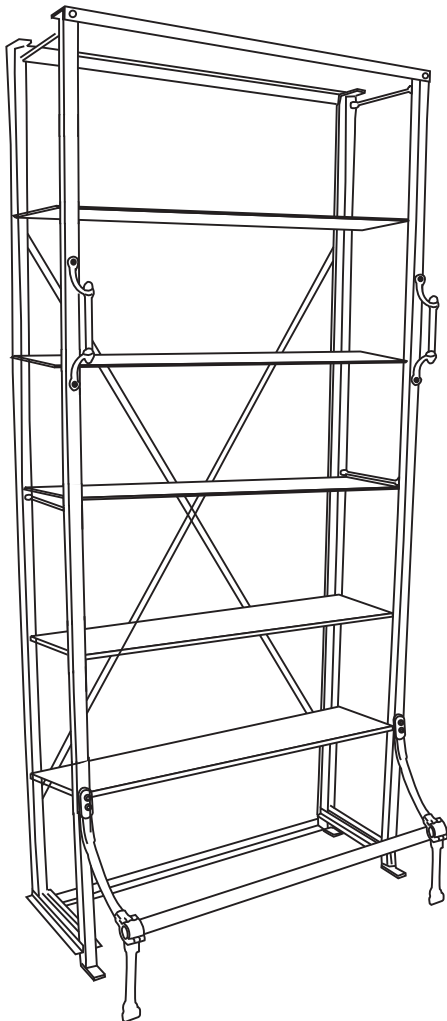
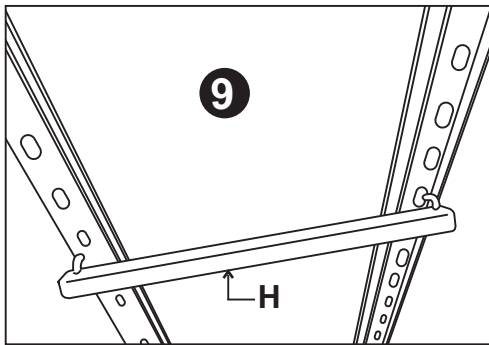
Using two people, tilt the shelving unit upright and move into place.

**STEP 7 :** Slide the pipe through the holes in cast legs.

**STEP 8 :** Place the pins through holes to lock the pipe in place



**STEP 9 :** Place the angle bracket on cylindrical holes given on side panels at desired level. Make sure both brackets of a set are placed on same level.



**STEP 10 :** Slide the 5 wooden shelves onto the set of angle brackets installed at various levels.

**STEP 11 :** Place the top shelf on the top of shelving unit

Fill the shelves & Enjoy!  
Thank you for your purchase.  
[rhhbabyandchild.com](http://rhhbabyandchild.com)