

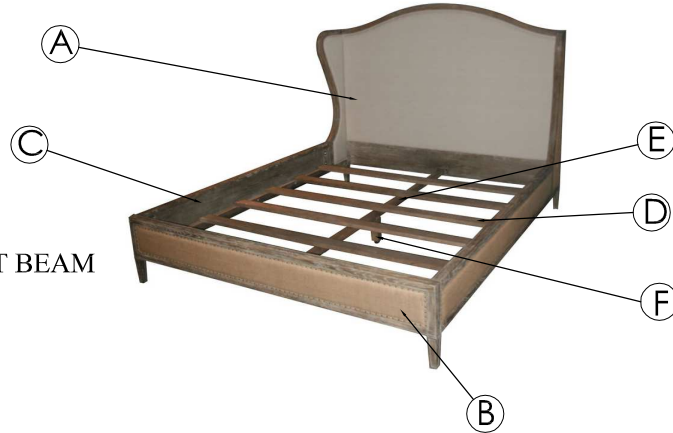
baby&child

RESTORATION HARDWARE

FRENCH WING BED WITHOUT FOOTBOARD

PART LIST :

- A[1] HEADBOARD
- B[1] FOOTBOARD
- C[2] SIDERAILS
- D[7] SLAT ROLL
- E[1] CENTER SUPPORT BEAM
- F[1] SUPPORT LEG



Tools needed

-Philips head screwdriver (Not provided)

NO	Description	Q'TY
1.	HEX NUT	8Pcs
2.	THREADED ROD	8Pcs
3.	CURVED WASHER	8Pcs
4.	OPEN WRENCH	1Pc

ASSEMBLY INSTRUCTION

Note : 2 people are recommended for assembly of this bed.

STEP 1:

- Place the Headboard (A) at desired position, with headboard(A) bedfast hardware facing the inside, toward the mattress.
- Insert the threaded rod (2) into the predrilled hole of headboard(A). Raise the siderail (C) up and place the rod into the siderail at the bore hole's position.
- Insert the curved washer (3) and hex nut (1) to secure the siderail as shown, and fully tighten by using wrench (4).
- Repeat same procedure with the other end of the siderail(2) to connect to footboard(B).

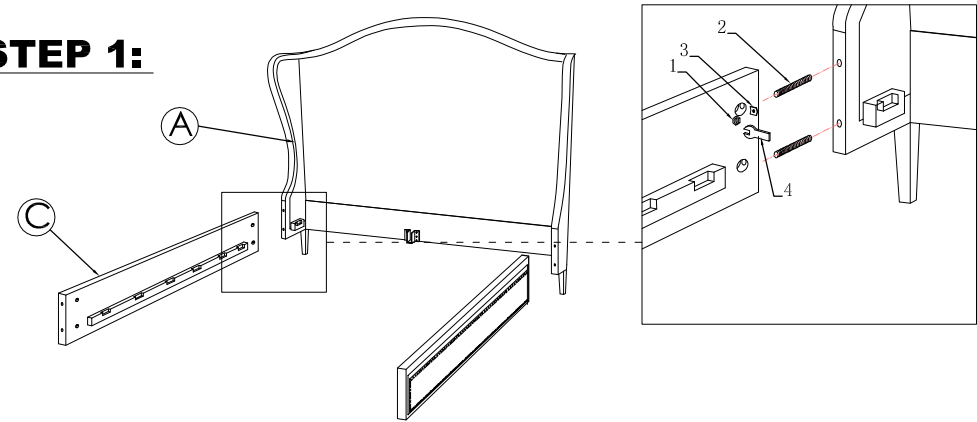
STEP 2:

- Place the center support beam (E) into metal clamps on headboard (A) and footboard (B).
- Secure the support leg (F) to the center support beam as shown.

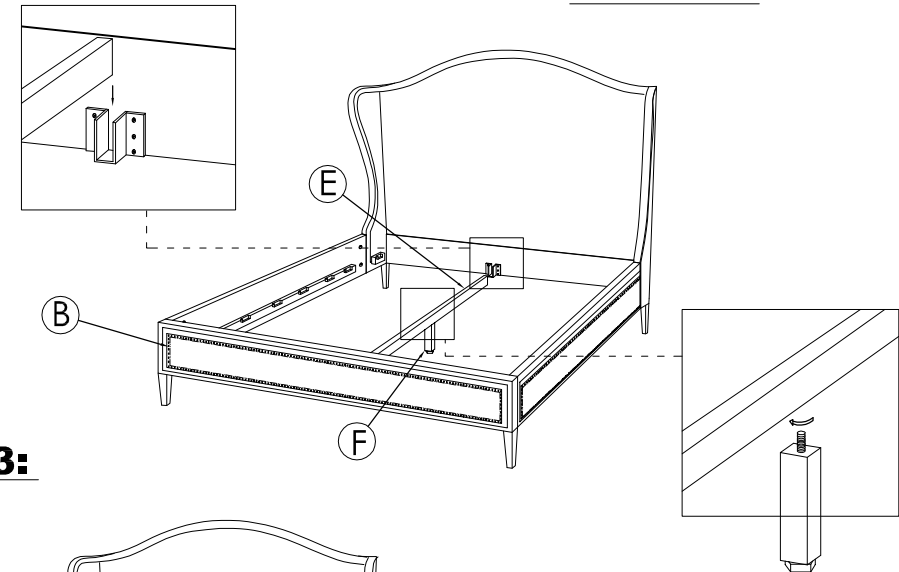
STEP 3:

- Lay the slat roll (D) in between the siderails (C) at positions of slots given on siderails(C). Assembly is complete.

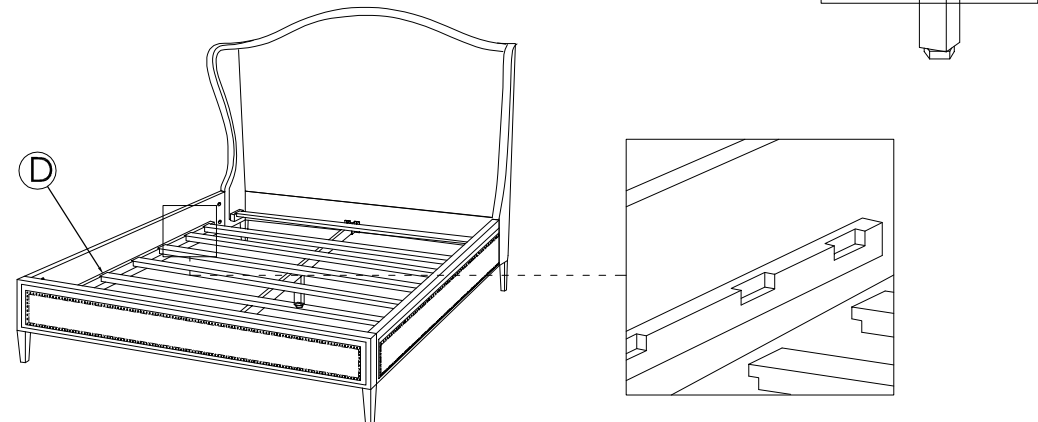
STEP 1:



STEP 2:



STEP 3:



Thank you for your purchase

www.rhbaby&child.com