

# baby&child

## RESTORATION HARDWARE

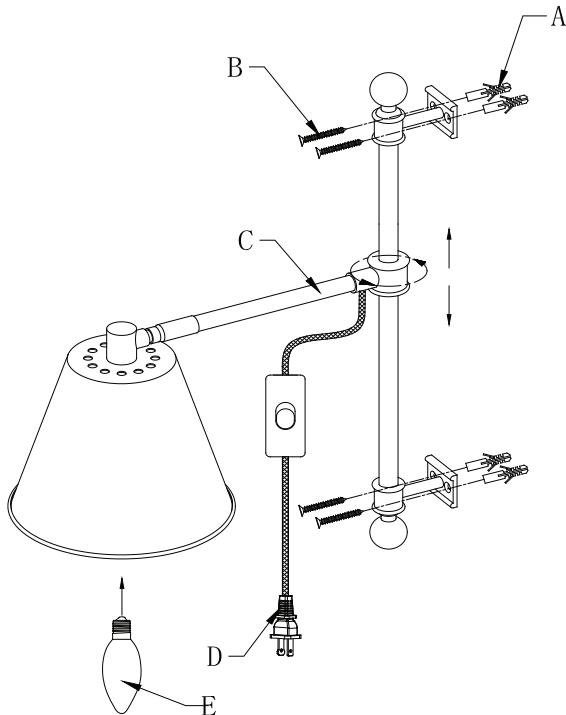
Thank you for selecting Restoration Hardware Baby & Child lighting. Our assortment is crafted with the highest quality materials that coordinate perfectly with our Baby & Child bedding collections, making it easy to create an elegant nursery or child's bedroom. Each item's surface is sealed which eliminates the need for polishing and ensures a lasting finish for years to come.

### PARTS ENCLOSED:

- (A) Drywall anchor (4)
- (B) Screw (4)
- (C) Arm (1)
- (D) Plug (1)
- (E) Bulb (1)

## SUMNER SCONCE

## Direct Installation



### IMPORTANT SAFETY INSTRUCTIONS:

For safety purposes, this sconce is equipped with a 2-pin polarized plug. If the plug does not fit securely into your outlet, do not force it - contact a professional electrician. Use the plug with an extension cord only if it can be fully inserted into the cord's socket. Never alter the plug in any way.

This fixture has been rated for up to (1) 40W-max Type B bulb. To avoid the risk of fire, do not exceed the recommended wattage.

### WARNINGS:

All wires are connected. When unpacking, be careful not to pull wires as a bad connection may result. Do not connect electricity until your sconce is fully assembled.

To reduce the risk of fire, electrical shock, or personal injury, always turn off and unplug sconce and allow it to cool prior to replacing light bulbs.

Do not touch bulb when fixture is turned on or look directly at lit bulb.

Keep flammable materials away from lit bulb.

**THIS IS NOT A TOY AND THE PRODUCT HAS NO PLAY VALUE**

### DIRECT WIRE ASSEMBLY INSTRUCTIONS:

1. Carefully remove all parts from the box and remove all plastic covering.
2. Attach the sconce to the wall and choose a desired height and drill 4 holes in the wall for the drywall anchor (A).
3. Align the sconce with the holes in the wall and secure it using the screws (B).
4. Insert (1) 40W-max Type B bulb (E) into the threaded socket.
5. Plug into proper electrical outlet and test the sconce.
6. Turn the arm (C) for a desired direction.
7. Installation is complete.

### CARE INSTRUCTIONS:

To clean, use a soft cloth only. Do not use polishes or cleaners on your lamp.