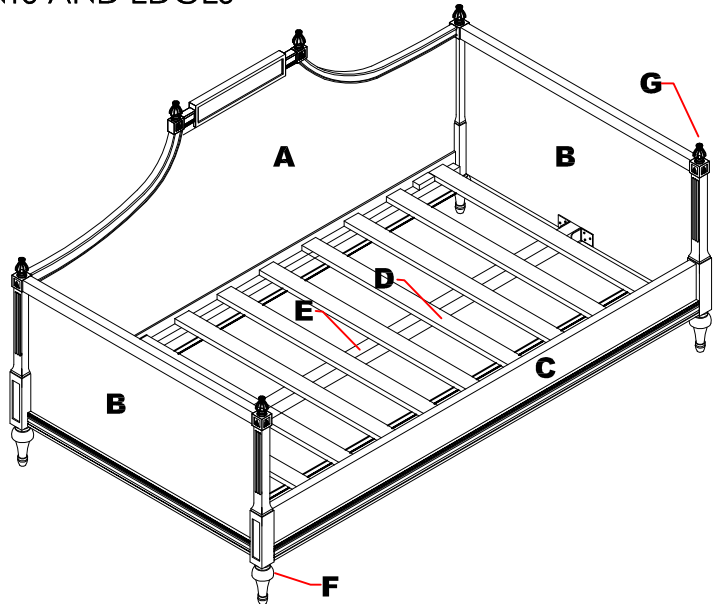


ROSELLE DAYBED

⚠ WARNING: ADULT ASSEMBLY ONLY OWING TO THE PRESENCE OF SMALL PARTS, SHARP POINTS AND EDGES

PART LIST

- A HEADBOARD
- B END PANELS
- C FRONT RAIL
- D SET OF BED SLATS
- E SUPPORT SLAT
- F LEGS
- G FINIALS












IMPORTANT

These bed parts can be cumbersome and heavy to some people, therefore the assistance of two or more people is recommended in order to prevent personal injury and ensure the bed parts are not damaged during the assembly process.

TOOLS NEEDED

- WRENCH

HARDWARE LIST

NO.	DESCRIPTION		QTY.
1		Threaded rod	4 PCS
2		Slotted curved washer	4 PCS
3		Lock washer	8PCS
4		Hexagonal nut	4 PCS
5		Open wrench	1 PC
6		Allen head bolt	4 PCS
7		Plain washer	4 PCS
8		Allen wrench	1 PC
9		Phillips wood screw	12 PCS

Customer Service - If you are missing parts or have any questions about this product please contact us at 1-800-762-1751

FIGURE 01

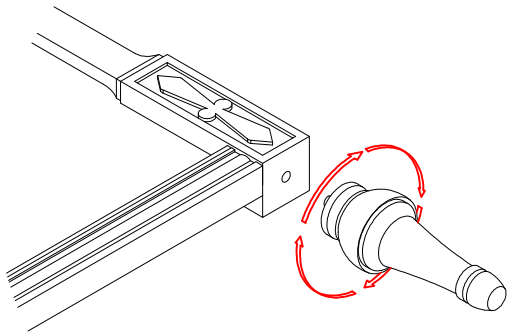


FIGURE 02

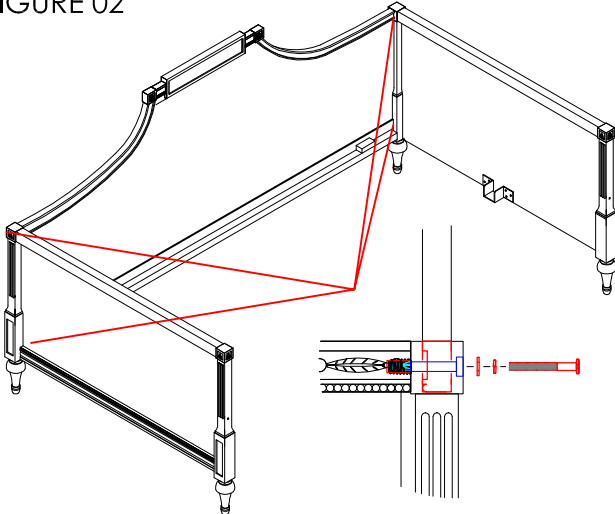


FIGURE 03

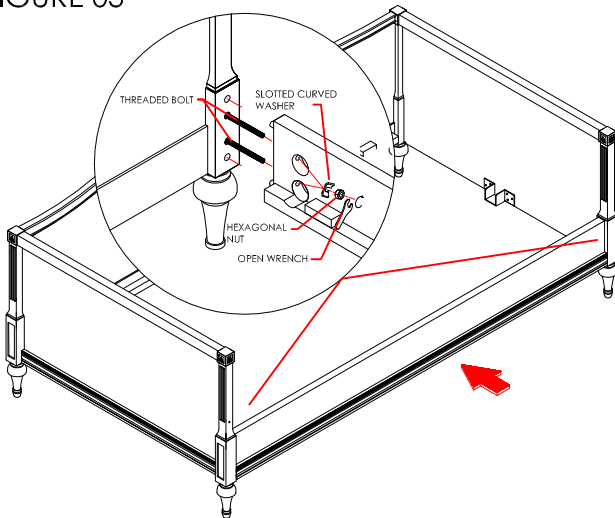
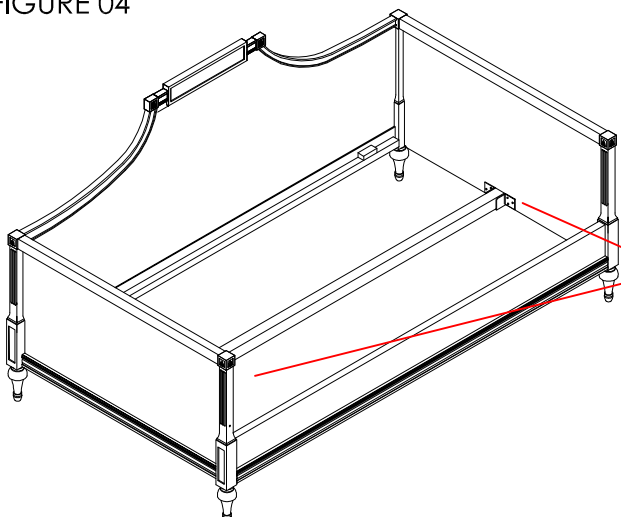


FIGURE 04



ASSEMBLY INSTRUCTIONS:

Thank you for choosing this quality product. Be sure to check all packaging materials carefully for small parts that may have become loose during shipment and place all parts on a non-abrasive surface.

STEP #1:

Gently lay the headboard (A) and end panels (B) on its back on a flat and non abrasive surface.

STEP #2:

Align and insert the threaded rod of the leg (F) into the holes and turn clockwise to tighten. Please see sketch in **figure 01**.

Note: both ends of the headboard (A) are holes for the bolts to pass through that correspond to the holes located on both connecting ends of the panels (B) with insert nut pre-installed.

STEP #3:

Place the headboard (A) as well as the end panels (B) upright in the position you wish the bed to be in when fully assembled.

STEP #4:

Insert Allen head bolt (6) in each hole together with its plain washer (7) and lock washer (3) and tighten with Allen wrench (8) provided. Please see **figure 02**.

NOTE: DO NOT OVER TIGHTEN

STEP #5:

Fasten the Threaded rod (1) manually into the insert nut on both end panels (B). Insert the wooden dowels of the front rail (C) on the mating hole of both end panels (B) as well as the threaded rod of end panels (B) into the mating holes of the front rail (C). Insert slotted curved washer (2), lock washer (3) and engage hexagonal nut (4). Tighten all the nuts with open wrench (5) provided. Please see **figure 03**.

STEP #6:

On inside surface of both end panels (B) are pre-installed metal brackets for the support slat (E). Set the center support slat (E) into the metal bracket, as illustrated in **figure 04**.

After assembly re-tighten all bolts and nuts to snug fit. **DO NOT OVER TIGHTEN.**

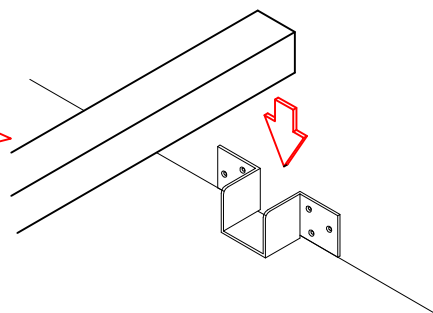
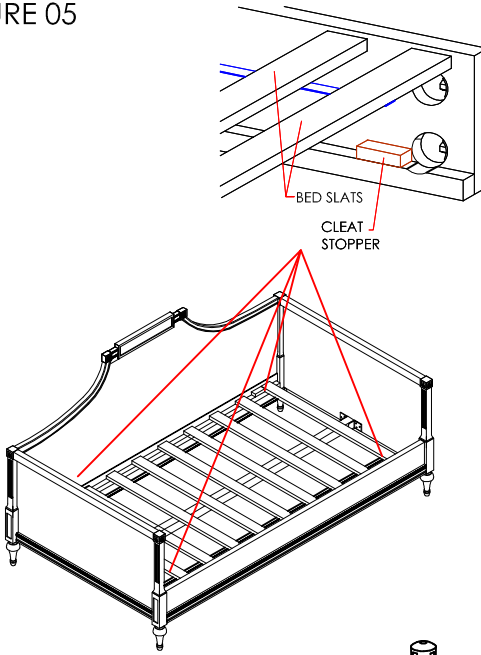


FIGURE 05



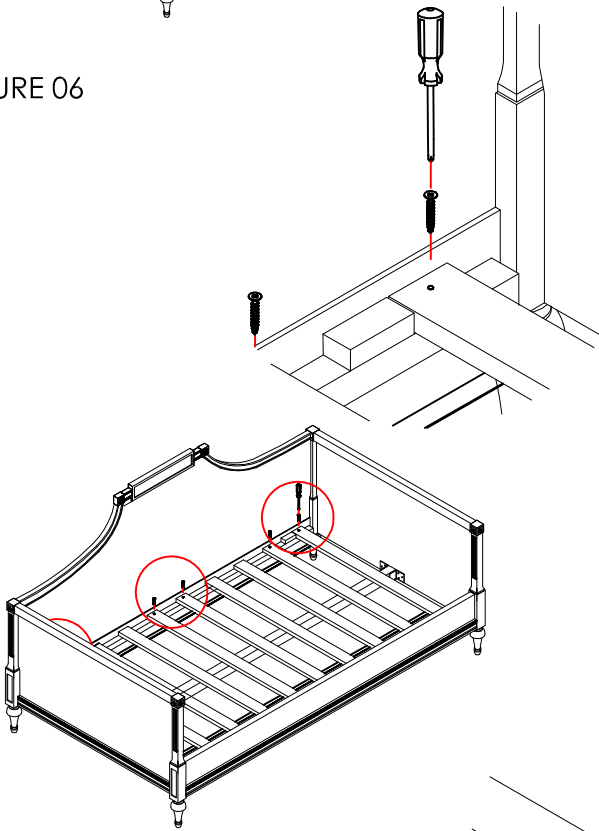
STEP #7:

On inside surface of headboard (A) and front rail (C) are pre-installed wooden stopper cleats designed to hold the set of bed slats (D). Place bed slats (D) on both headboard (A) and front rail (B), with the last slat on either side of the stopper cleat, to hold the slats in place. Refer to **figure 05**.

STEP #8

On both sides and middle part of installed bed slats (D) are pre-bored holes for the screws. Secure installed bed slats (D) to headboard (A) and front rail (c) using Phillips screws (9) provided. Please see **figure 06**.

FIGURE 06



STEP #9

On top end of headboard (A) and end panel (B) are holes with insert nut pre-installed that corresponds on the threaded road of all finials (G) pre-installed. Align the threaded rod of the finials (G) into the insert nuts on top and turn clockwise to tighten. Refer to **figure 07**

FIGURE 07

