

baby&child

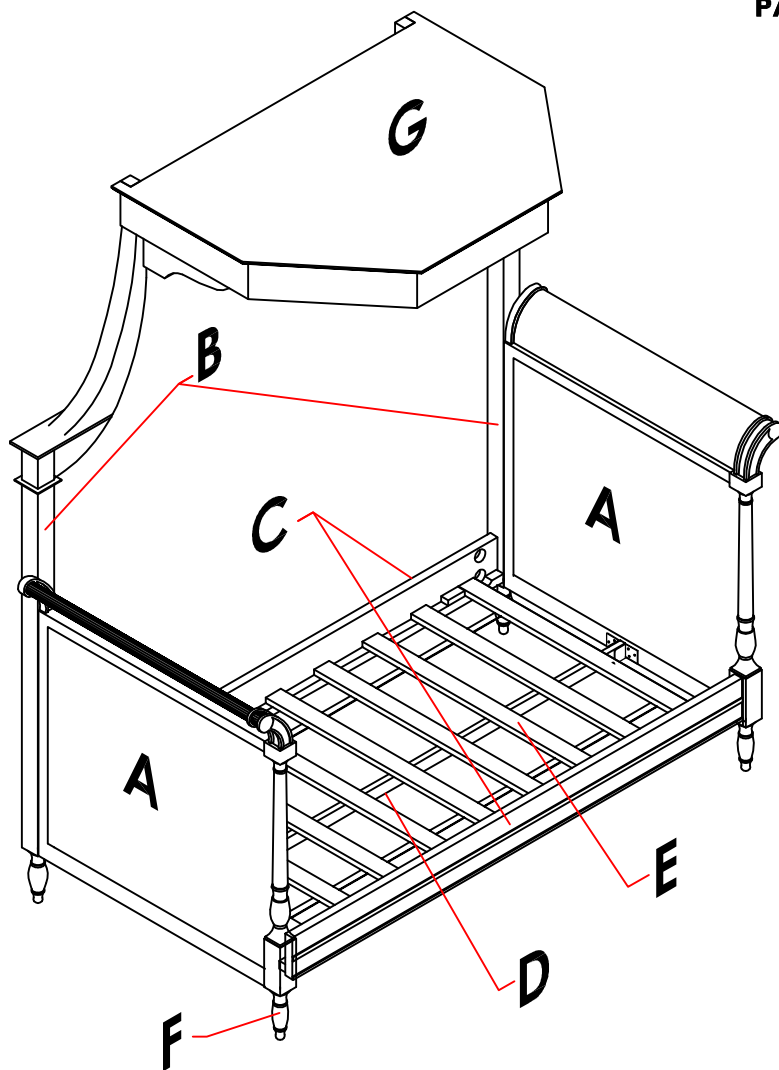
RESTORATION HARDWARE

OPHELIA ALCOVE BED

⚠ WARNING: ADULT ASSEMBLY ONLY OWING TO THE PRESENCE OF SMALL PARTS, SHARP POINTS AND EDGES







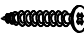


IMPORTANT

These bed parts can be cumbersome and heavy to some people, therefore the assistance of two or more people is recommended in order to prevent personal injury and ensure the bed parts are not damaged during the assembly process.



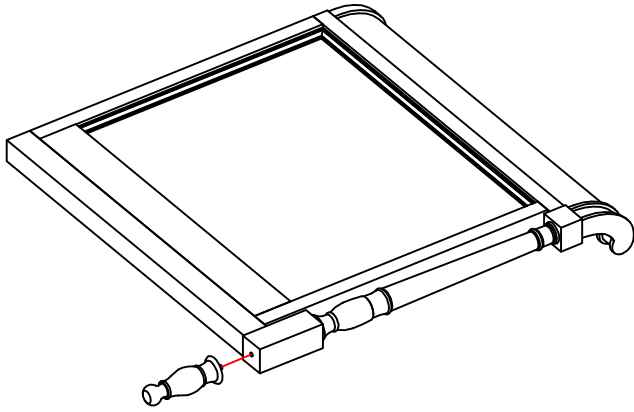
PART LIST

- A END PANELS
- B POSTS
- C SIDE RAILS
- D CENTER SUPPORT RAIL
- E SET OF BED SLATS
- F LEGS
- G CROWN

NO.	DESCRIPTION		QTY.
1		Threaded rod	8PCS
2		Allen head bolt	8 PCS
3		Plain washer	8 PCS
4		Lock washer	16 PCS
5		Slotted curved washer	8 PCS
6		Hexagonal nut	8 PCS
7		Phillips wood screw	12 PCS
8		Open wrench	1 PC
9		Allen wrench	1 PC

Customer Service - If you are missing parts or have any question about this product please contact us at 1-800-762-1751

FIGURE 01



ASSEMBLY INSTRUCTIONS:

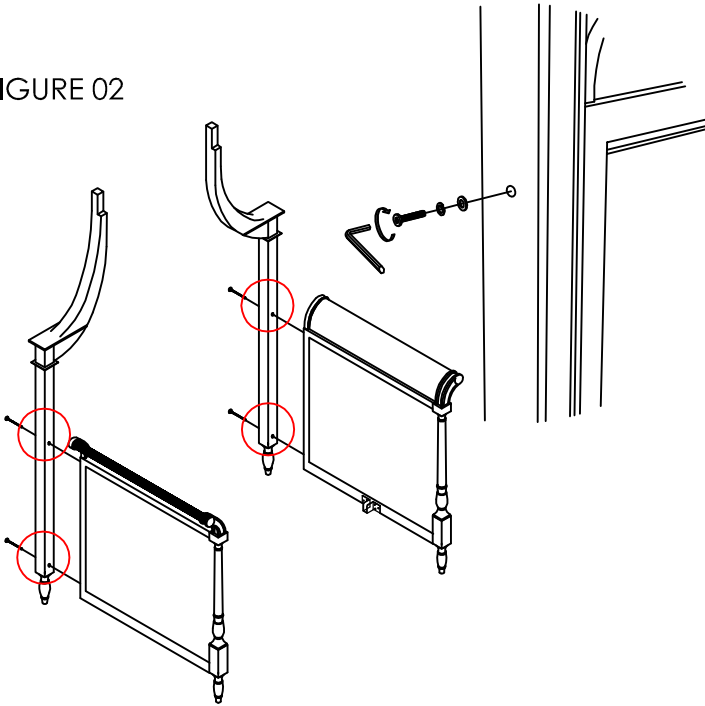
Thank you for choosing this quality product. Be sure to check all packaging materials carefully for small parts that may have become loose during shipment and place all parts on a non-abrasive surface.

INSTRUCTIONS:

STEP #1: LEG ASSEMBLY

Gently lay the end panels (A) and posts (B) on their back on a flat and non abrasive surface. Align and insert the threaded rod of the leg (F) into the holes and turn clockwise to tighten. Please see sketch in **FIGURE 01**.

FIGURE 02

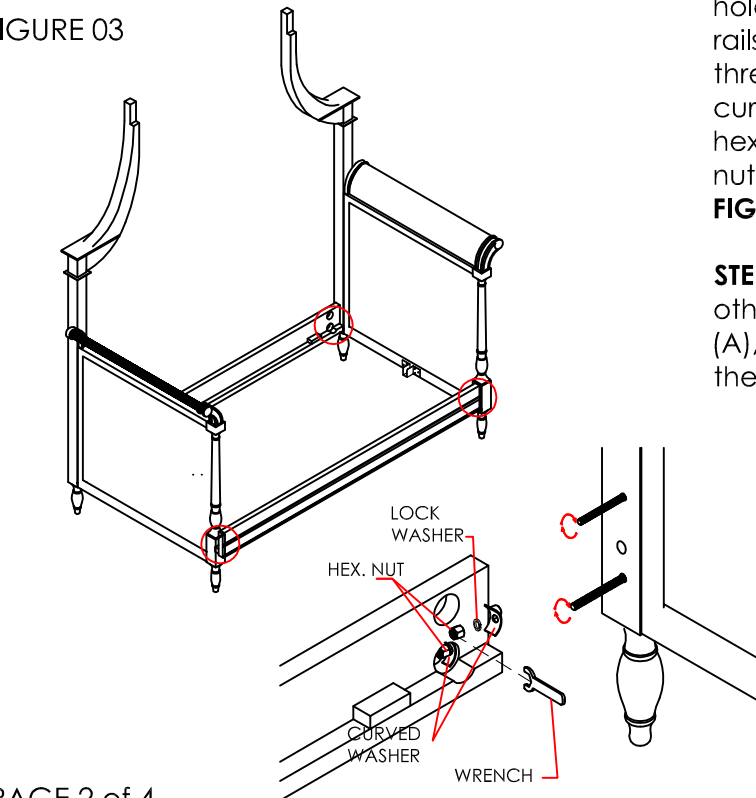


STEP #2: END PANELS AND POST ASSEMBLY

Bring the end panels (A) and posts (B) to upright position and align the holes for Allen bolt (2). Insert Allen bolt (2) through each hole together with plain washers (3) and lock washers (4) then tighten with Allen wrench (9) provided. Refer to **FIGURE 02**.

NOTE: DO NOT OVER TIGHTEN

FIGURE 03



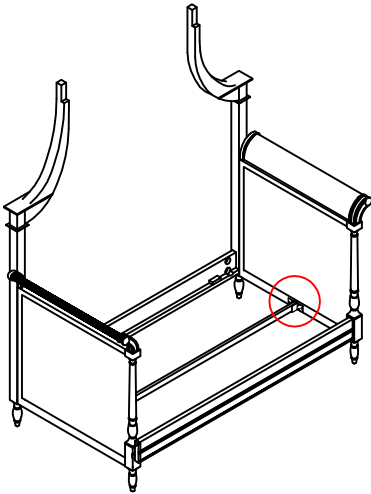
STEP #3 SIDE RAIL ASSEMBLY

Set both end panels (A) with the post (B) upright in the position you wish the bed to be in when fully assembled. Set the end panels facing each other. Secure the threaded rod (1) to the fixed nut in the end panels (A) and post (B) by simply turning it manually. Raise the side rail (C) up and place the rod (1) to align with the pre-bored holes on the end of the side rails (C). Put the side rails (B) up against the end panels (A) so the threaded rods go through the bore holes. Insert curved washer (5) and lock washer (4), engage hex nuts (6) on threaded rod (1) and tighten hex nuts (6) with open wrench (6), as illustrated in **FIGURE 03**.

STEP #4: Repeat the above procedure with the other side rail (C) to attach it to the end panels (A), and then repeat to connect side rails (C) to the Post (B).

After assembly re-tighten all bolts and nuts to snug fit. **DO NOT OVER TIGHTEN.**

FIGURE 04



STEP #5: CENTER SUPPORT RAIL ASSEMBLY

On inside surface of both end panels (A) are pre-installed metal brackets for the support slat (D). Set the center support slat (D) on the metal brackets, as illustrated in **FIGURE 04**.

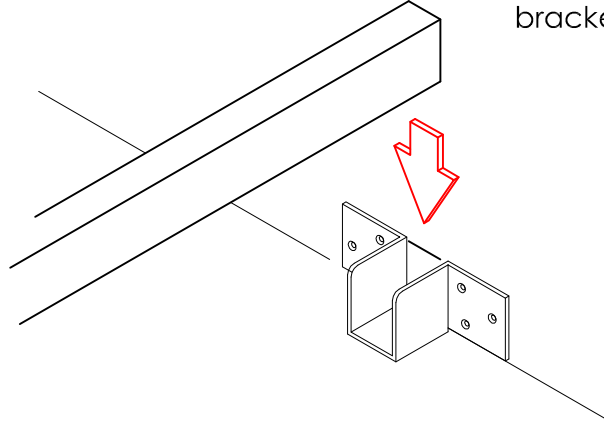
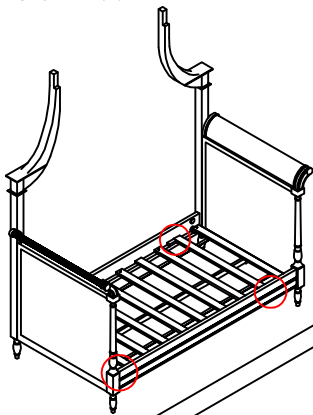


FIGURE 05



STEP #6: BED SLAT ASSEMBLY

On the inside surface of the side rails (C) are pre-installed wooden stopper cleats designed to hold the set of bed slats (E). Place bed slats (D) on both sides of the side rails (C), with the second to the last slat on either side of the stopper cleat, to hold the slats in place. Refer to **FIGURE 05**.

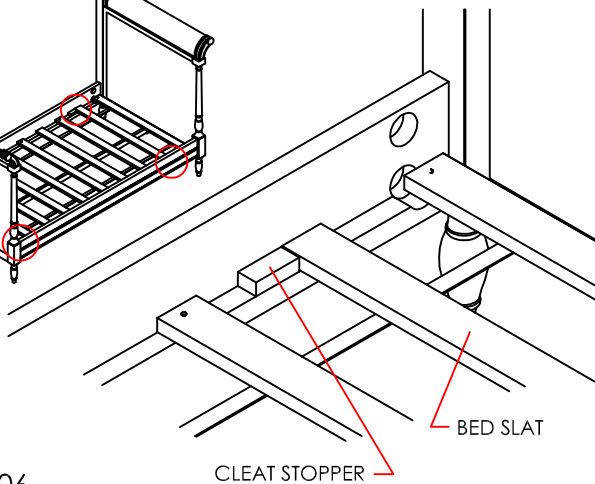


FIGURE 06

STEP #7: BED SLAT ASSEMBLY, CONTINUED

On ends of selected bed slats (E) are pre-bored holes for the screws. Secure installed bed slats (E) on both sides of the rails (C) using Phillips screws (7) provided. Please see **FIGURE 06**.

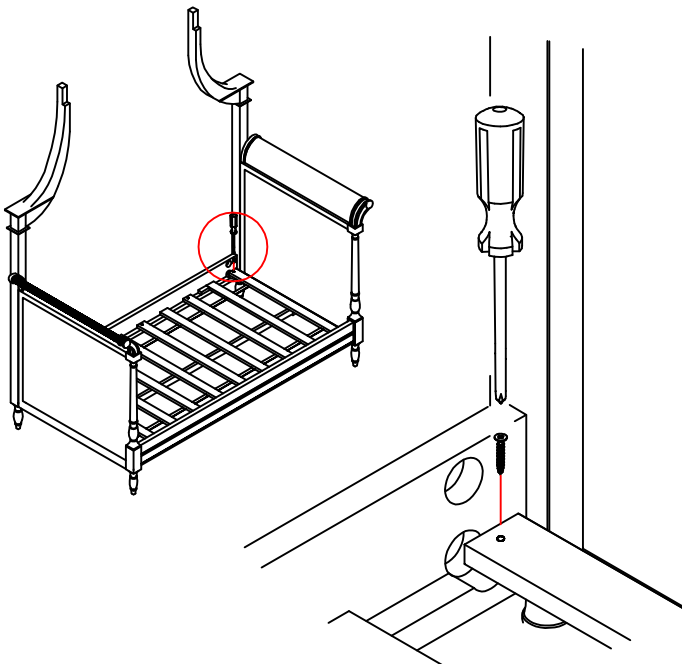
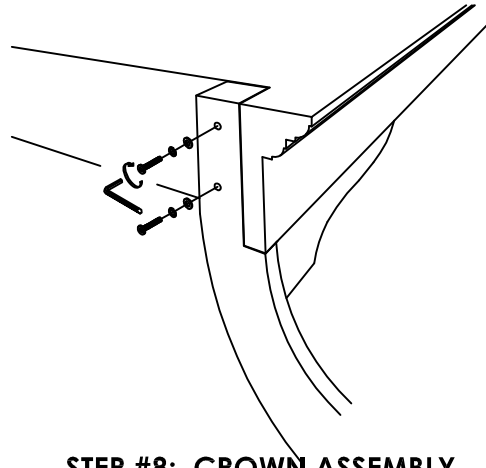
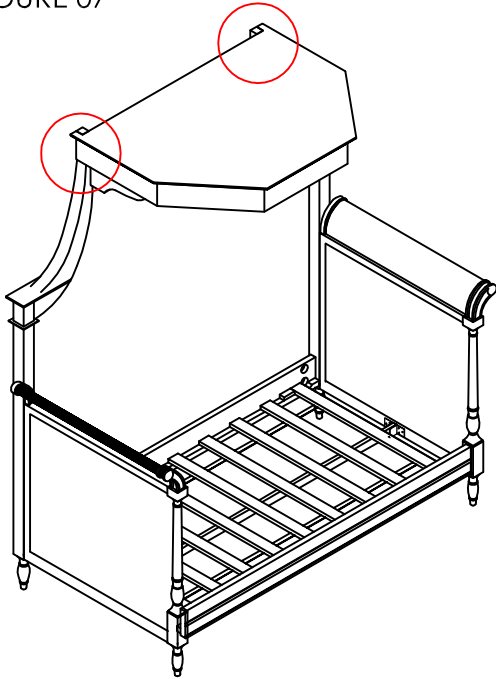


FIGURE 07



STEP #8: CROWN ASSEMBLY

On top of the posts (B) are holes for the bolt to pass through that correspond to the cavities of the crown (G) with insert nut pre- installed. Bring the crown to top of the posts (B) and align the holes for Allen bolt (2). Insert Allen bolt (2) in each hole and tighten with Allen wrench (9) provided. Please see **FIGURE 07**.

PART LIST

- A [4] PLASTIC BRACKET
- B [2] RESTRAINT STRAP
- C [4] PHILIPS SCREWS M4 x 30mm
- D [4] PHILIPS SCREWS M4 x 20mm
- E [4] PLASTIC ANCHOR

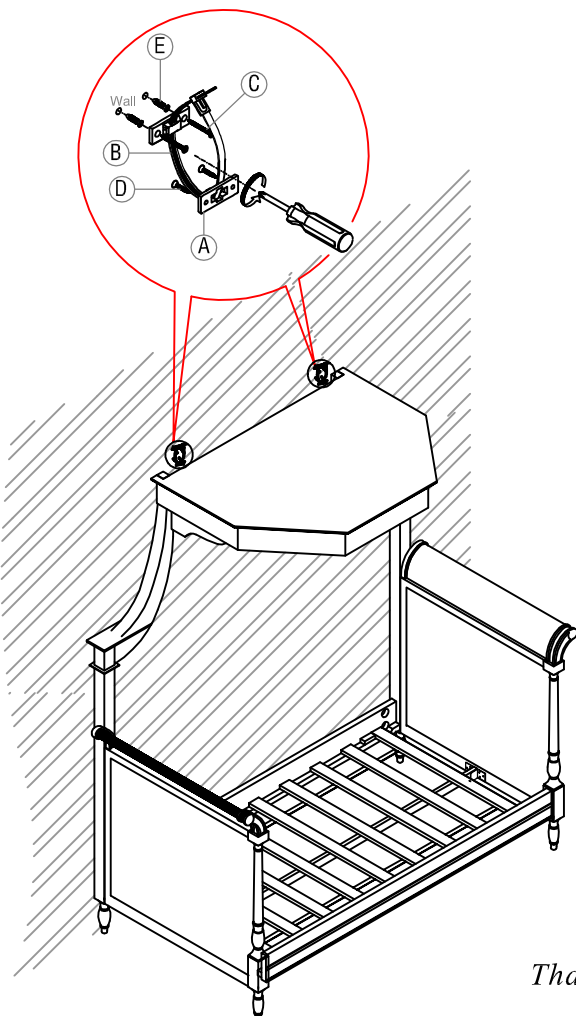


BED RESTRAINT INSTRUCTIONS

When properly installed, this restraint could provide protection against the unexpected tipping of furniture due to small tremors, bumps or climbing. We recommend mounting this restraint to a wall stud.

WARNING : This product is only a deterrent. It is not a substitute for proper adult supervision.

1. Attach two of the mounting brackets near the top back edge of the crown of the bed by inserting the shorter screw.
2. Determine the final position of the bed. Mark locations on the wall approximately 2" below the brackets mounted to the back of the crown.
3. Drill a shorter hole into the wall stud. If wall stud is not available, drill a hole into the wall and insert plastic anchor. Gently tap the anchor until the flange is flush with the wall.
4. Attach the second set of brackets by inserting the longer screw through the bracket and into the wall.
5. Place the furniture so that the brackets on the back edge are in line with the brackets in the wall.
6. Lace one end of the nylon restraint strap down through each bracket. Bring both ends together and slide the beaded end until it snap locks into the keyhole slot.
7. To double lock; return the beaded end back through the keyholes as shown.
8. Check to make sure the straps are securely laced and locked to the brackets



Thank you for your purchase.
rhhbabyandchild.com