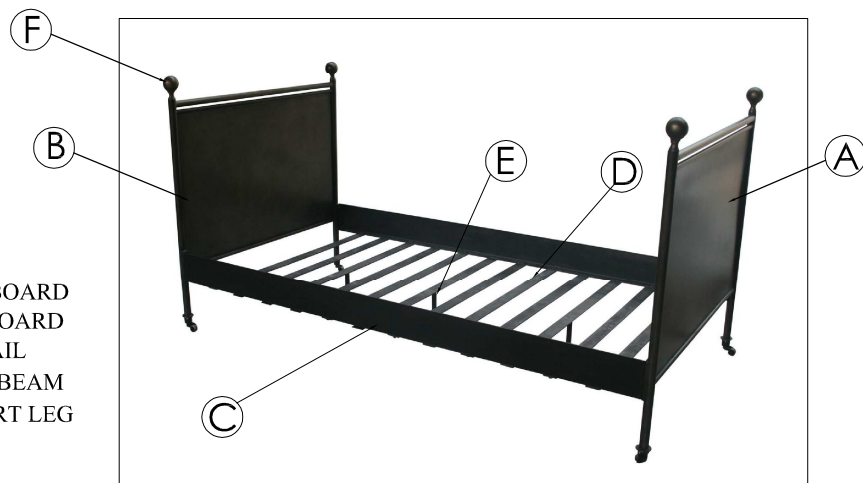


## VINTAGE FRENCH OFFICER'S BED



### PART LIST

- A[1] HEADBOARD
- B[1] FOOTBOARD
- C[2] SIDERAIL
- D[12] CROSSBEAM
- E[3] SUPPORT LEG
- F[4] FINIAL

### Tools needed

-Philip head screwdriver (Not provided)

NO.	Description	Q'TY
1.	Allen bolt	8Pcs
2.	Flat washer	8Pcs
3.	Lock washer	8Pcs
4.	Allen key	1Pc
5.	Bolt	27Pcs
6.	Nut	24Pcs
7.	Wrench	1Pc

### ASSEMBLY INSTRUCTION

#### Step 1:

- Position the side rail(C) beside the headboard (A) and align the hole at the end with holes on the headboard as shown in STEP 1.
- Insert the flat washer(2)onto the Allen bolt (1) and tighten the bolt using the Allen key(4).
- Repeat the procedure with the other side rail and to attach side rails to footboard.

#### Step 2:

- Position the crossbeams(D) under the side rails(C) and secure with bolt and nut by tightening with wrench(7).

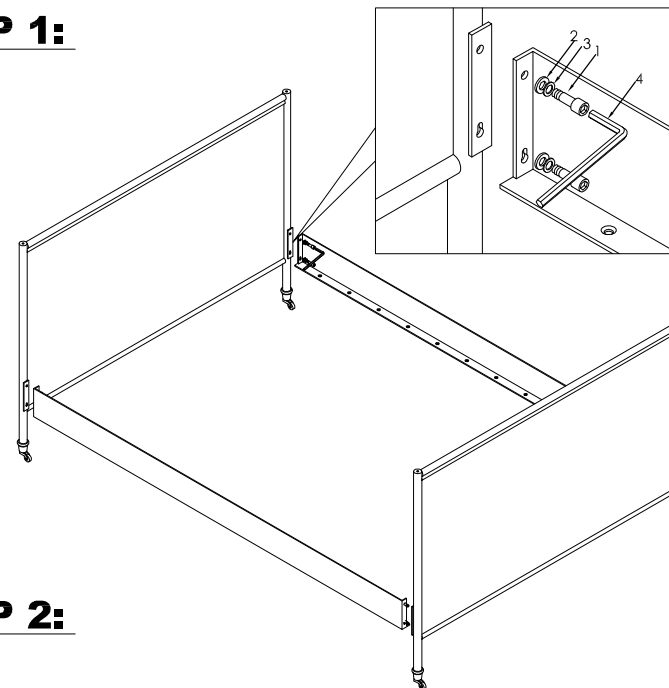
#### Step 3:

- Position the support legs(E) under three of the crossbeams(D) and secure with bolt(5) by tightening with Allen key(4). (see STEP 2)

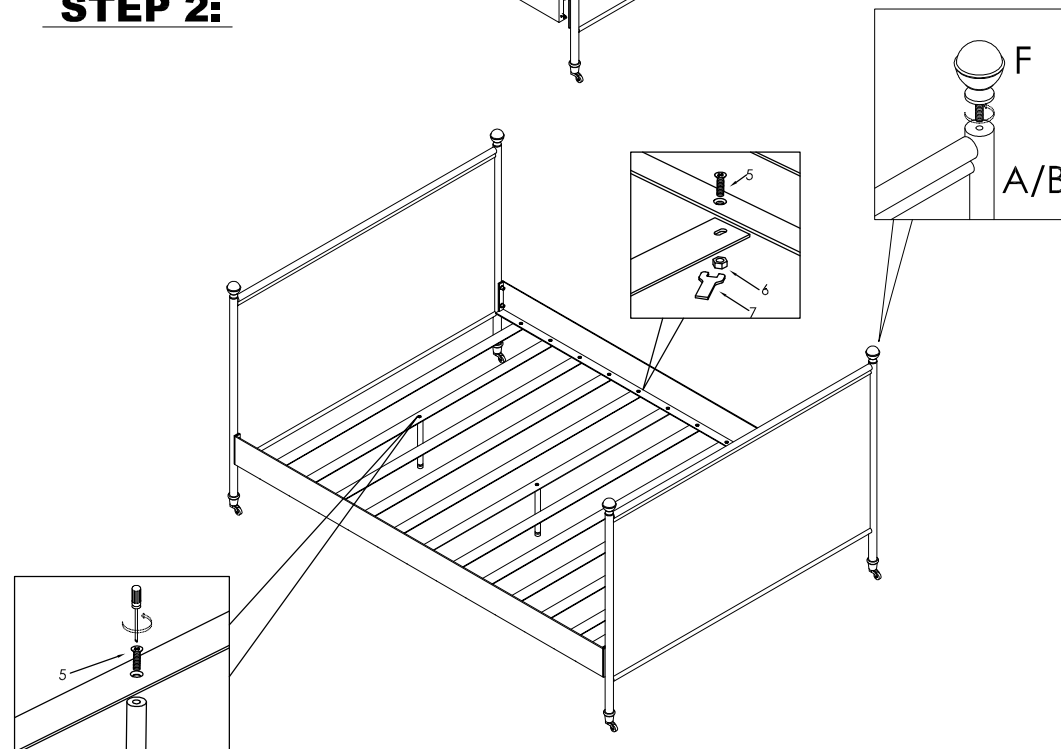
#### Step 4:

- Insert the Finials(F) into openings in headboard(A) and footboard(B) and twist until fully tightened(see STEP2).

### STEP 1:



### STEP 2:



Thank you for your purchase

www.rhbaby&child.com

Page 2 of 2