

# baby&child

RESTORATION HARDWARE

All Restoration Hardware bunk beds are designed to meet the highest safety standards and comply with all U.S. and Canadian Bunk Bed regulations.

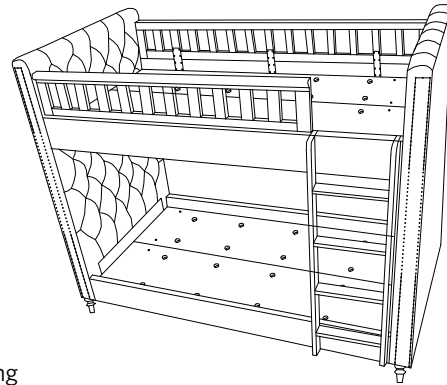
Model No: RH58KBK


Made In China

“Chesterfield Bunk Bed With Ladder On Right/Left ”

Restoration Hardware Baby & Child  
11640 Harre remove ekstra 1 Street Suite B  
Mira Loma, CA 91752  
www.rhbabyandchild.com

Distributed in Canada by:  
Restoration Hardware Canada, Inc.  
1500-1005 West Georgia Street,  
Vancouver, British Columbia V6E 4N7



 **WARNING:** Read all instructions before assembling this product. **KEEP INSTRUCTIONS FOR FUTURE USE.**

## CUSTOMER SERVICE

If you are missing parts or have any questions about this product, contact us first. You can also order parts writing to the address above. Include the product model number, color, and a brief description of the part. Call 1-800-762-1751

## CARE AND CLEANING

DONOT use abrasive chemicals for cleaning. Dust often using a clean, soft dry cloth add period & Dab spills quickly with a soft cloth. Vacuum to remove dust.

If the Bunk Bed is to be stored, store in a cool dry place and carefully package all original hardware to protect from loss.

## IMPORTANT SAFETY INFORMATION FOR BUNK BED

1. Follow the information on the WARNINGS appearing on the upper bunk end structure and on the carton. Do not remove warning label from bed
2. Always use the specified size mattress, to help prevent the likelihood of entrapment or falls
3. Surface of mattress must be at least 5 inches below the upper edge of guardrails on top bunk
4. Do not allow children under 6 years of age to use upper bunk.
5. Prohibit more than one person on upper bunk
6. Periodically check and ensure that the guardrails, ladder, and other components are in their proper position, free from damage, and that all connectors are tight.
7. Do not allow horseplay on or under the bed and prohibit jumping on the bed.
8. Always use the ladder for entering and leaving the upper bunk.
9. Do not use substitute parts. Contact Restoration Hardware for replacement parts.
10. Use of a night light may provide added safety precaution for a child using the upper bunk.
11. Use guardrails on both sides of the upper bunk.
12. If the bunk bed will be placed next to a wall, the guardrail that runs the full length of the bed should be placed against the wall to prevent entrapment between the bed and the wall.
13. The use of water flotation mattress is prohibited.
14. STRANGULATION HAZARD - Never attach or hang items to any part of the bunk bed that not designed for use with the bed: for example, but not limited to, hooks, belts, and jump ropes
15. Keep these instructions for future reference.

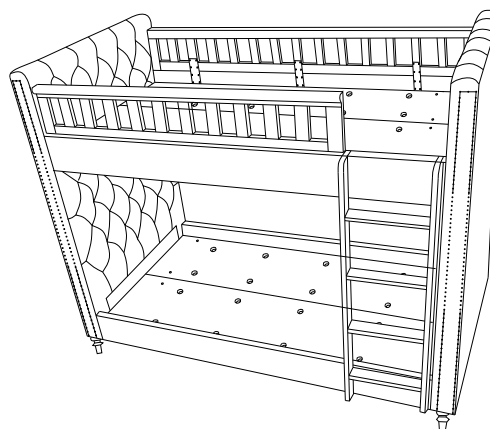
**⚠ WARNING:**

To help prevent serious or fatal injuries from entrapment or falls;

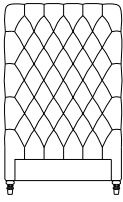
- Never allow a child under 6 years on upper bunk.
- Use only mattress which in 74"-75" long and 37 1/2"-38 1/2" wide on upper bunk.
- Ensure thickness of mattress and foundation combined does not exceed 7" and mattress is at least 5" below upper edge of guardrails.
- Use guardrails on both sides of upper bunk.
- Prohibit horseplay on or under bed(s).
- Prohibit more than one person on upper bunk.
- Use ladder for entering and leaving upper bunk.

STRANGULATION HAZARD - Never attach or hang items to any part of the bunk bed that are not designed for use with the bed; for example, but not limited to, hooks, belts, and jump ropes.

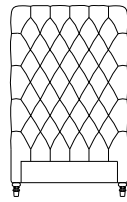
DO NOT REMOVE THIS LABEL



**PARTS INCLUDE**



(1) Left Bunk End - 1 pc



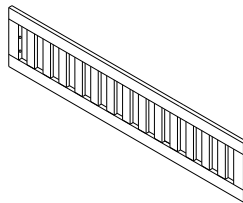
(2) Right Bunk End - 1 pc



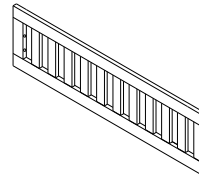
(3) Back Side Rail - 2 pc



(4) Front Side Rail - 2 pcs



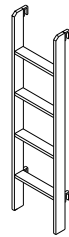
(5) Back Guard Rail - 1 pc



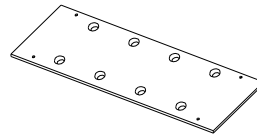
(6) Front Guard Rail - 1 pc



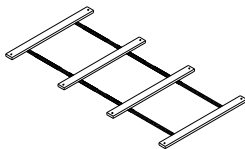
(7) Bed Foot - 4 pcs



(8) Ladder - 1 pc










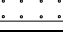


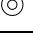
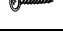
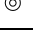

(9) Twin Panel - 4 pcs




(10) Twin Slat Roll - 2 sets

## HARDWARELIST

### HARDWARELIST

NO.	HARDWARE & PARTS ENCLOSED		Qty
A		Threaded Rod	17 pcs
B		Curved Washer	17 pcs
C		Spring Washer	17 pcs
D		Nut	17 pcs
E		Spanner Wrench	1 pcs
F		Big Screw (4cm)	17 pcs
G		Medium Screw (2.5cm)	65 pcs
H		Metal plate	6 pcs
I		Allen Key	1 pcs
J		Allen Head Bolt	7 pcs
K		Big Flat Washer	7 pcs
L		Small Screw (1.5cm)	4 pcs
M		Small Flat washer	4 pcs
 The hardware is packed in box 2 with Bed Feet.			

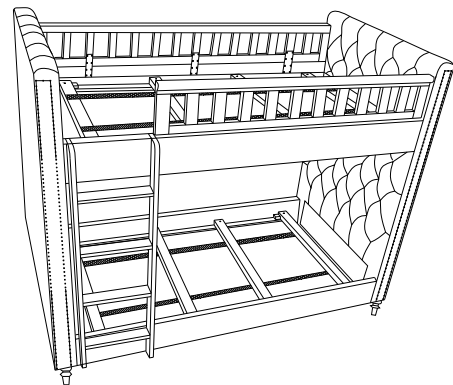
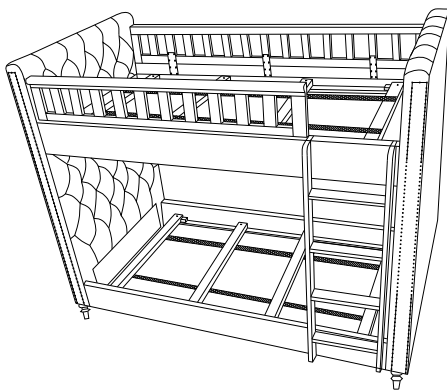
### TOOLS NEEDED:

Screwdriver Phillips (Not included) 

### ASSEMBLY INSTRUCTION

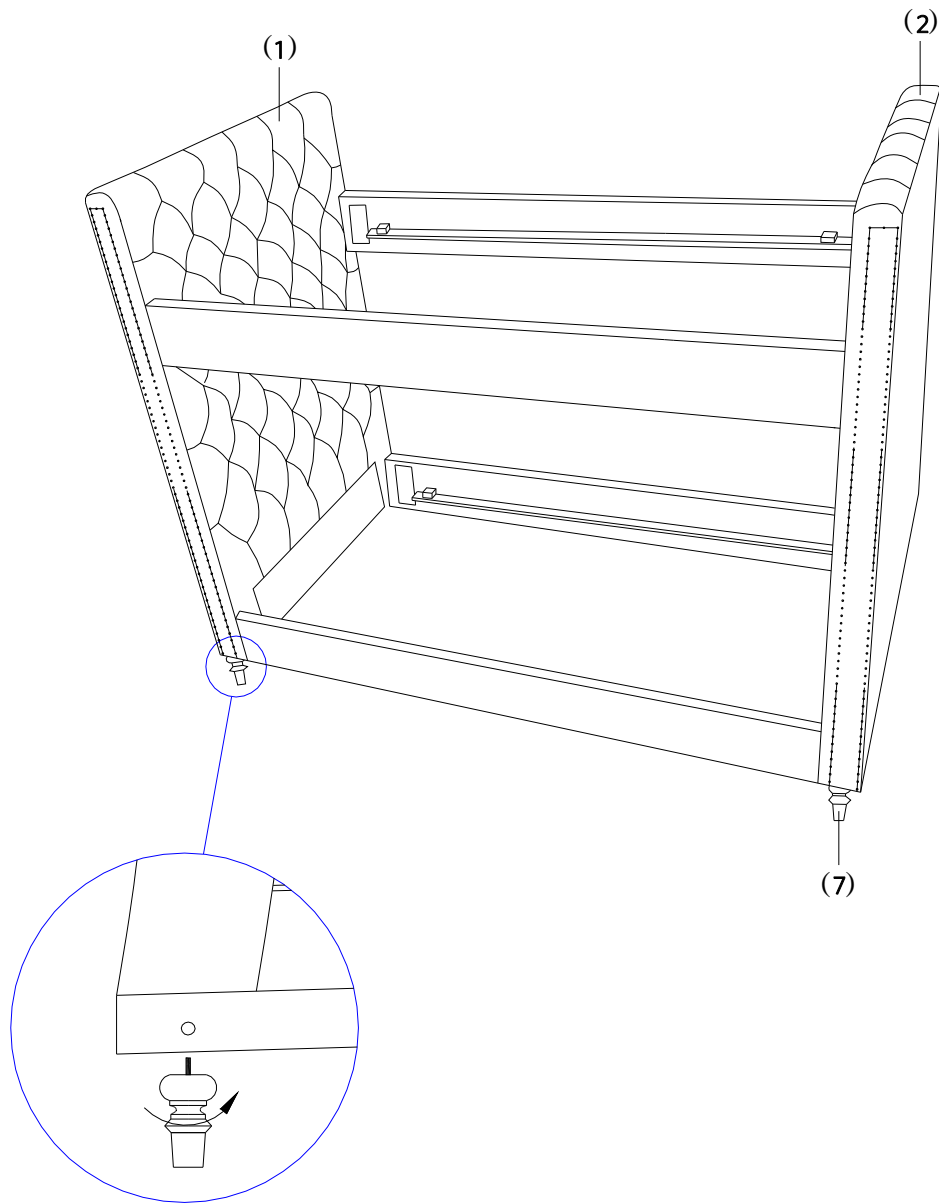
#### Note:

- Bed must be assembled by at least two people.
- Please read instructions carefully before assembling bed.
- Use the above parts and fittings list to identify each component.
- Keep all packing materials until assembly is complete to avoid loss of smaller parts.
- Do not completely tighten all bolts until all steps are finished.

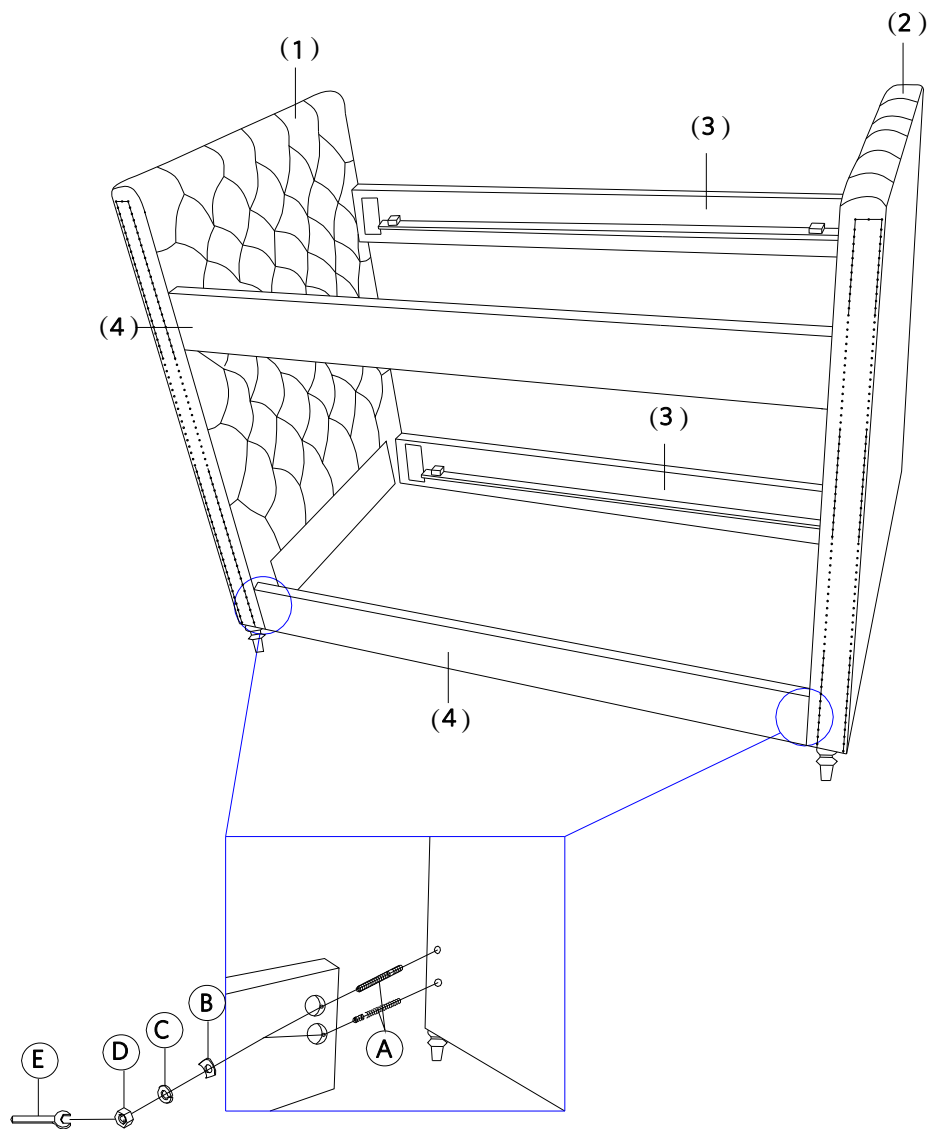


**Process:**

**Step 1:** Attach Bed Feet (7) to left Bunk End (1) and Repeat the procedure with Right Bunk End (2).



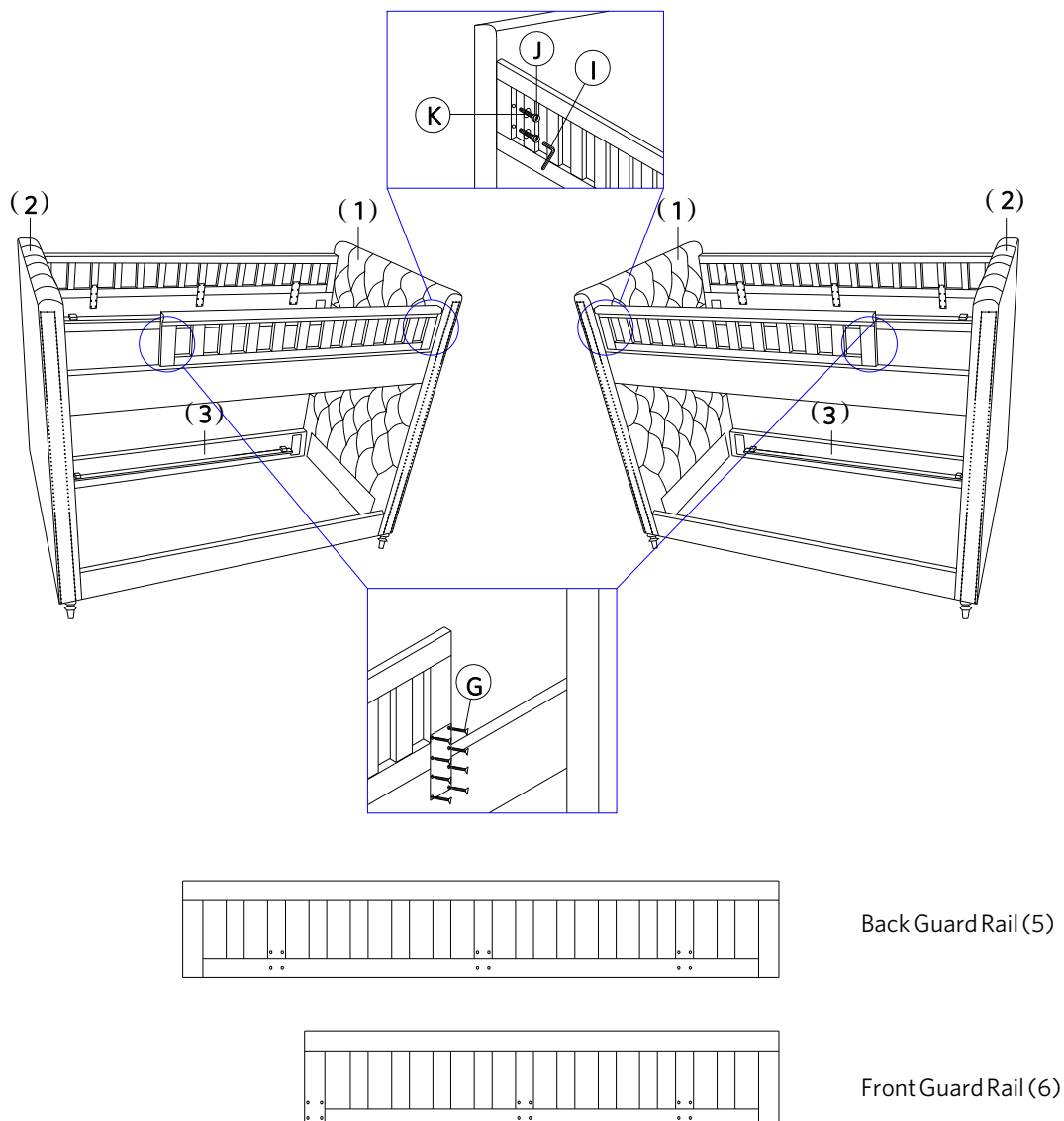
**Step 2:** Attach Front Side Rail (4) to Left Bunk End (1) and Right Bunk End (2). Insert the Threaded Rods (A) into the holes on the end of Front Side Rail (4), and insert Curved Washers (B), Spring Washers (C), and Nuts (D) onto the Threaded Rods (A) to attach the Left Bunk end (1) and Right Bunk End (2). Tighten the Nut (D) and Threaded Rod (A) with Spanner Wrench (E). Repeat the procedure with Back Side Rails (3).



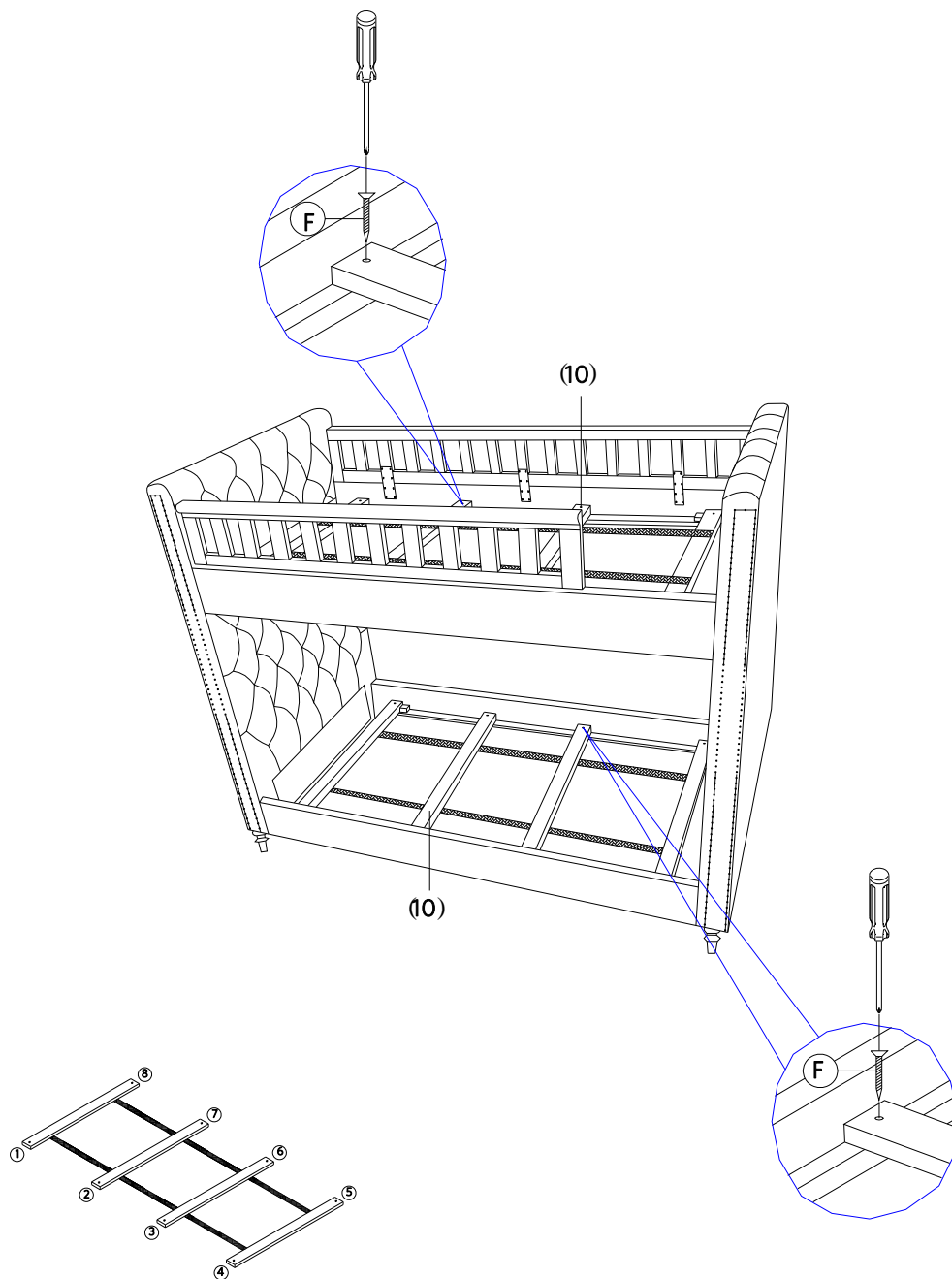
**Step 3:** Attach Back Guard Rail (5) to Left Bunk End (1) and Right Bunk End (2), by using the Allen Key (I) to tighten Allen Head Bolts (J) and Big Flat Washers (K);

**Step 4:** Attach Front Guard Rail (6) with Allen Head Bolts (J) and Big Flat Washers (K).  
For Bunks with Ladder on Left side, attach Front Guard Rail (6) to the Right Bunk End (2), so ladder sits on Left.  
For Bunks with Ladder on Right side, attach Front Guard Rail (6) to Left Bunk End (2), so ladder sits on Right.

**Step 5:** Reinforce the Back Guard Rail (5) and Front Guard Rail (6) with Metal Plates (H), by tightening with Medium Screws (G);



**Step 6:** Lay the Twin Slat Roll (10) in between the Front Side Rail (4) and Back Side Rail (3), then tighten with Big Screws (F).

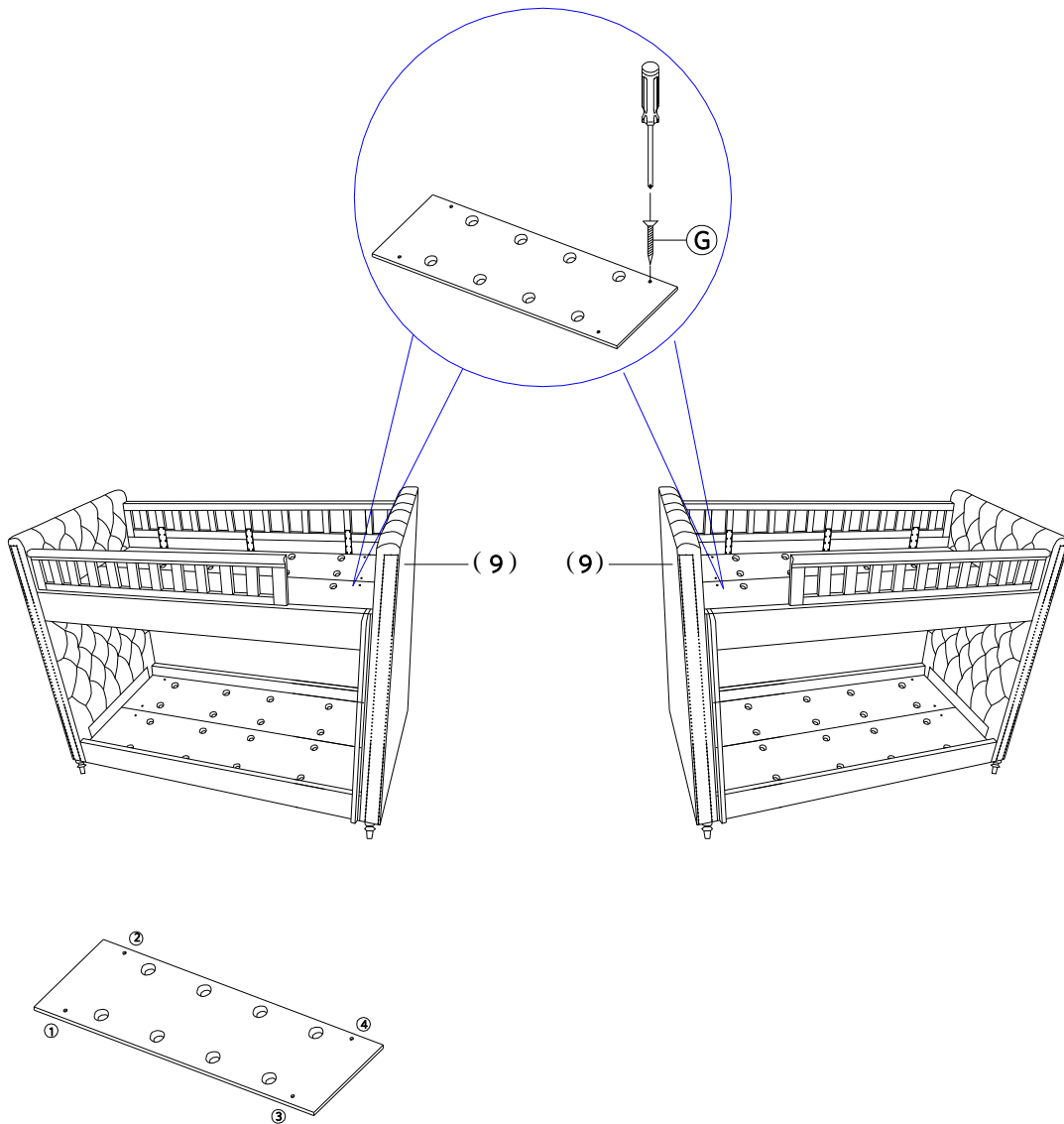


-The webbing on the slats should be on the bottom side.

-Numbers on the slat roll show the locations to tighten the Big Screws

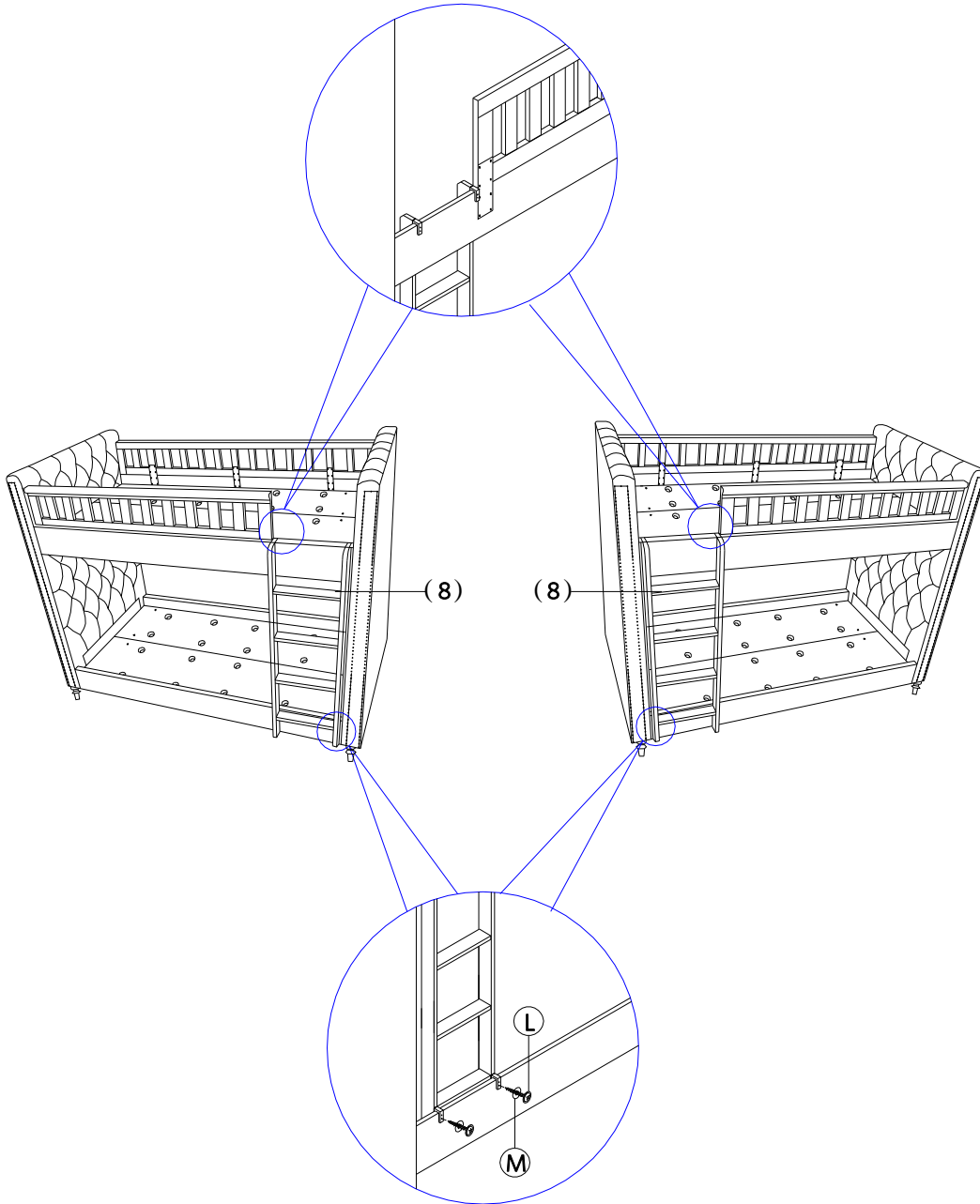


**Step 7:** Lay the Twin Panels (9) on top of the Slat Roll (10), and tighten with Medium Screws (G).



- Numbers on the panel show the locations to tighten the Medium Screws.

**Step 8:** Attach Ladder (8) to Front Side Rail (4) and tighten with Small Screws (L) and Small Flat Washers (M).



**Step 9:** Install Bedding:

**BEDDING SPECIFICATION:**

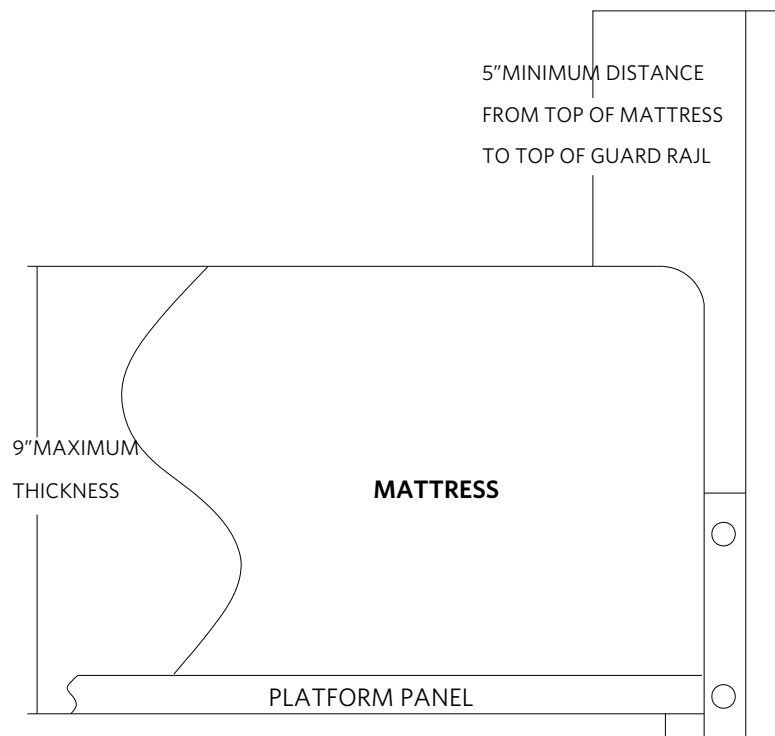
The following size mattress and Foundation are specified for use with this Bunk bed;

**MATTRESS:** 53-1/2"W × 74" to 75"L × Maximum 7"H

**PLATFORM PANEL:** CONSISTING OF 4 PANELS (74.8"W × 26.6"L × 0.7"H)

**\*\* Note:** MATTRESS AND PLATFORM PANEL MUST NOT EXCEED 9" TOTAL THICKNESS. Be sure to adhere to these BEDDING SPECIFICATIONS in order to avoid the possibility of failing or entrapment. THIS SPECIFICATION MUST BE STRICTLY ADHERED TO!

**FULL BUNK MATTRESS DIAGRAM**



Thank you for your purchase

[www.rhbabyandchild.com](http://www.rhbabyandchild.com)