

# baby&child

RESTORATION HARDWARE

## TATUM BOOKCASE



**WARNING:** ADULT ASSEMBLY ONLY OWING TO THE PRESENCE OF SMALL PARTS, SHARP POINTS AND EDGES

**Customer Service-** If you are missing parts or have any questions about this product, please contact us at: 1-800-762-1751

### CARE INSTRUCTIONS:

- Dust often using a clean, soft, dry lint-free cloth.
- Blot spills immediately, and wipe with a clean, damp cloth.
- We do not recommend the use of chemical cleansers, abrasives, or furniture polish on our lacquered finish.

### FURNITURE TIPPING RESTRAINT :

Young children may be injured by tipping furniture and the use of a tipping restraint is highly recommended. When properly installed, this restraint could provide protection against the unexpected tipping of furniture due to small tremors, bumps or climbing. We recommend mounting this restraint to a wall stud.

**WARNING :** This product is only a deterrent. It is not a substitute for proper adult supervision.

### TOOLS NEEDED:

- Phillips head screwdriver (not provided)

### HARDWARE LIST:

(4) Plastic brackets



(4) Phillips screws M4x20mm



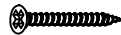
(2) Restraint straps



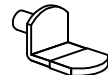
(4) Plastic anchors



(4) Phillips screws M4x30mm

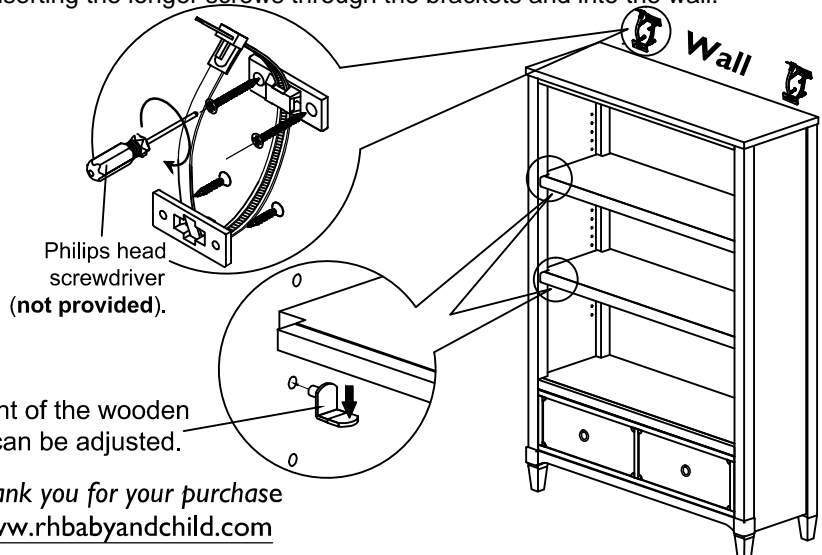


(8) Shelf Clips



### ASSEMBLY INSTRUCTIONS:

1. Attach one set of the mounting brackets near the top back edge of the furniture piece by inserting the shorter screws.
2. Determine the final position of the furniture piece. Mark locations on the wall approximately 2" below the brackets mounted to the back of the furniture.
3. Drill starter holes into the wall stud. If wall stud is not available, drill holes into the wall and insert plastic anchors. Gently tap the anchors until the flange of the anchors is flush with the wall.
4. Attach the second set of brackets by inserting the longer screws through the brackets and into the wall.
5. Place the furniture so the brackets on the back edge are in line with the brackets in the wall.
6. Lace one end of the nylon restraint straps down through each bracket. Bring both ends together and slide the beaded ends until it snap locks into the keyhole slot.
7. To double lock; return the beaded ends back through the keyholes as shown.
8. Check to make sure the straps are securely laced and locked to the brackets.



Thank you for your purchase  
[www.rhbabyandchild.com](http://www.rhbabyandchild.com)