

AVA CHANGING TABLE ASSEMBLY INSTRUCTIONS


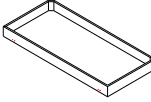

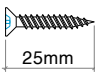
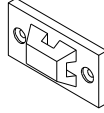
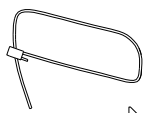
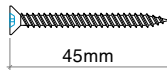
⚠ **WARNING:**

FALL HAZARD-To prevent death or serious injury from falls, always keep child within arms reach. NEVER LEAVE CHILD UNATTENDED and always use restraining system.

This changing system is intended for using with children weighing up to 30 lbs.

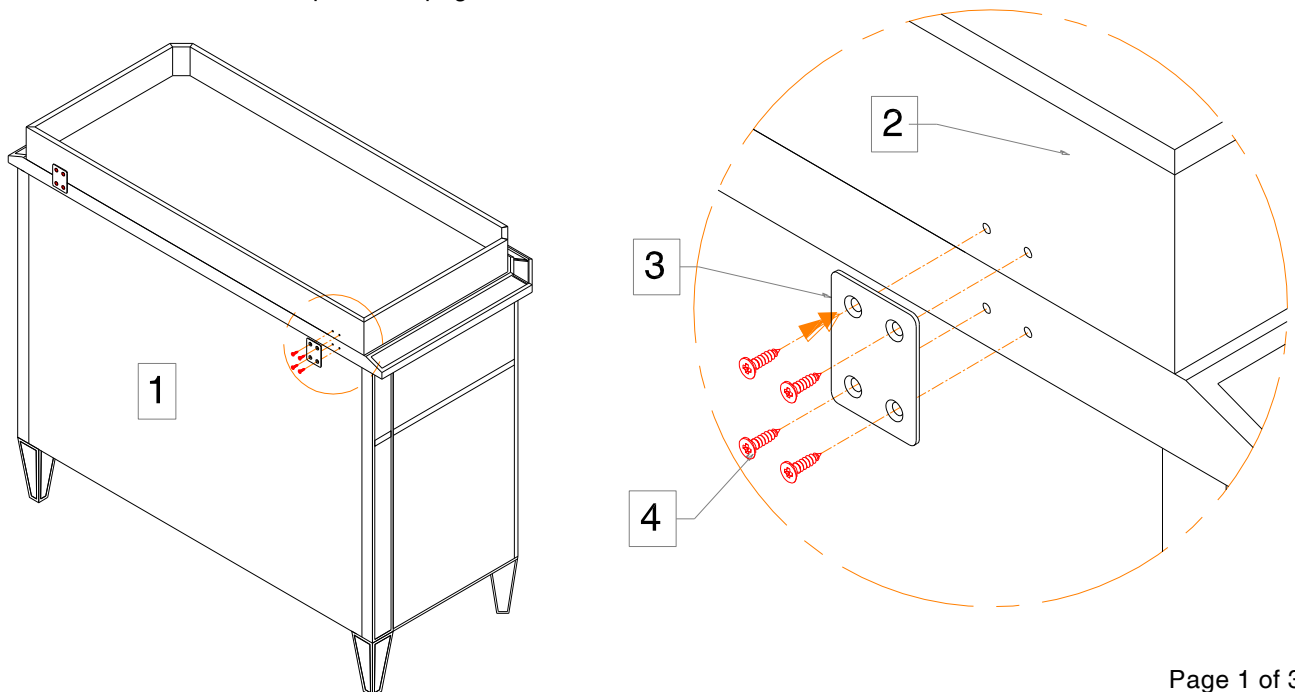
AVA CHANGING TABLE TOPPER will be used with AVA CABINET, with size 40"W x 18"D x 35"H. Cushion Pad size is 32"W x 16"D x 4"H

Parts Included :

Ava Cabinet [1]		1pc
Ava changing table topper [2]		1pc
Steel connecting plates [3]		2pcs
Product side mounting screws [4]		12pcs
Plastic mounting bracket [5]		4pcs
Nylon zip tie		2pcs
Stud mounting screws [6]		4pcs

Instructions to fit the Ava Changing Table Topper to the Top of The Ava Cabinet.

1. Locate 4 pre-drilled holes on the top back side of the Ava Cabinet and align with 4 pre-drilled holes in Ava Topper.
2. Screw 2 steel connecting plates into the pre-drilled holes using 8 screws provided.
3. Follow instructions Anti-Tip kit next page to secure this unit to the wall.



Instructions to fit anti-tip kit.

1. Locate a wall stud behind your furniture piece. Position a bracket on the stud approximately 1" below the top of the furniture. Mark and drill pilot hole into the center of the stud with a 3/32" drill bit. Attach a bracket to the stud with the long screws provided. (Detail A)
2. On the back of the furniture, attach a bracket to the furniture frame at the top. To do this, temporarily move the furniture into its final position and mark the location of the wall bracket on the furniture frame. Move the furniture away from the wall and place a bracket on the mark. Mark and drill holes for the screws with a 3/32" drill bit. Attach the bracket to the furniture with the short screws provided. (Detail B)
3. Move the furniture into its final position, taking care to line up the wall bracket with the furniture bracket. Thread a strap through the bracket as shown in the illustration. Tighten strap until snug. Do not over tighten. (Detail C)
4. Important: Check to be sure the wall bracket is firmly screwed into wall stud, the furniture bracket is firmly attached to the frame, and the strap is snug.

