

# baby&child

RESTORATION HARDWARE

## VINTAGE PARSONS PLAY TABLE

**Customer Service-** If you are missing parts or have any questions about this product, please contact us at : 1-800-762-1751




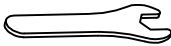
### CARE INSTRUCTIONS:

- Dust often using a clean, soft, dry lint-free cloth.
- Blot spills immediately, and wipe with a clean, damp cloth.
- We do not recommend the use of chemical cleansers, abrasives, or furniture polish on our lacquered finish.

### PART LIST

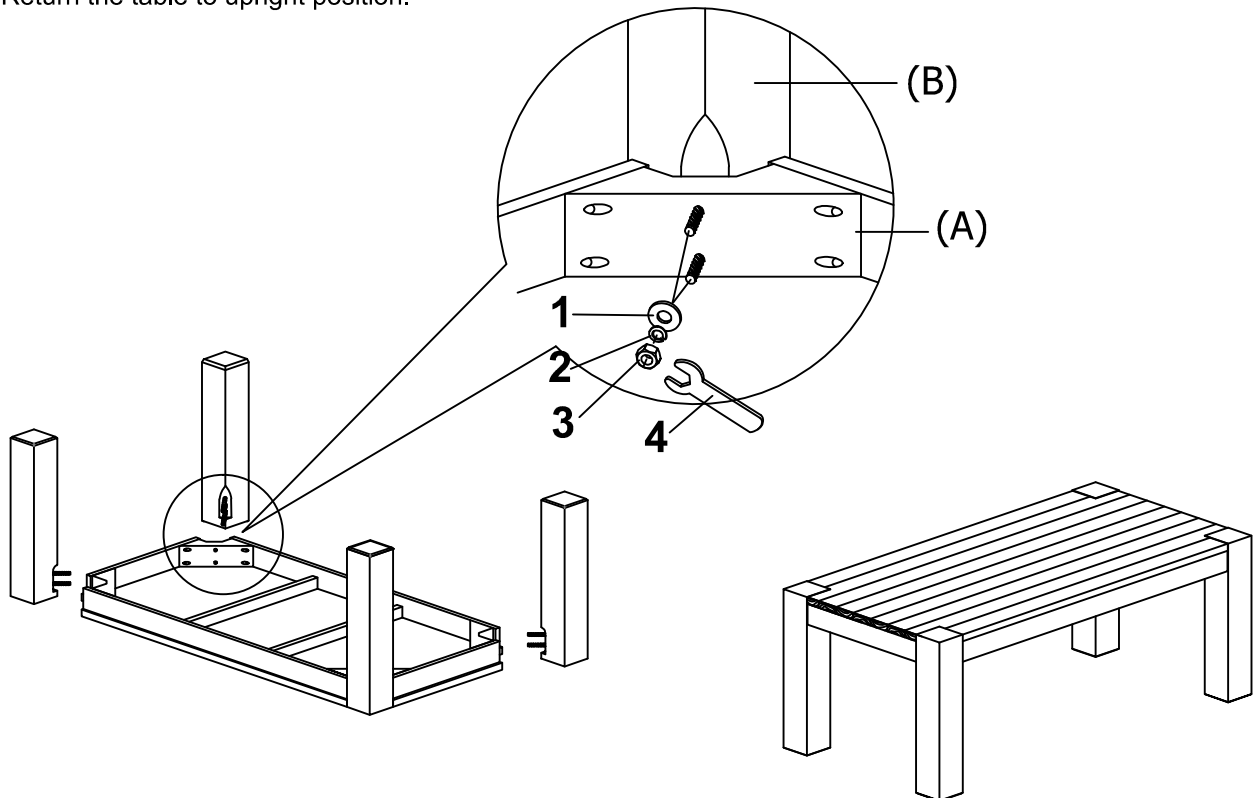
A [1] TABLE TOP
B [4] TABLE LEGS

### HARDWARE

1	5/16" FLAT WASHER		8
2	5/16" SPRING WASHER		8
3	5/16" HEX NUT		8
4	12mm HEX WRENCH		1

### ASSEMBLY INSTRUCTIONS

1. Turn Table Top (A) upside down and place on a clean padded surface, such as carpeted floor, to prevent scratches.
2. Attach the Legs (B) to the Table Top (A) with Flat Washer (1), Spring Washer (2) and Hex Nut (3) and use Hex Wrench (4) to tighten.
3. Return the table to upright position.



*Thank you for your purchase*  
[www.rhbabyandchild.com](http://www.rhbabyandchild.com)