

RHBABY&CHILD

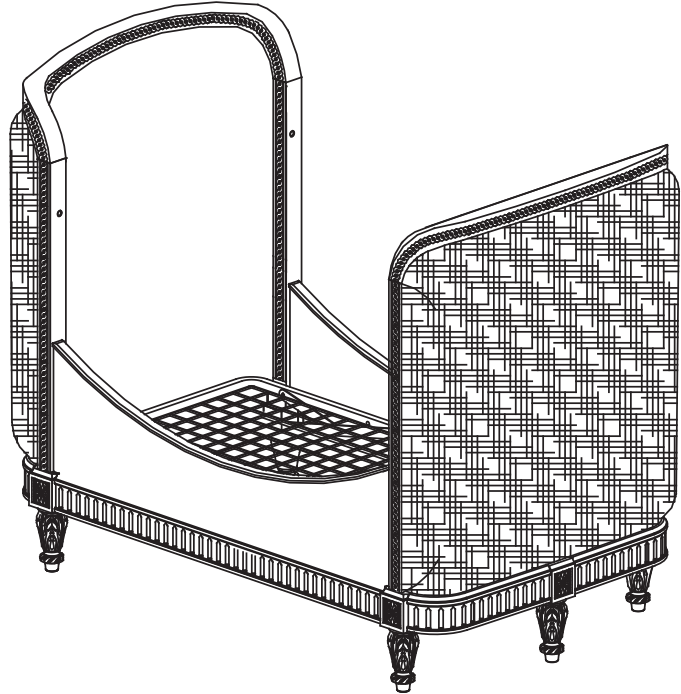
BELLE UPHOLSTERED CRIB TODDLER BED KIT

Made in Vietnam

Model No: 195-2

Distributed in the U.S.A by:
RH Baby&Child
2900 N MACARTHUR DRIVE
TRACY, CA 95376
www.rhbabyandchild.com

Distributed in Canada by:
RH Canada, Inc.
1500-1055 West Georgia Street
Vancouver, British Columbia
V6E4N7



! **WARNING:** Read all Instructions before assembling this product.
KEEP INSTRUCTIONS FOR FUTURE USE.

CUSTOMER SERVICE

If you are missing parts or have any questions about this product, contact us first. You can also order parts by writing to the address above. Include the product model number, color, and a brief description of the part. Or call 1-800-762-1751.

CARE AND CLEANING

DO NOT scratch or chip the finish. DO NOT use abrasive chemicals for cleaning. If the crib is to be stored, store in a cool, dry place and carefully package all original hardware to protect from loss.

TOOLS AND INSTALLATION

Tools needed: Key Wrench (included).

Two people are recommended for assembly.

When inserting bolts, turn clockwise until tight. Then loosen 1/2-3/4 of a turn. After bed is completely assembled, return to each bolt and tighten.



WARNING: ENTRAPMENT/STRANGULATION HAZARD

Infants have died in toddler beds from entrapment and strangulation. Failure to follow these warnings and the assembly instructions could result in serious injury or death.

NEVER use bed with children under 15 months.

NEVER place bed near windows where cords from blinds or drapes may strangle a child.

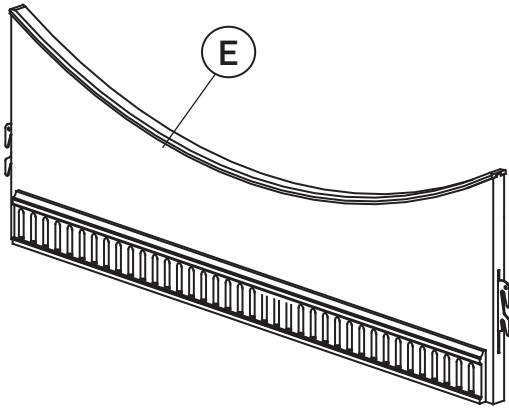
- The mattress intended for use on the bed must be a full-size crib mattress having minimum dimensions of 51 5/8 inches (1310mm) in length, 27 1/4 inches (690mm) in width and 4 inches (100mm) in thickness, not exceeding 6 inches (152mm) in thickness.
- If guardrails are used as the mattress containment means, guardrail(s) provided must be used to avoid the formation of a gap between the mattress and the bed that could cause an entrapment.
- DO NOT place bed near windows where cords from blinds or drapes may strangle a child.
- DO NOT place items with a string, cord, or ribbon around a child's neck, such as hood strings or pacifier cords.
- A child using the toddler or day bed must be at least 15 months of age and must not weigh more than 50 lbs (22.7kg).

RH BABY & CHILD

BELLE UPHOLSTERED CRIB TODDLER BED KIT

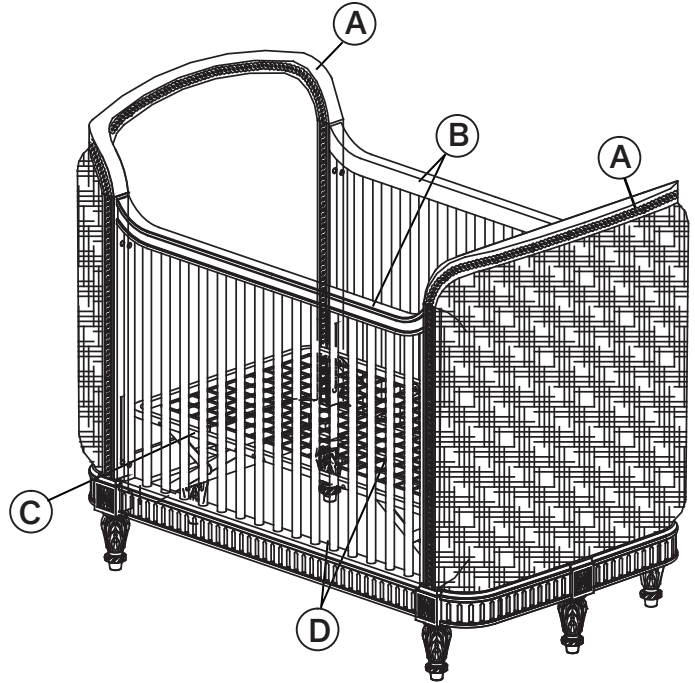
PARTS INCLUDED:

E[2] TODDLER RAIL





CRIB (SOLD SEPARATELY):

- A[2] HEADBOARD/FOOTBOARD
- B[2] STATIONARY SIDE RAILS
- C[1] MATTRESS SUPPORT
- D[2] STRETCHER BARS



HARDWARE INCLUDED:

NO.	ITEM	DESCRIPTION	QTY.
13		Short Bolts 5/16" x 3/4"	4 pcs.
14		Allen Key 4mm	1 pc.

ASSEMBLY INSTRUCTIONS

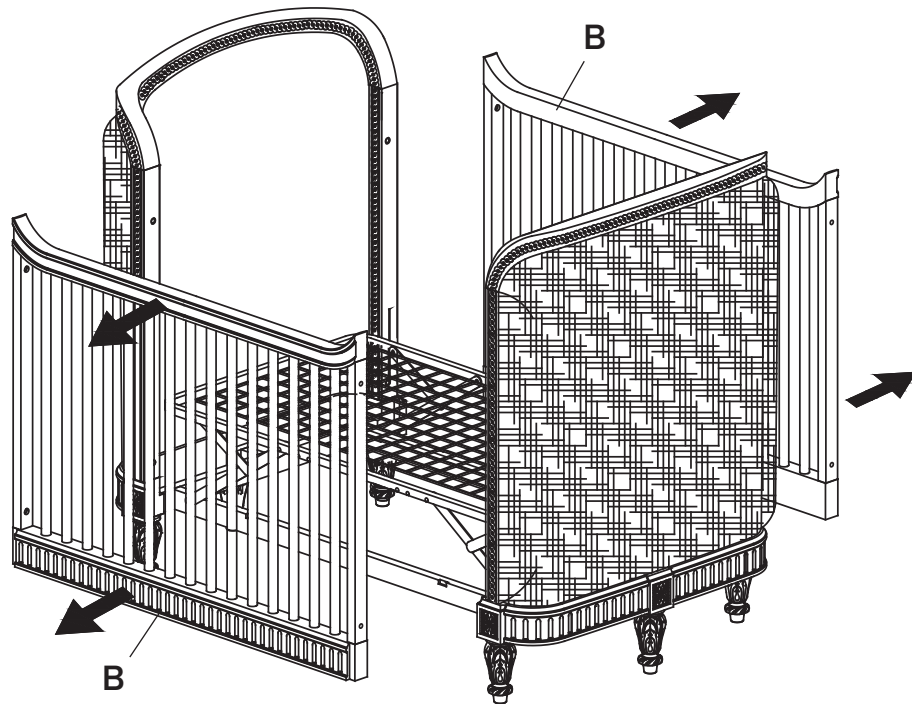
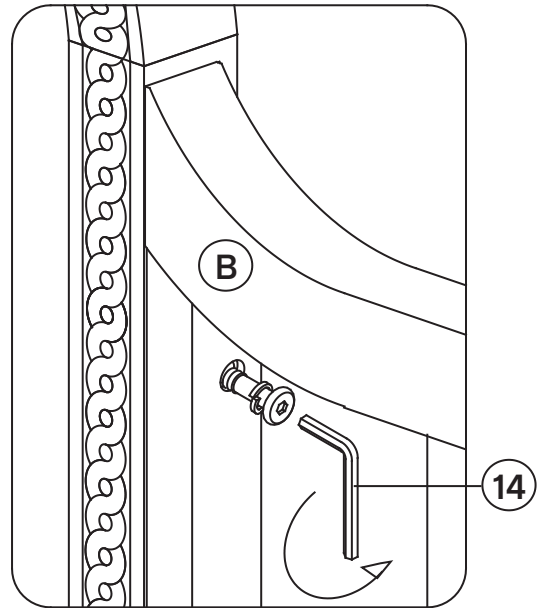
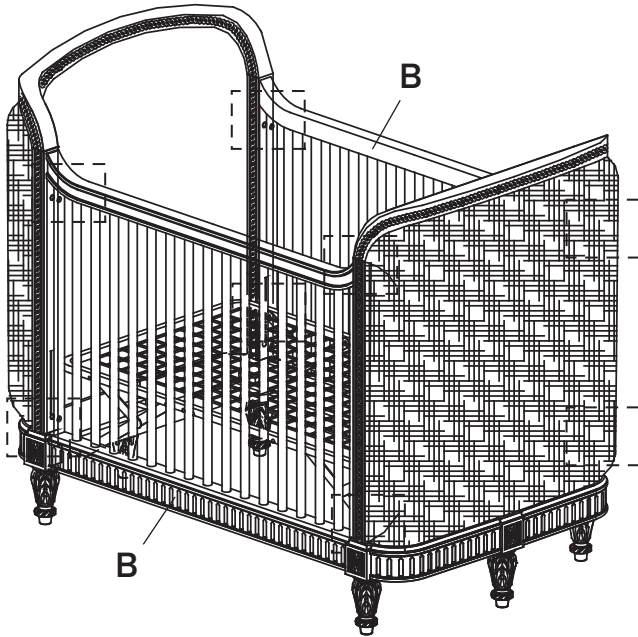
- Note:**
- Bed must be assembled by at least two people.
 - Please read instructions carefully before assembling bed.
 - Use the above parts and fittings list to identify each component.
 - Keep all packing materials until assembly is complete to avoid loss of smaller parts.
 - Do not completely tighten all bolts until all steps are finished.

RH BABY & CHILD

BELLE UPHOLSTERED CRIB TODDLER BED KIT

STEP 1:

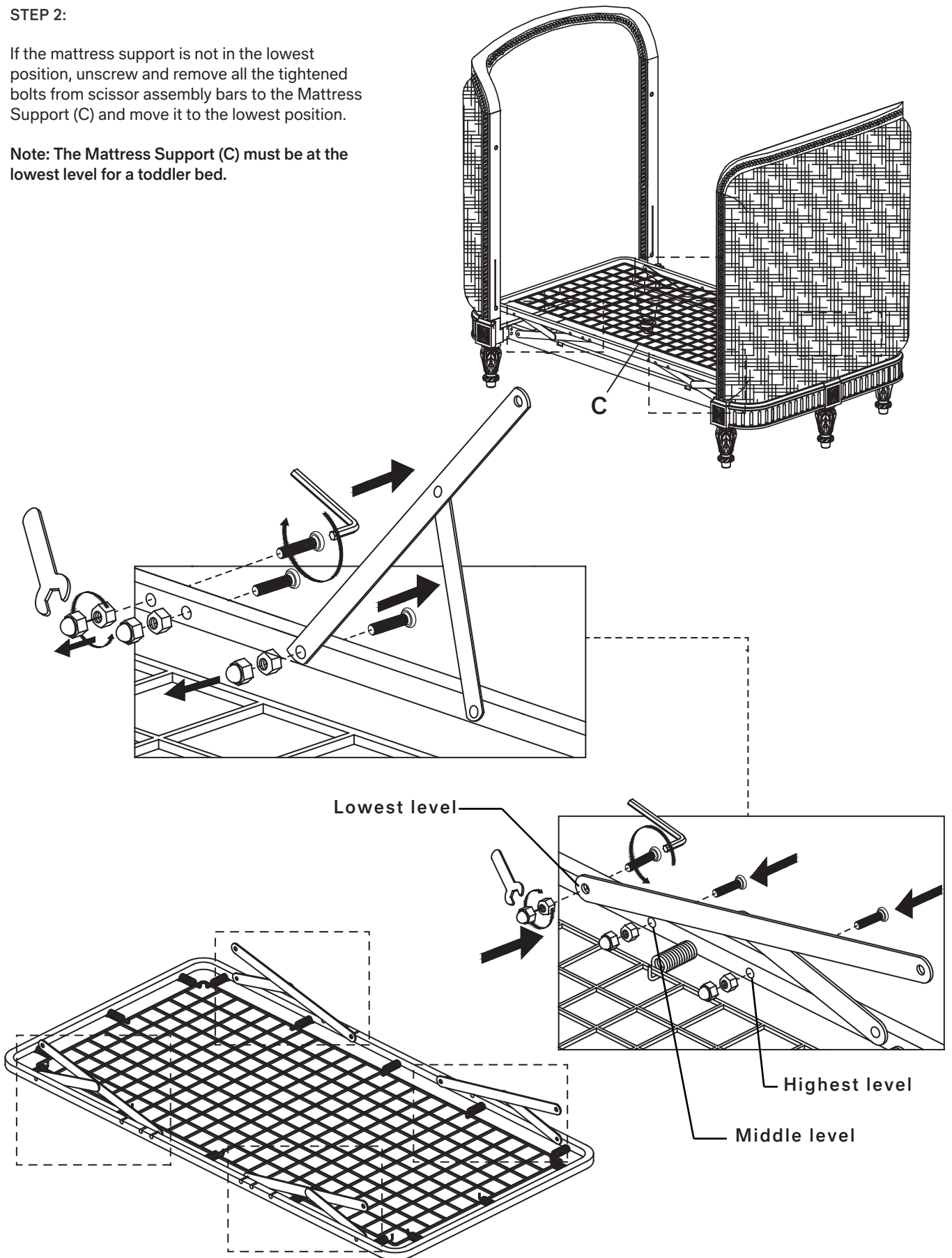
Unscrew and remove the 8 bolts on the stationary side rail using Allen Key (14). Then carefully remove stationary side rail from the crib.



STEP 2:

If the mattress support is not in the lowest position, unscrew and remove all the tightened bolts from scissor assembly bars to the Mattress Support (C) and move it to the lowest position.

Note: The Mattress Support (C) must be at the lowest level for a toddler bed.

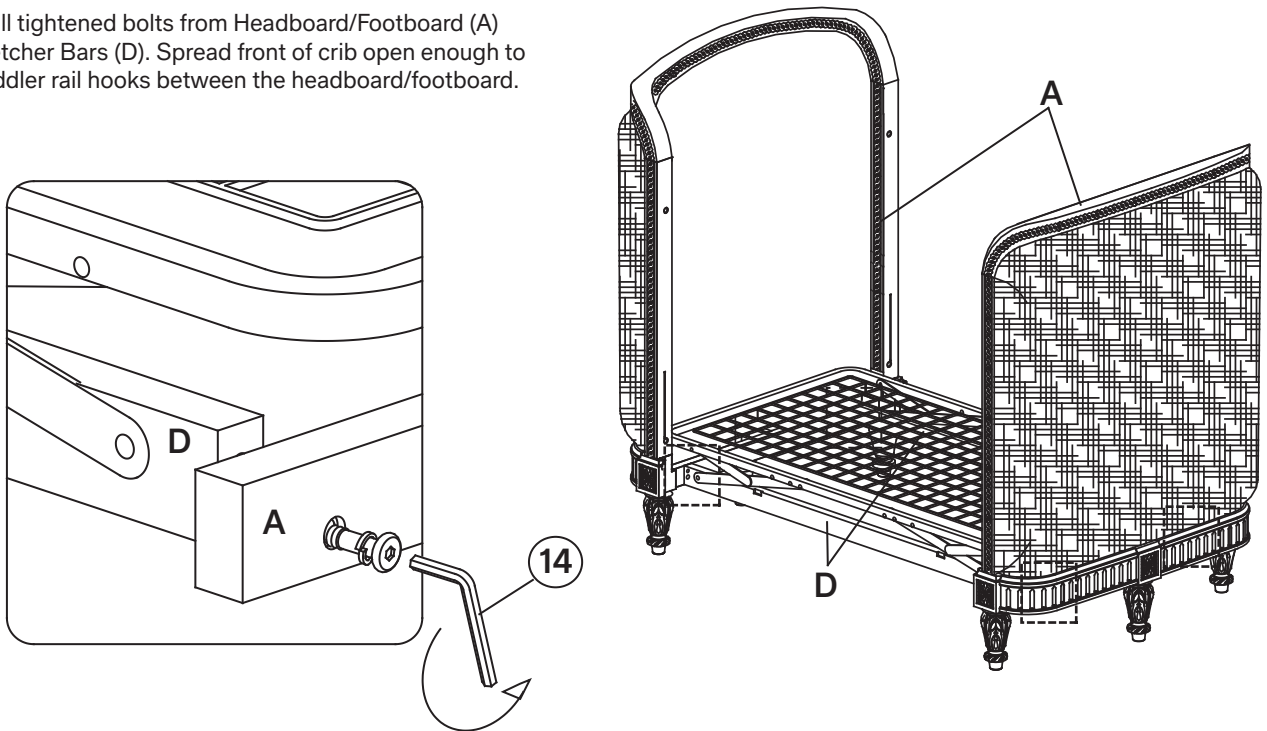


RH BABY & CHILD

BELLE UPHOLSTERED CRIB TODDLER BED KIT

STEP 3:

Loosen all tightened bolts from Headboard/Footboard (A) with Stretcher Bars (D). Spread front of crib open enough to insert toddler rail hooks between the headboard/footboard.

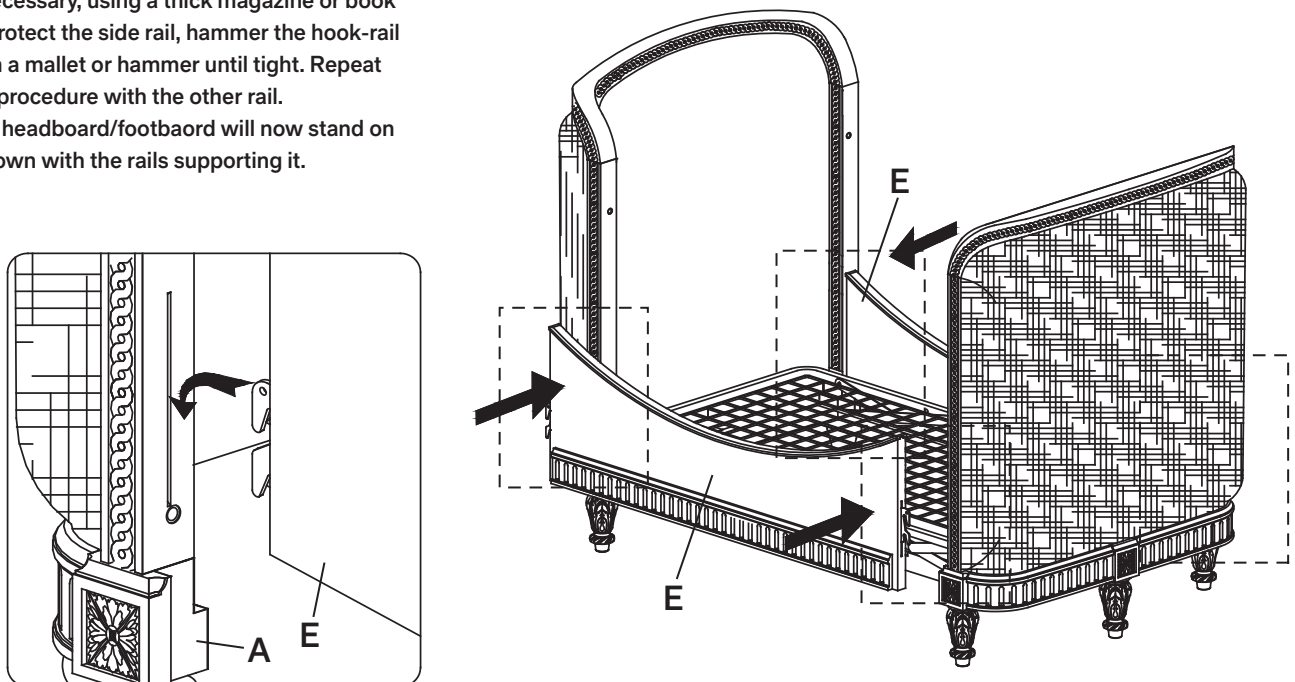


STEP 4:

Attach Toddler Rails (E) to the posts of the Headboard/Footboard (A) by hooking into provided slots while aligning the Stretcher Bars (D).

Note:

If necessary, using a thick magazine or book to protect the side rail, hammer the hook-rail with a mallet or hammer until tight. Repeat the procedure with the other rail. The headboard/footboard will now stand on its own with the rails supporting it.

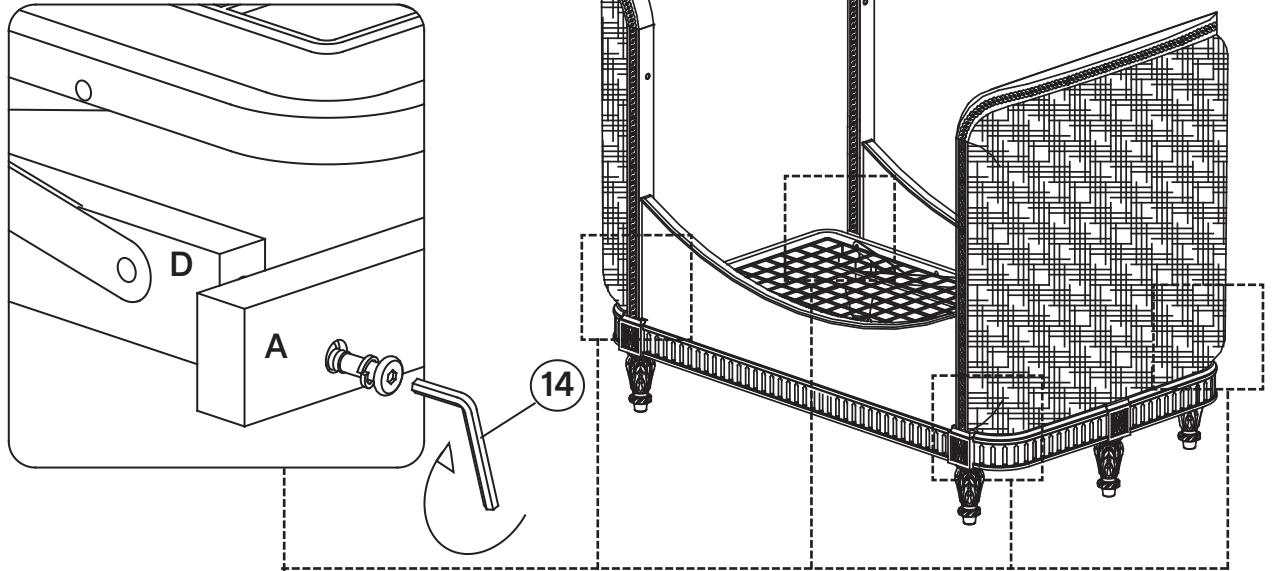


RH BABY & CHILD

BELLE UPHOLSTERED CRIB TODDLER BED KIT

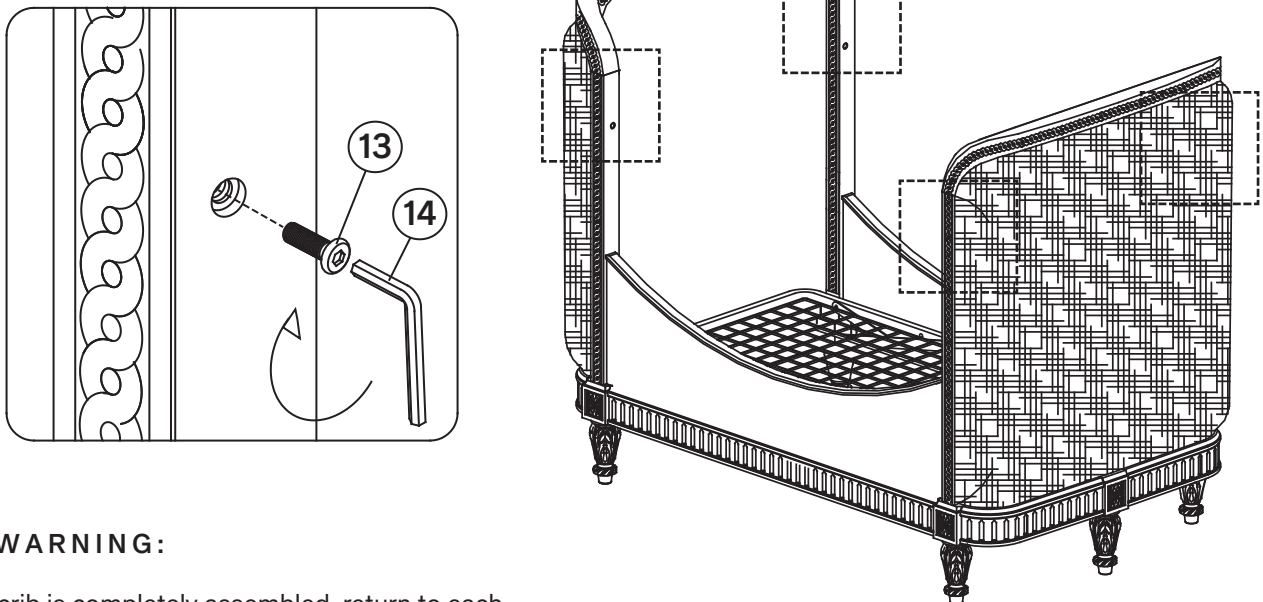
STEP 5:

Retighten bolts to snug fit.



STEP 6:

When converting the crib to toddler bed, the Short Bolts (13) should be inserted in the upper holes of the Headboard/Footboard (A), and tightened with the Allen Key (14).



! WARNING:

After crib is completely assembled, return to each bolt and tighten to snug fit. DO NOT over tighten.

CARE INSTRUCTIONS:

1. DUST OFTEN USING A CLEAN, SOFT, DRY LINT- FREE CLOTH.
2. BLOT SPILLS IMMEDIATELY AND WIPE WITH A CLEAN, DAMP CLOTH.
3. DO NOT USE CHEMICAL CLEANSERS, ABRASIVES OR FURNITURE POLISH ON THE LACQUERED FINISH.