

RHBABY&CHILD

Model No: 355 - 14
CALLUM TWIN-OVER-TWIN BUNK BED

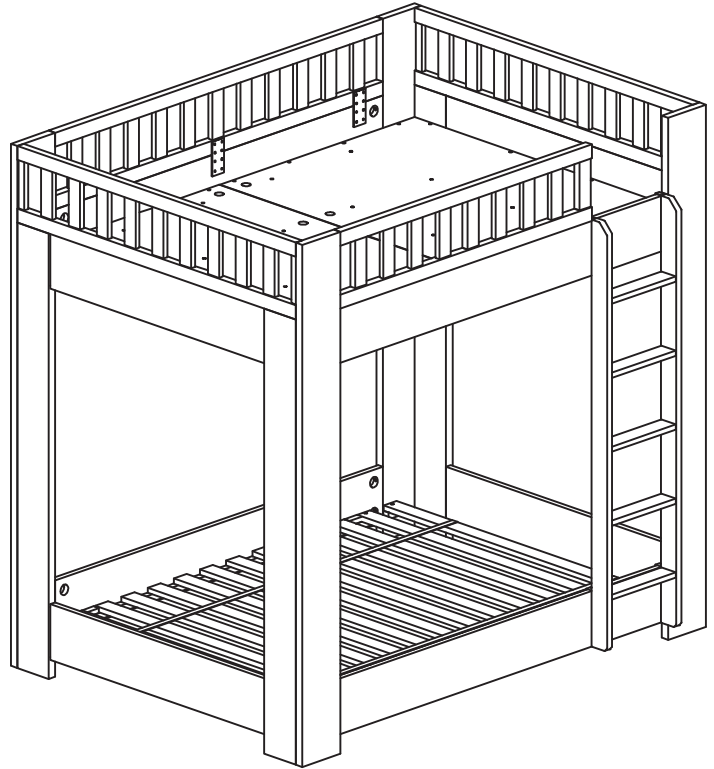
All Restoration Hardware bunk bed are designed to meet the highest safety standards and comply with all U.S. and Canadian bunk bed and cradles regulations.

Made in Vietnam

Distributed in the U.S.A by:
Restoration Hardware Baby & Child
11640 Harrel St. Suite B
Mira Loma, CA 91752
www.rhbabyandchild.com

Distributed in Canada by:
Restoration Hardware Canada, Inc.
1500-1055 West Georgia Street
Vancouver, British Columbia V6E4N7

! **WARNING:** Read all Instructions before assembling this product.
KEEP INSTRUCTIONS FOR FUTURE USE.



CUSTOMER SERVICE

If you are missing parts or have any questions about this product, contact us first. You can also order parts by writing to the address above. Include the product model number, color, and a brief description of the part. Call 1-800-762-1751.

CARE AND CLEANING

DO NOT scratch or chip the finish. DO NOT use abrasive chemicals for cleaning. If the crib is to be stored, store in a cool dry place and carefully package all original hardware to protect from loss.

TOOLS AND INSTALLATION

Tools Necessary: Key Wrench (included).

NOTE : It may be easier to assemble product with two people.

NOTE: When inserting bolts, turn clockwise until tight. Then loosen 1/2-3/4 of a turn. After crib is completely assembled, return to each bolt and tighten.

RH BABY & CHILD

Model No: 355 - 14
CALLUM TWIN-OVER-TWIN BUNK BED

IMPORTANT SAFETY INFORMATION FOR BUNK BED

1. Follow the information on the WARNINGS appearing on the upper bunk end structure and on the carton. **DO NOT REMOVE WARNING LABEL FROM BED.**
2. Always use the specified size mattress or mattress support, or both to help prevent the likelihood of entrapment or falls.
3. Surface of mattress must be at least 5 inches below the upper edge of guardrails on top bunk.
4. Do not allow children under 6 years of age to use the upper bunk.
5. Prohibit more than one person on upper bunk.
6. Periodically check and ensure that the guardrails, ladder, and other components are in their proper position, free from damage, and that all connectors are tight.
7. Do not allow horseplay on or under the bed and prohibit jumping on the bed.
8. Always use the ladder for entering and leaving the upper bunk.
9. Do not use substitute parts. Contact Restoration Hardware for replacement parts
10. Use of a night light may provide added safety precaution for a child using the upper bunk.
11. Use guardrails on both sides of the upper bunk.
12. If the bunk bed will be placed next to a wall, the guardrail that runs the full length of the bed should be placed against the wall to prevent entrapment between the bed and the wall.
13. The use of water flotation mattresses is prohibited.
14. **STRANGULATION HAZARD** - Never attach or hang items to any part of the bunk bed that are not designed for use with the bed: for example, but not limited to, hooks, belts, and jump ropes.
15. Keep these instructions for future reference.



WARNING

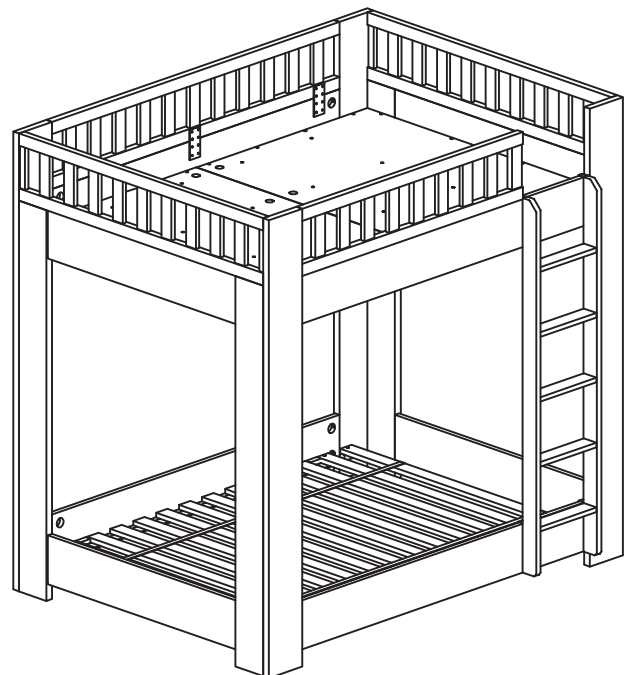
TO HELP PREVENT SERIOUS OR FATAL INJURIES FROM ENTRAPMENT OR FALLS

1. Never allow a child under 6 years on upper bunk.
2. Use only mattress, which is 74"-75" long and 37 1/2"-38 1/2" wide on upper bunk.
3. Ensure thickness of mattress does not exceed 6" and mattress surface is at least inches below upper edge of guardrails.
4. Use guardrails on both sides of upper bunk.
5. Prohibit horseplay on or under bed(s).
6. Prohibit more than one person on upper bunk.
7. Use ladder for entering and leaving upper bunk.
8. If the bunk bed will be placed next to a wall the guardrails that run the full length of the bed should be placed against the wall to prevent entrapment between the bed and the wall.

STRANGULATION HAZARD

9. Never attach or hang items to any part of the bunk bed that are not designed for use with the bed, for example, but not limited to, hooks, belts, and jump ropes.

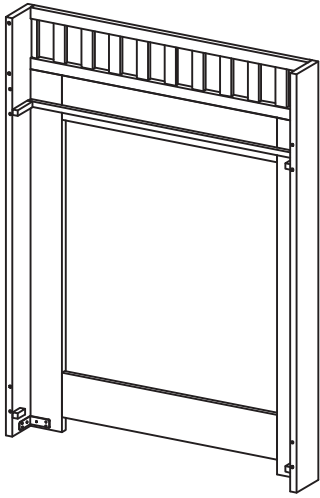
DO NOT REMOVE THIS LABEL



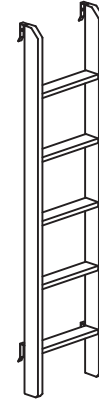
RHBABY&CHILD

Model No: 355 - 14
CALLUM TWIN-OVER-TWIN BUNK BED

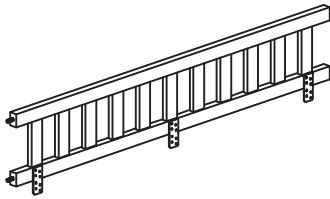
PARTS IDENTIFICATION



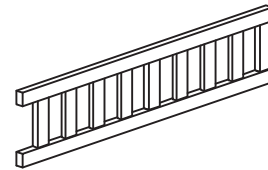
(A) Bunk Bed End (x2 pieces)



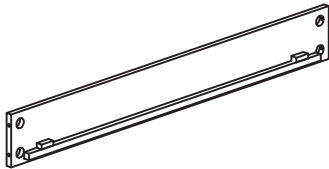
(B) Ladder (x1 piece)



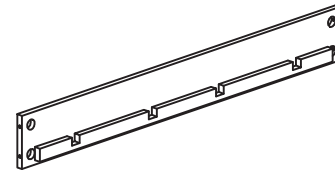
(C) Back Guard Rail (x1 piece)



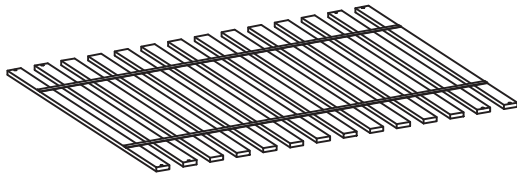
(D) Front Guard Rail (x1 piece)



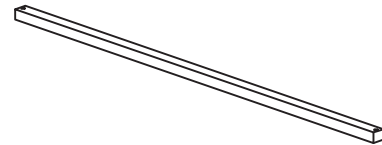
(E) Bottom Side Rails (x2 pieces)



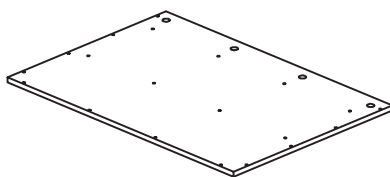
(F) Top Side Rails (x2 pieces)



(G) Slat Roll (x1 set)



(H) Stretcher Bars (x4 pieces)





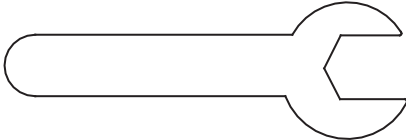

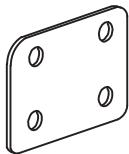
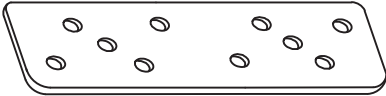


(I) Top Platform Panels (x2 pieces)

RH BABY & CHILD

Model No: 355 - 14
CALLUM TWIN-OVER-TWIN BUNK BED

HARDWARE INCLUDED

NO.	ITEM	DESCRIPTION	QTY.
1		Threaded Rod 5/16" x 2-1/2"	16 pieces.
2		Curved Slotted Washer 5/16"	16 pieces.
3		Hex Nut 5/16" x 12mm	16 pieces.
4		Long Screw 8x30mm	56 pieces
5		Hex Wrench 12 mm	1 piece
6		Short Screw 8x19mm	54 pieces.
7		Small Metal Bracket 51x38x1.5mm	2 pieces.
8		Long Metal Bracket 200x52x4mm	3 pieces.

TOOLS NEEDED

Phillips-head Screwdriver (not included)



ASSEMBLY INSTRUCTIONS

- Note:**
- Bed must be assembled by at least two people.
 - Please read instructions carefully before assembling bed.
 - Use the parts and fittings list to identify each component.
 - Keep all packing materials until assembly is complete to avoid loss of smaller parts.
 - Do not completely tighten all bolts until all steps are finished.

RH BABY & CHILD

Model No: 355 - 14
CALLUM TWIN-OVER-TWIN BUNK BED

BUNK BED END ASSEMBLY INSTRUCTIONS

STEP 1:

NOTE: Each side rail needs 2 people to assembly, put the bunk bed end panel on a straight line, insert the side rail on end panel at the same time and set up hardware to assembly but not fully tighten, set up another side rail & hardware, then tighten them.

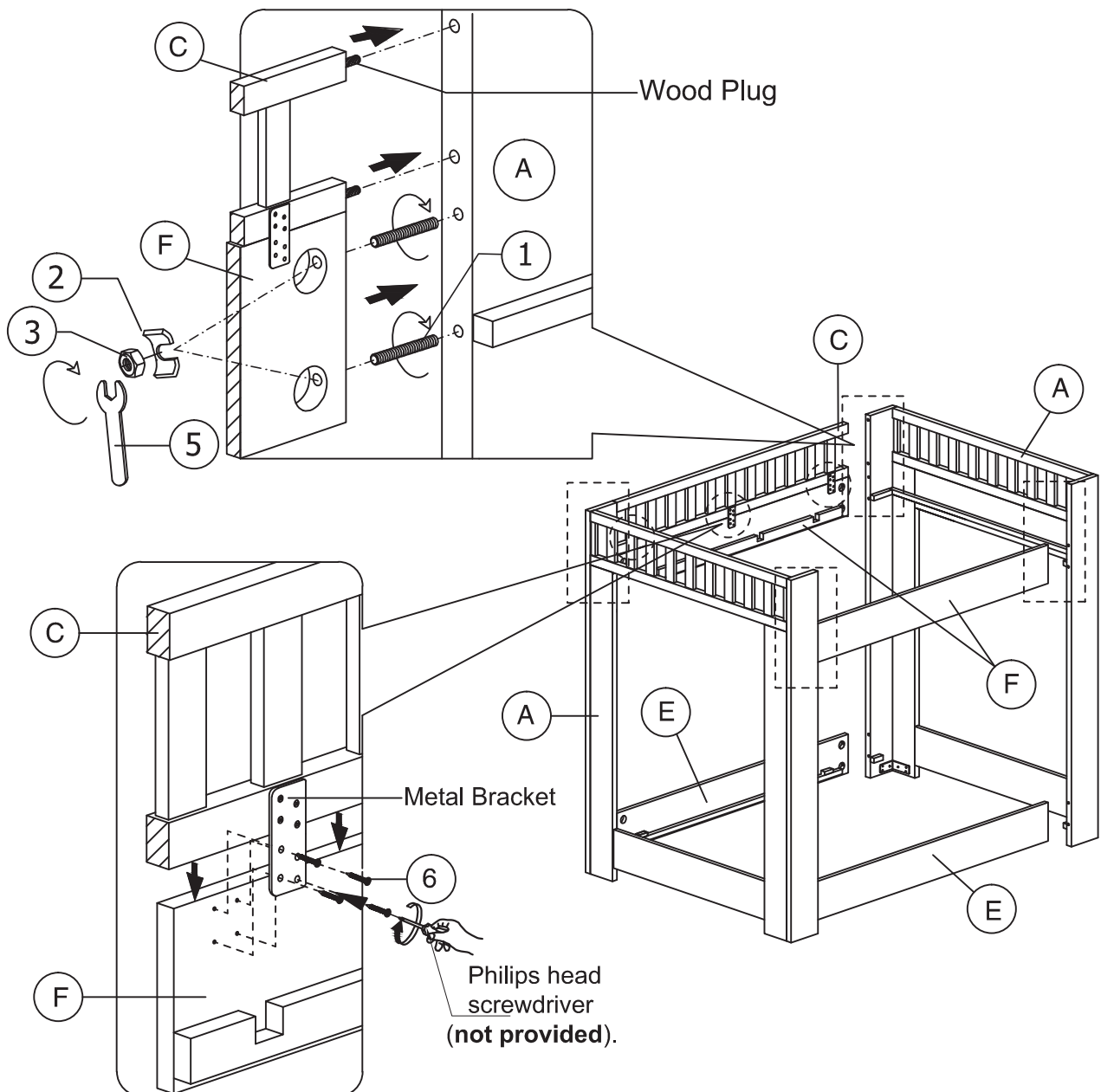
Attach the Top Side Rails (F) to the Bunk Bed Ends (A) using Threaded Rods (1), Curved Slotted Washers (2), Hex Nut (3) and Wrench (5) that is provided.

Place threaded rods in the holes at top of Bunk Bed Ends (A). Align the top Side Rails (F) with the holes and fasten tightly with curved slotted washers and hex nuts using the wrench provided.

Do not fully tighten!

Repeat the procedure with Bottom Side Rails (E).

Secure all metal brackets to the Back Duard Rails (C) using 8x19mm Short Screws (6) that are provided. Tighten all bolts at this time.



RH BABY & CHILD

Model No: 355 - 14
CALLUM TWIN-OVER-TWIN BUNK BED

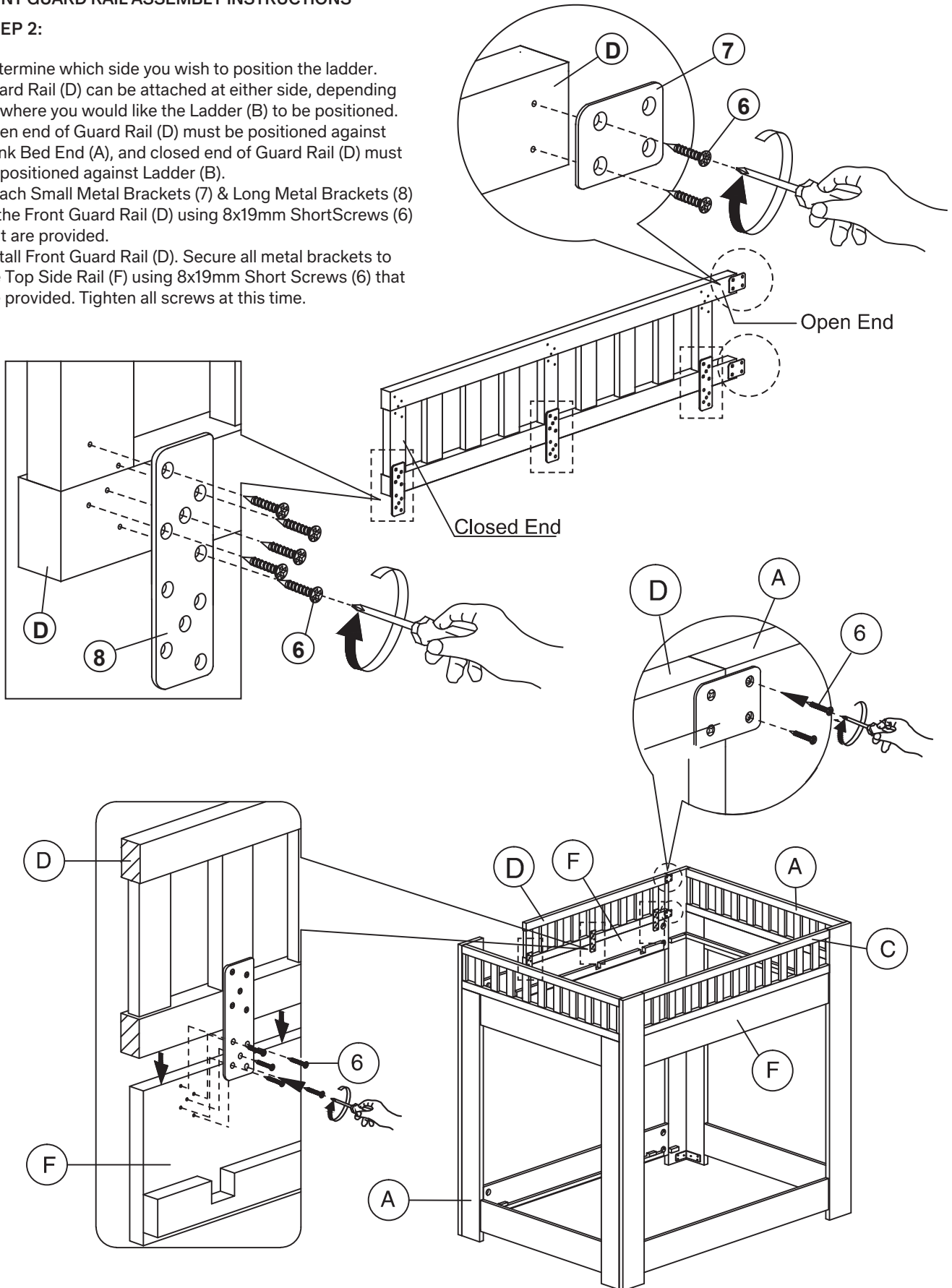
FONT GUARD RAIL ASSEMBLY INSTRUCTIONS

STEP 2:

Determine which side you wish to position the ladder. Guard Rail (D) can be attached at either side, depending on where you would like the Ladder (B) to be positioned. Open end of Guard Rail (D) must be positioned against Bunk Bed End (A), and closed end of Guard Rail (D) must be positioned against Ladder (B).

Attach Small Metal Brackets (7) & Long Metal Brackets (8) to the Front Guard Rail (D) using 8x19mm Short Screws (6) that are provided.

Install Front Guard Rail (D). Secure all metal brackets to the Top Side Rail (F) using 8x19mm Short Screws (6) that are provided. Tighten all screws at this time.



RHBABY&CHILD

Model No: 355 - 14
CALLUM TWIN-OVER-TWIN BUNK BED

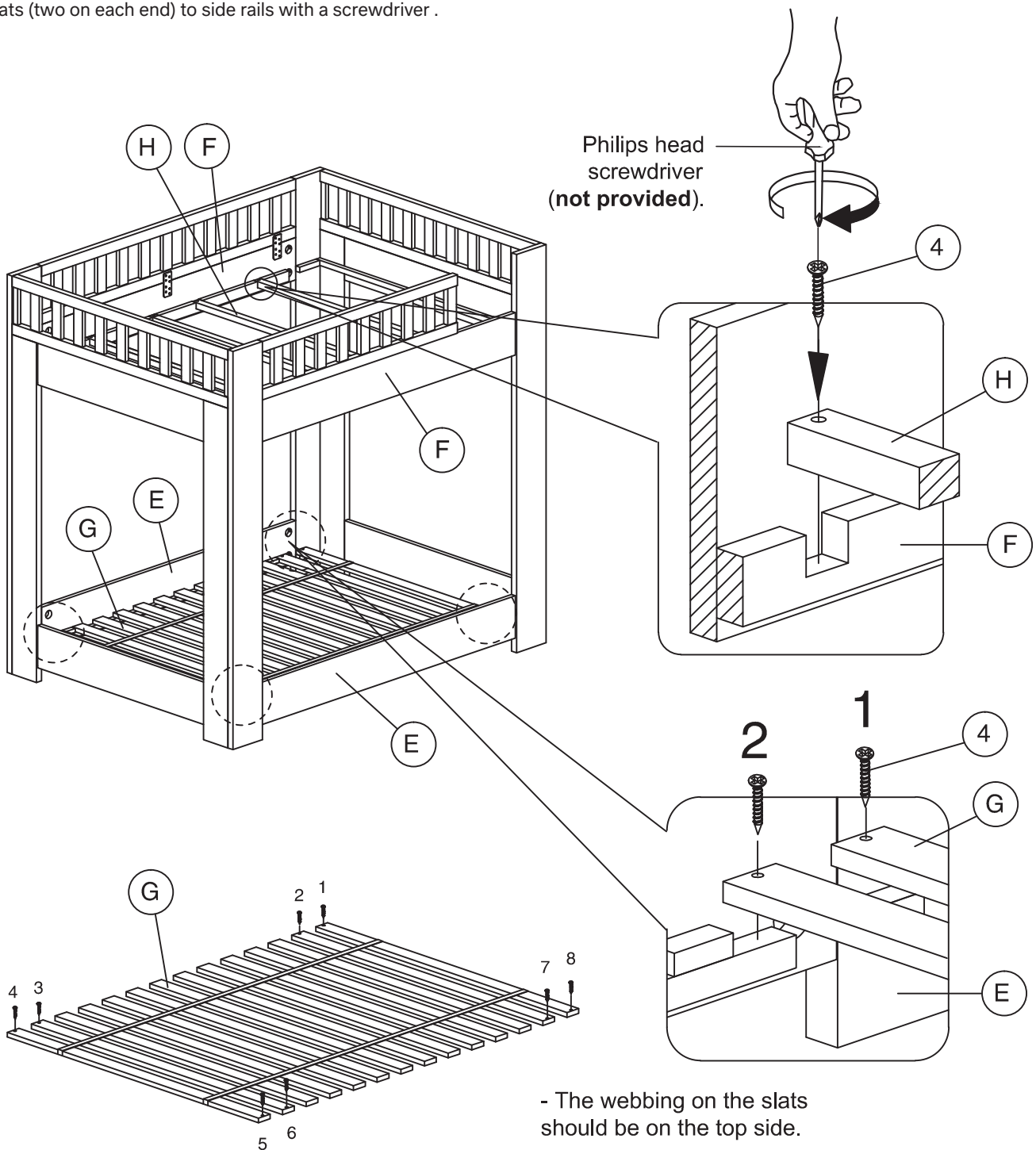
SLAT ROLL ATTACHMENT INSTRUCTIONS

NOTE: If you need to move the unit, do not drag it. 2 or more people are needed to safely move the unit.

STEP 3:

Lay the Stretcher Bars (H) in between the Top Side Rails (F), then tighten using Long Screws (4) and Philips head screwdriver .

Lay the Slat Roll (G) in between the Bottom Side Rails (E) and use Long Screws (4) to fasten four end slats (two on each end) to side rails with a screwdriver .



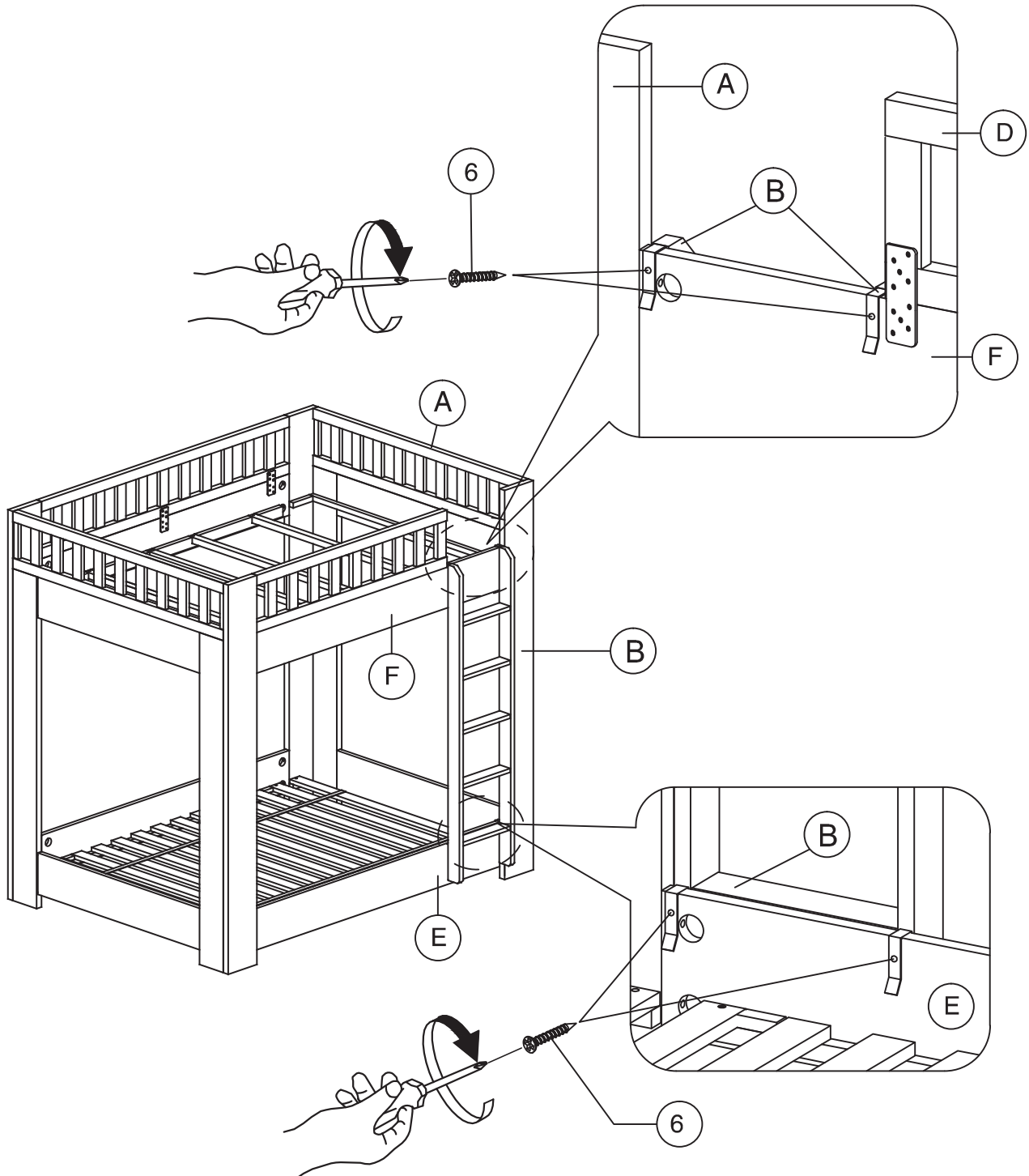
RH BABY & CHILD

Model No: 355 - 14
CALLUM TWIN-OVER-TWIN BUNK BED

LADDER ATTACHMENT INSTRUCTIONS

STEP 4:

Position the Ladder (B) in the opening between the Front Guard Rail (D) and the post of the Bunk Bed End (A). Hook the Ladder (B) over the top and bottom side rails. Then tighten using Long Screws (6) and Philips head screwdriver.



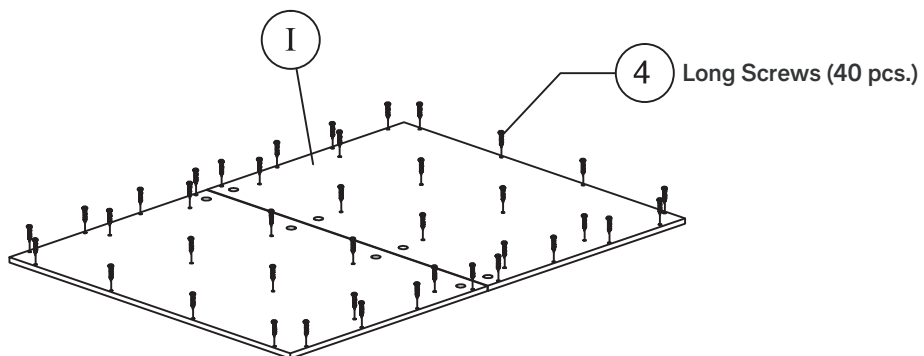
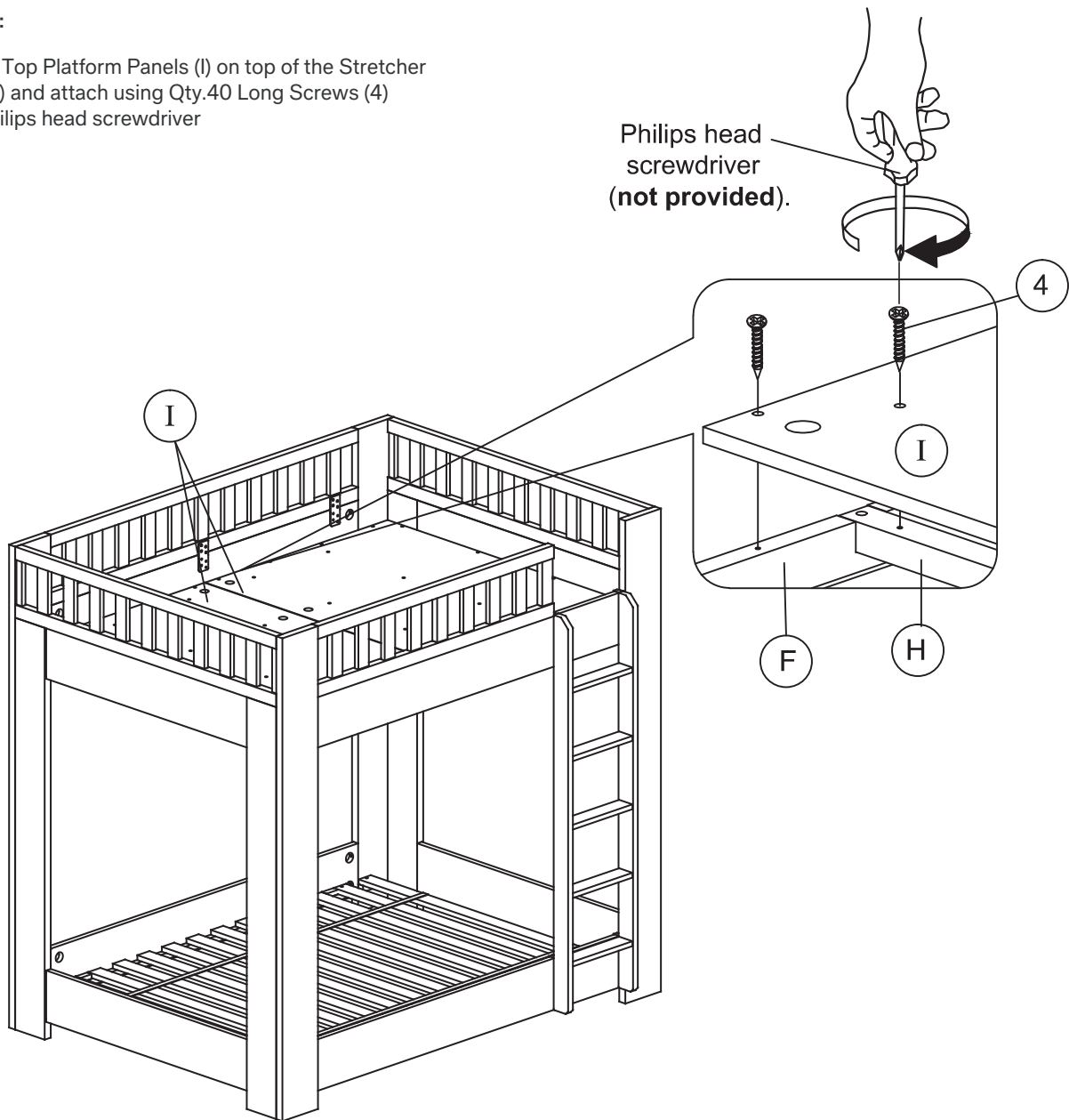
RHBABY&CHILD

Model No: 355 - 14
CALLUM TWIN-OVER-TWIN BUNK BED

TOP PLATFORM PANEL ATTACHMENT INSTRUCTIONS

STEP 5:

Lay the Top Platform Panels (I) on top of the Stretcher Bars (H) and attach using Qty.40 Long Screws (4) with Philips head screwdriver



RH BABY & CHILD

Model No: 355 - 14
CALLUM TWIN-OVER-TWIN BUNK BED

INSTALL BEDDING

STEP 6:

BEDDING SPECIFICATIONS FOR TOP BUNK:

The following size mattress and Foundation are specified for use with this Bunk bed:

MATTRESS DIMENSION SPECIFICATIONS FOR TOP BUNK

Twin - over - twin Bunk: (74" - 75") long x (37 1/2" - 38 1/2") wide x 6" thick

Full - over - full bunk: (74" - 75") long x (53 1/2" - 54 1/2") wide x 6" thick

PLATFORM :

-Twin - over - twin bunk: Upper bed consists of 2 pcs platform 37 3/4" long x 38 3/4" wide x 3/4" thick & bottom bed consists of 14 pcs slats 38 3/4" long x 2 1/2" wide x 3/4" thick.

-Full - over - full Bunk: Upper bed consists of 2 pcs platform 37 3/4" long x 53 7/8" wide x 3/4" thick & bottom bed consists of 14 pcs slats 53 7/8" long x 2 1/2" wide x 3/4" thick.

**Note: MATTRESS THICKNESS MUST NOT EXCEED MAX 6" FOR TOP BUNK.

Be sure to adhere to these BEDDING SPECIFICATIONS in order to avoid the possibility of falling or entrapment.
THESE SPECIFICATIONS MUST BE STRICTLY ADHERED TO !

UPPER BUNK MATTRESS DIAGRAM

