



All Restoration Hardware bunk beds are designed to meet the highest safety standards and comply with all U.S. and Canadian Bunk Bed regulations.

Model No: RH298KBK

Made In China

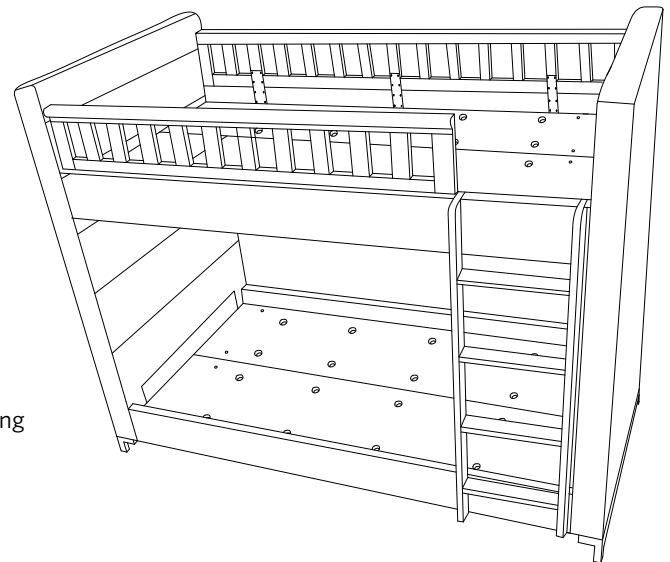
“Chesterfield Bunk Bed With Ladder On Right/Left ”

Restoration Hardware Baby & Child
11640 Harre remove ekstra 1 Street Suite B
Mira Loma, CA 91752
www.rhbabyandchild.com

Distributed in Canada by:
Restoration Hardware Canada, Inc.
1500-1005 West Georgia Street,
Vancouver, British Columbia V6E 4N7



WARNING: Read all instructions before assembling this product. **KEEP INSTRUCTIONS FOR FUTURE USE.**



CUSTOMER SERVICE

If you are missing parts or have any questions about this product, contact us first. You can also order parts writing to the address above. Include the product model number, color, and a brief description of the part. Call 1-800-762-1751

CARE AND CLEANING

DONOT use abrasive chemicals for cleaning. Dust often using a clean, soft dry cloth
Dab spills quickly with a soft cloth. Vacuum to remove dust.

If the Bunk Bed is to be stored, store in a cool dry place and carefully package all original hardware to protect from loss.

IMPORTANT SAFETY INFORMATION FOR BUNK BED

1. Follow the information on the WARNINGS appearing on the upper bunk end structure and on the carton. Do not remove warning label from bed.
2. Always use the specified size mattress, to help prevent the likelihood of entrapment or falls.
3. Surface of mattress must be at least 5 inches below the upper edge of guardrails on top bunk.
4. Do not allow children under 6 years of age to use upper bunk.
5. Prohibit more than one person on upper bunk
6. Periodically check and ensure that the guardrails, ladder, and other components are in their proper position, free from damage, and that all connectors are tight.
7. Do not allow horseplay on or under the bed and prohibit jumping on the bed.
8. Always use the ladder for entering and leaving the upper bunk.
9. Do not use substitute parts. Contact Restoration Hardware for replacement parts.
10. Use of a night light may provide added safety precaution for a child using the upper bunk.
11. Use guardrails on both sides of the upper bunk.
12. If the bunk bed will be placed next to a wall, the guardrail that runs the full length of the bed should be placed against the wall to prevent entrapment between the bed and the wall.
13. The use of a water flotation mattress is prohibited.
14. STRANGULATION HAZARD - Never attach or hang items to any part of the bunk bed that not designed for use with the bed: for example, but not limited to, hooks, belts, and jump ropes.
15. Keep these instructions for future reference.

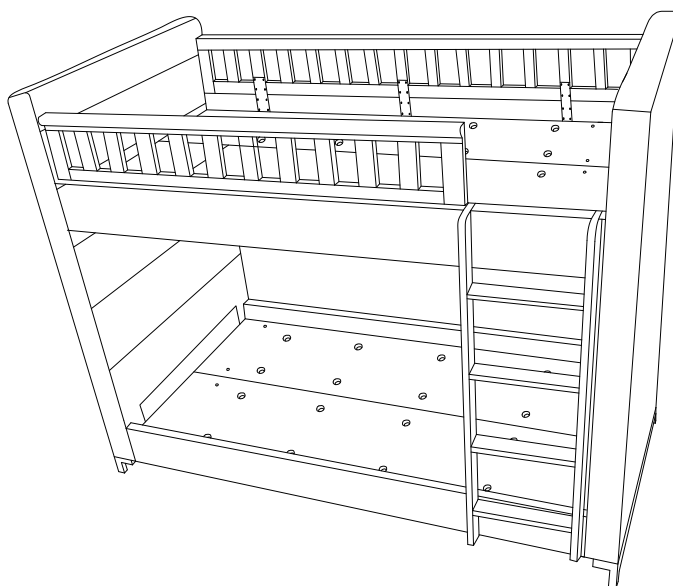
⚠ WARNING:

To help prevent serious or fatal injuries from entrapment or falls;

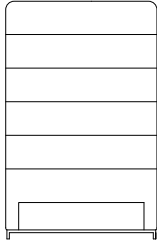
- Never allow a child under 6 years on upper bunk.
- Use only mattress which is 74"-75" long and 37 1/2"-38 1/2" wide on upper bunk.
- Ensure thickness of mattress and foundation combined does not exceed 7" and mattress is at least 5" below upper edge of guardrails.
- Use guardrails on both sides of upper bunk.
- Prohibit horseplay on or under bed(s).
- Prohibit more than one person on upper bunk.
- Use ladder for entering and leaving upper bunk.

STRANGULATION HAZARD - Never attach or hang items to any part of the bunk bed that is not designed for use with the bed; for example, but not limited to, hooks, belts, and jump ropes.

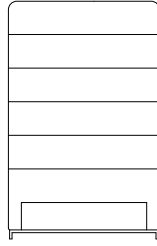
DO NOT REMOVE THIS LABEL



PARTS INCLUDE



(1) Left Bunk End -1 pc



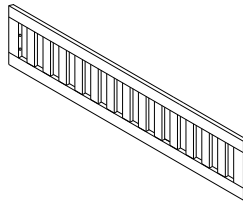
(2) Right Bunk End -1 pc



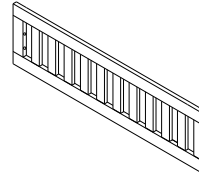
(3) Bottom Side Rail-2 pcs



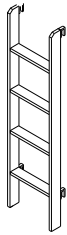
(4) Top Side Rail-2 pcs



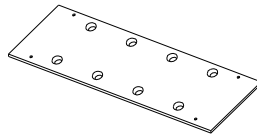
(5) Back Guard Rail-1 pc



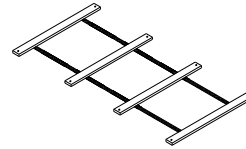
(6) Front Guard Rail-1 pc



(7) Ladder-1 pc









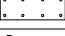


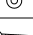

(8) Bed Panel- 4 pcs



(9) Slat Roll-2 sets

HARDWARELIST

HARDWARELIST

| NO | HARDWARE & PARTS ENCLOSED | QTY |
|-------------------------------------|---|--------|
| A |  Thread Rod | 8 Pcs |
| B |  Curved Washer | 8 Pcs |
| C |  Lock Washer | 8 Pcs |
| D |  Nut | 8 Pcs |
| E |  Spanner Wrench | 1 pc |
| F |  Big Screw (4cm) | 17 pcs |
| G |  Medium Screw (2.5cm) | 65 pcs |
| H |  Metal Plate | 6 pcs |
| I |  Allen Key | 1 pc |
| J |  Allen Head Bolt (8.5cm) | 7 pcs |
| K |  Big Flat Washer | 7 pcs |
| L |  Small Screw(1.5 cm) | 4 pcs |
| M |  Small Flat Washer | 4 pcs |
| N |  Allen Head Bolt (3.2cm) | 8 pcs |
| *** The hardware is packed in box 2 | | |

TOOLS NEEDED:

Screwdriver Phillips (Not included)



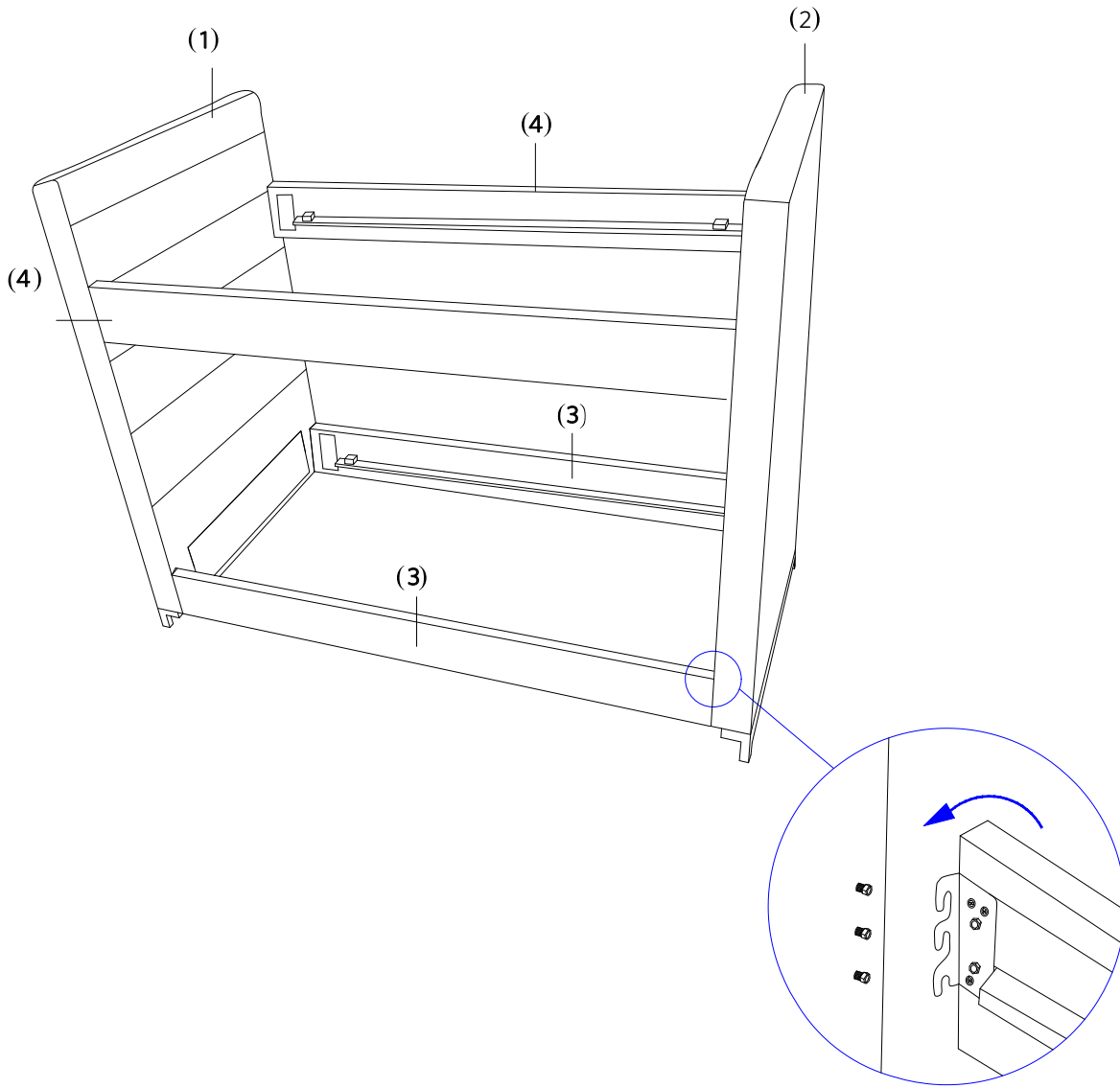
ASSEMBLY INSTRUCTION

Note:

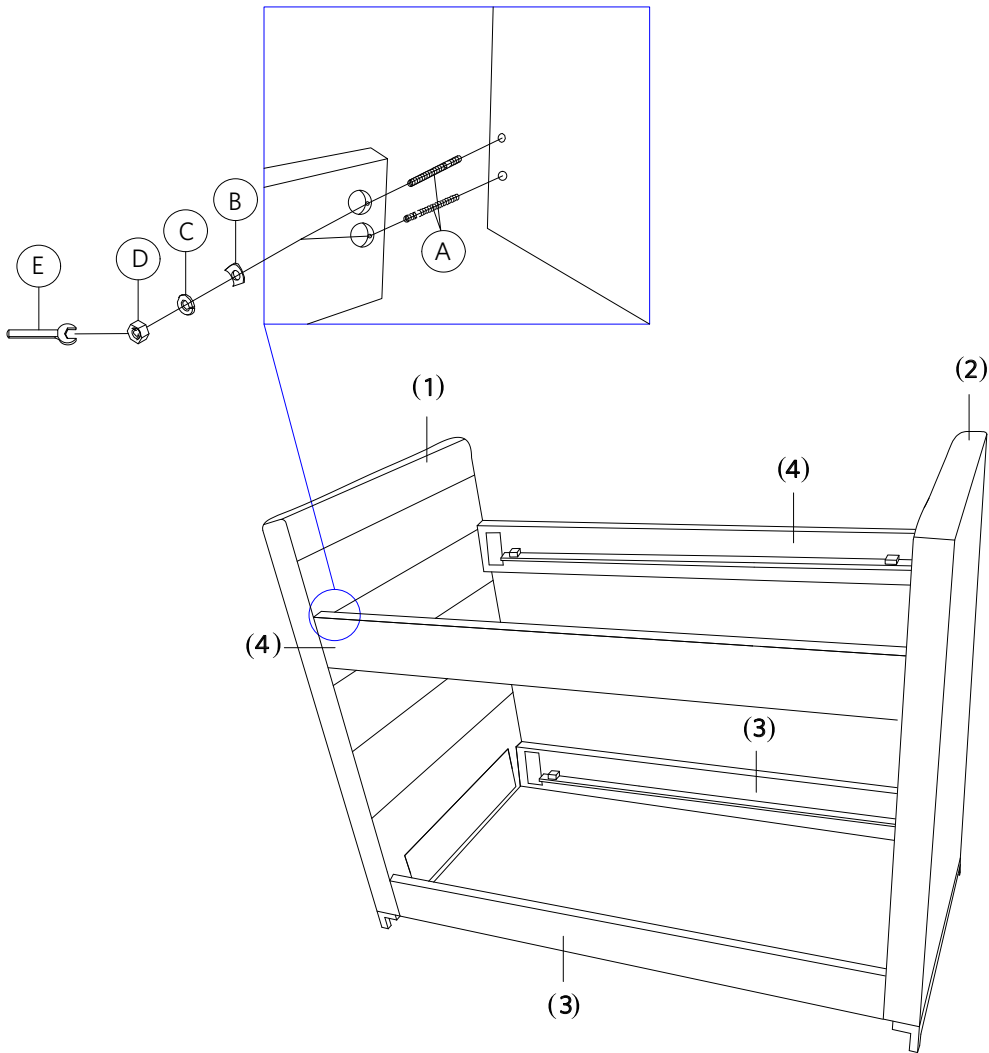
- Bed must be assembled by at least two people.
- Please read instructions carefully before assembling bed.
- Use the above parts and fittings list to identify each component.
- Keep all packing materials until assembly is complete to avoid loss of smaller parts.
- Do not completely tighten all bolts until all steps are finished.

Process:

Step 1: Insert the Allen Head Bolt (N) into the holes on the Left Bunk End (1) and Right Bunk End (2).
Stand the Left Bunk End (1) and Right Bunk End (2) upright and attach Bottom Side Rail (3).



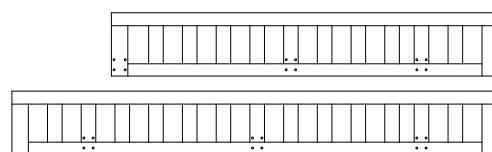
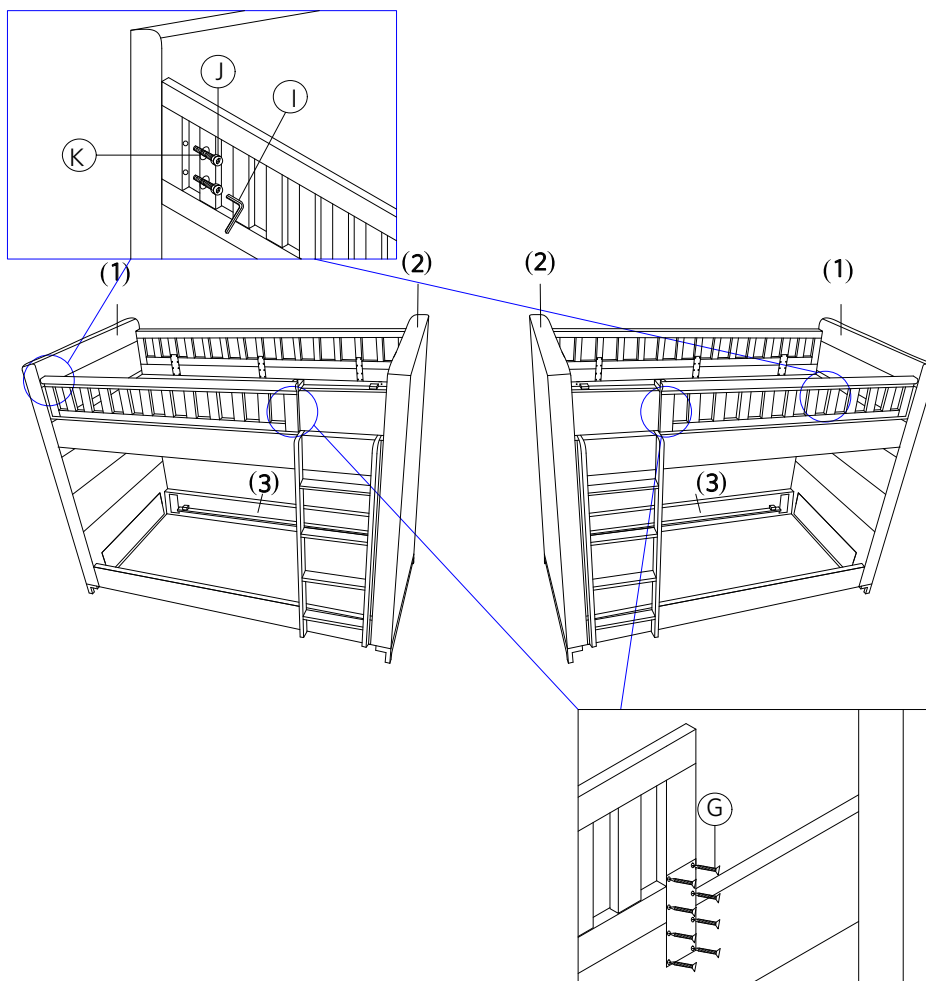
Step 2: Attach Top Side Rail (4) to Left Bunk End (1) and Right Bunk End (2). Insert the Threaded Rods (A) into the holes on the end of Front Side Rail (4), and insert Curved Washers (B), Spring Washers (C), and Nuts (D) onto the Threaded Rods (A) to attach the Left Bunk end (1) and Right Bunk End (2). Tighten the Nut (D) and Threaded Rod (A) with Spanner Wrench (E).



Step 3: Attach Back Guard Rail (5) to Left Bunk End (1) and Right Bunk End (2), by using the Allen Key (I) to tighten Allen Head Bolts (J) and Big Flat Washers (K);

Step 4: Attach Front Guard Rail (6) with Allen Head Bolts (J) and Big Flat Washers (K).
For Bunks with Ladder on Left side, attach Front Guard Rail (6) to the Right Bunk End (2), so ladder sits on Left.
For Bunks with Ladder on Right side, attach Front Guard Rail (6) to Left Bunk End (2), so ladder sits on Right.

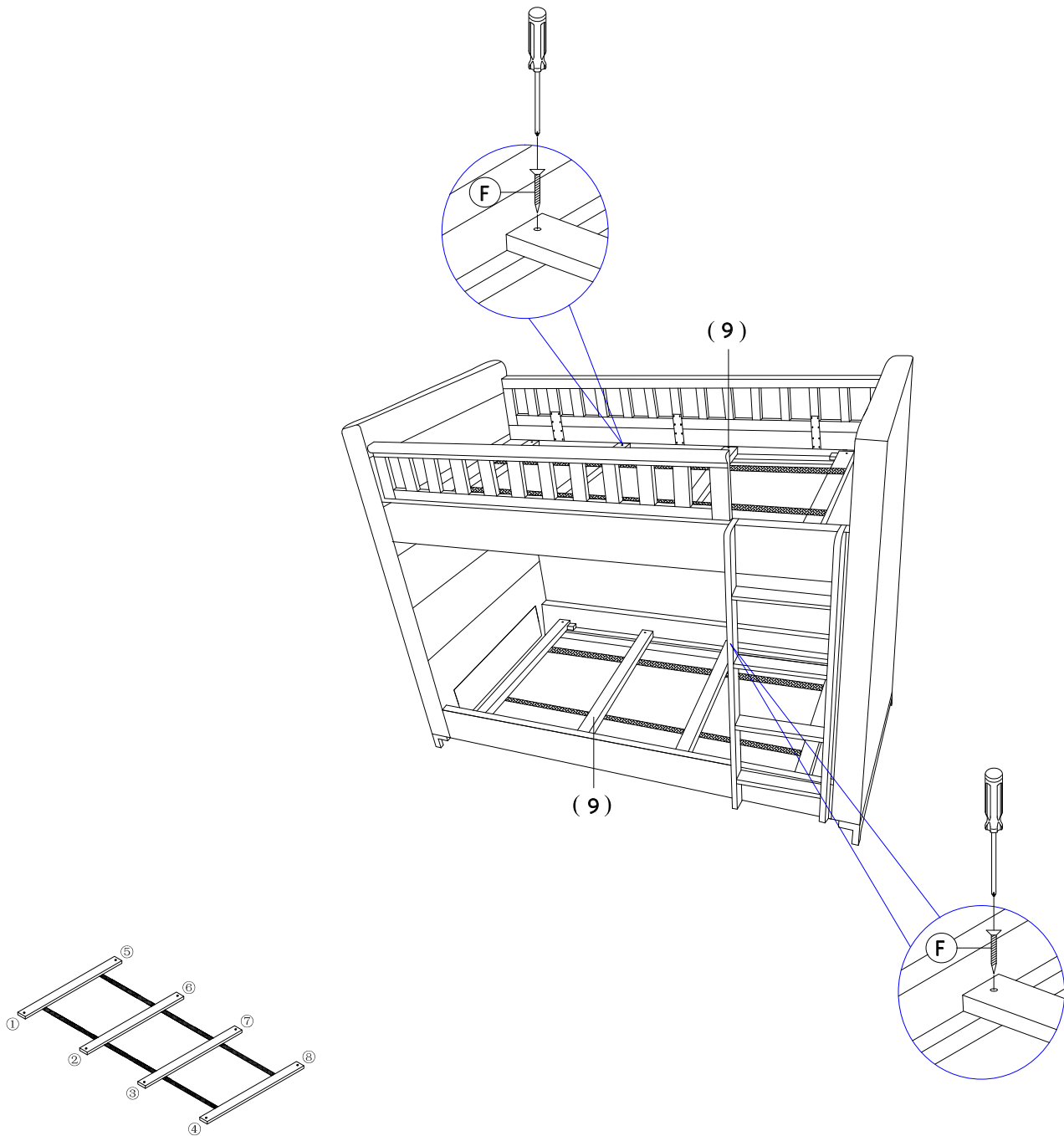
Step 5: Reinforce the Back Guard Rail (5) and Front Guard Rail (6) with Metal Plates (H), by tightening with Medium Screws (G).



Back Guard Rail (6)

Front Guard Rail (5)

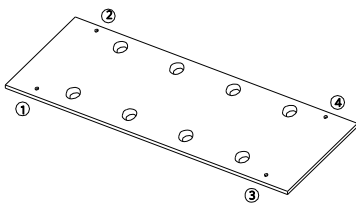
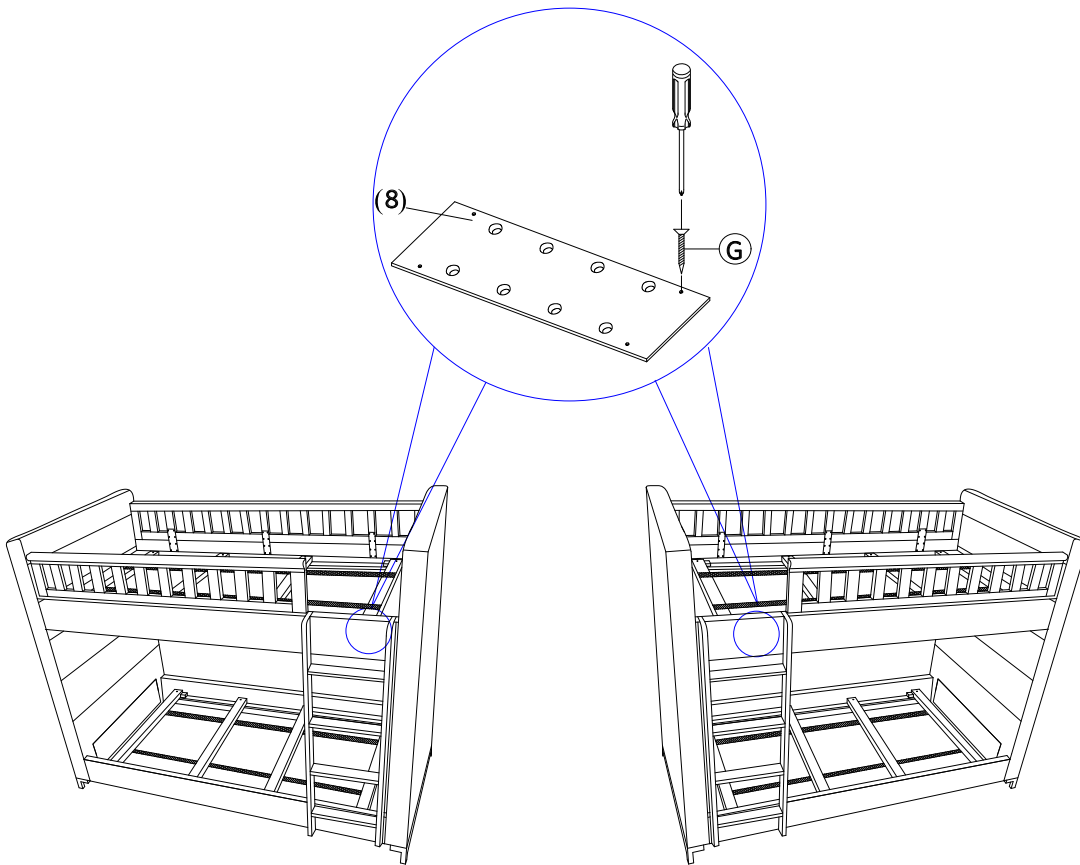
Step 6: Lay the Slat Roll (9) in between the Top Side Rail (4) and Back Side Rail (3), then tighten with Big Screws (F).



-The webbing on the slats should be on the bottom side.

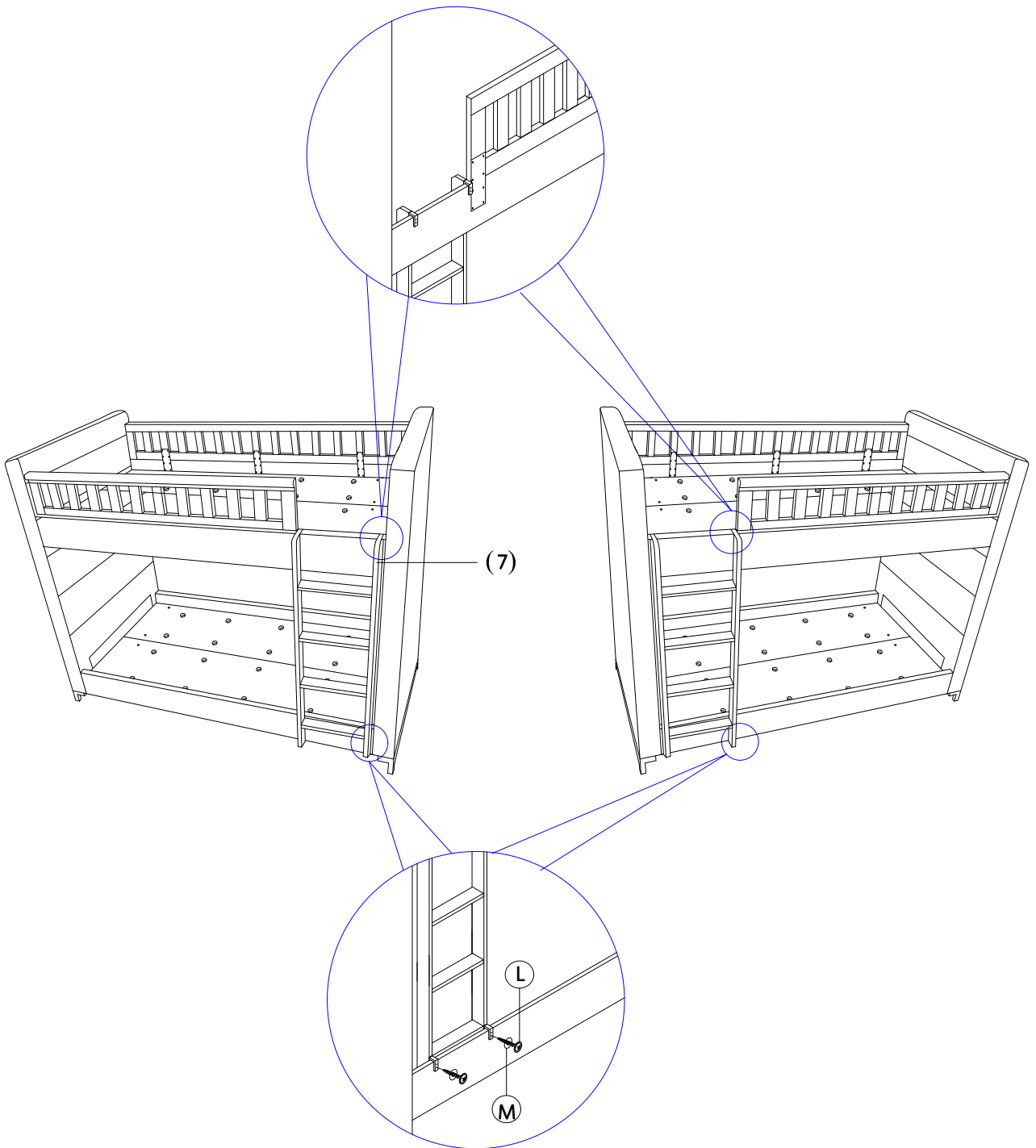
-Numbers on the slat roll show the locations to tighten the Big Screws.

Step 7: Lay the Panels (8) on top of the Slat Roll (9).



- Numbers on the panel show the locations to tighten the Medium Screws.

Step 8: Attach Ladder (7) to Top Side Rail (4) and Bottom Side Rail (3), then tighten with Small Screws (L) and Small Flat Washers (M).



Step9: Install Bedding:

BEDDING SPECIFICATION:

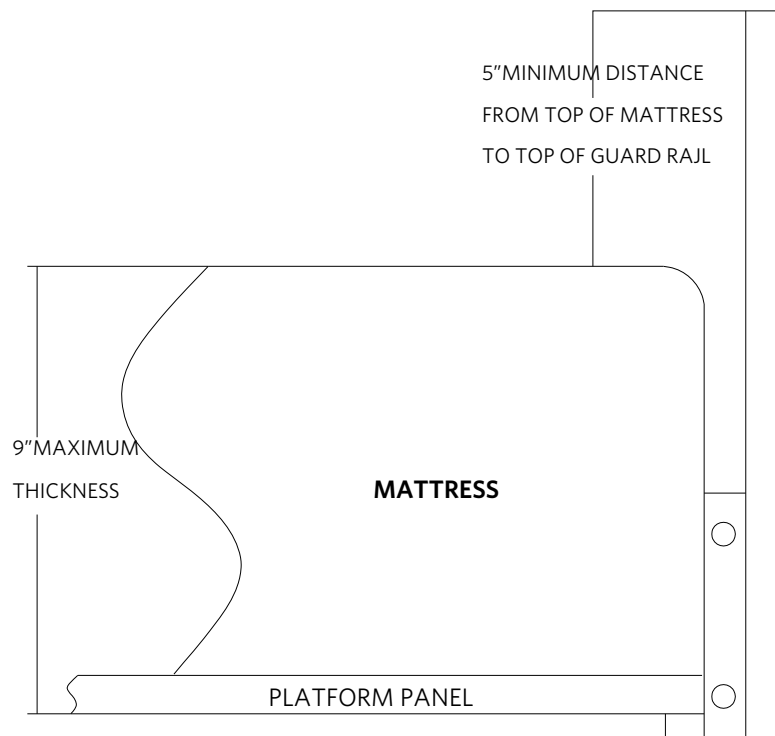
The following size mattress and Foundation are specified for use with this Bunk bed;

MATTRESS:53-1/2"W×74" to 75"L×Maximum 7"H

PLATFORM PANEL:CONSISTING OF 4 PANELS(74.8"W×26.6"L×0.7"H)

**** Note:** MATTRESS AND PLATFORM PANEL MUST NOT EXCEED 9" TOTAL THICKNESS. Be sure to adhere to these BEDDING SPECIFICATIONS in order to avoid the possibility of falling or entrapment. THESE INSTRUCTIONS MUST BE STRICTLY ADHERED TO!

FULL BUNK MATTRESS DIAGRAM



Thank you for your purchase
www.rhbabyandchild.com