

TRIBECA STORAGE COLLECTION



WARNING: ADULT ASSEMBLY ONLY OWING TO THE PRESENCE OF SMALL PARTS, SHARP POINTS AND EDGES

Customer Service - If you are missing parts or have any questions about this product, please contact us at: 1-800-762-1751

CARE INSTRUCTIONS:

- Dust often using a clean, soft, dry lint-free cloth.
- Blot spills immediately, and wipe with a clean, damp cloth.
- We do not recommend the use of chemical cleansers, abrasives, or furniture polish on our lacquered finish.

WARNING: This product is only a deterrent. It is not a substitute for proper adult supervision. Maximum height is 3 units high.

Please install metal brackets to connect multiple units.

When the item is stationary, please ensure to turn the wheels towards the front and to lock.

This is to offer best stability.

ASSEMBLY STEPS:

- 1 - Caster installation.
- 2 - Metal bracket installation to connect units.
- 3 - Furniture tipping restraint installation (for units 2 and 3 levels high).

STEP 1 - CASTER INSTALLATION:

PARTS INCLUDED:

A [1] Single or Double Base

HARDWARE INCLUDED:

B [4] Caster



D [16] Flat Washer



C [16] Bolt $\varnothing 1/4"$ x 19mm



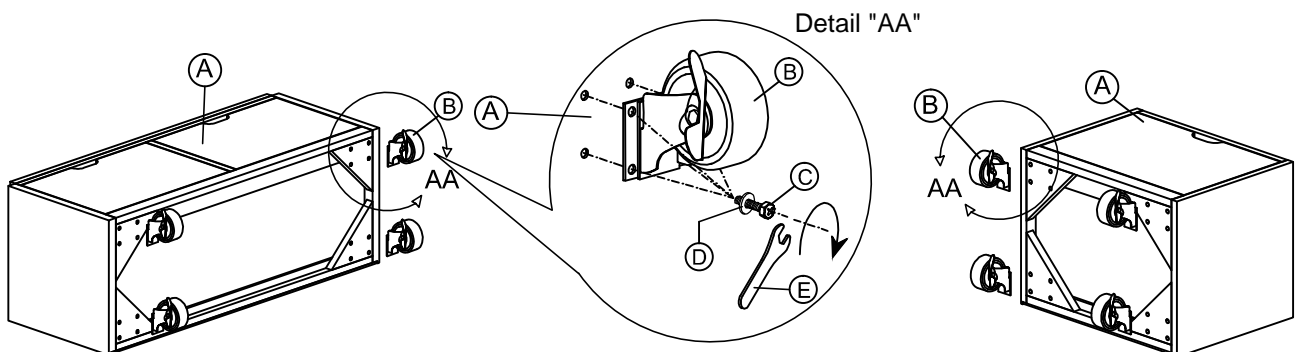
E [1] Allen Wrench



ASSEMBLY INSTRUCTIONS:

Place the Single or Double Base (A) on its back on a flat and smooth surface. Attach the Casters (B) to bottom of Single or Double Base (A) using Bolt (C), Flat Washer (D) and Allen Wrench (E) to tighten.

Carefully, return the single or double base to its upright position.



STEP 2 - METAL BRACKET INSTALLATION:

TOOLS NEEDED:

Phillips head screwdriver (not provided)

PARTS INCLUDED:

- F [1] Single or Double Base
- G [1] Single or Double Drawer
- H [1] Single or Double Cubby

HARDWARE INCLUDED:

- I [4] Metal brackets
([2] brackets included with each Drawer or Cubby)
- K [16] Wood screws 6x15mm
([8] screws included with each Drawer or Cubby)



ASSEMBLY INSTRUCTIONS:

- Place [4] Metal Brackets (I) over the pre-drilled holes on back of middle unit and secure to base and top unit using [16] Wood Screws (K).

- Please note, many combinations of base, drawer(s) and cubbies are possible to create custom storage options.

Diagram 1

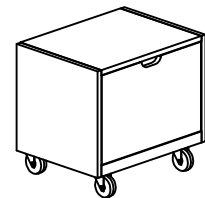
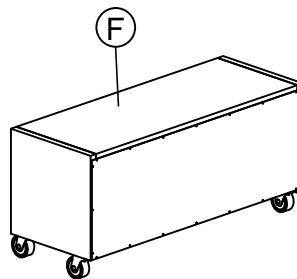


Diagram 2

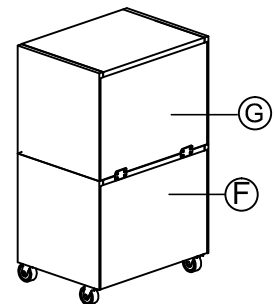
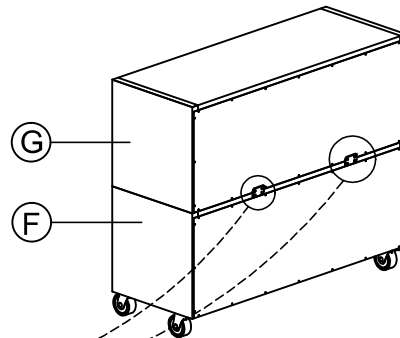
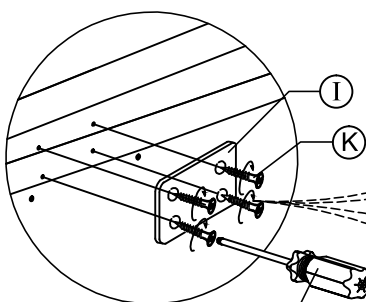
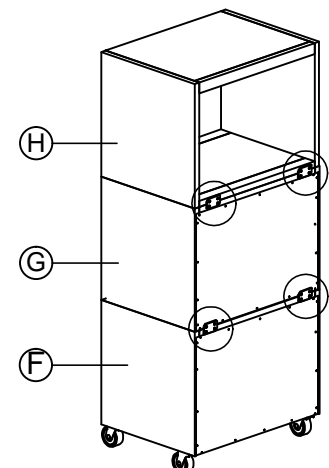
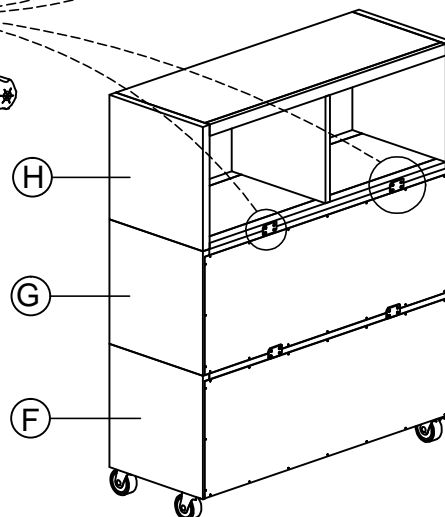


Diagram 3



Phillips head screwdriver
(not provided).



STEP 3 - FURNITURE TIPPING RESTRAINT INSTALLATION:

FURNITURE TIPPING RESTRAINT:


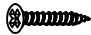


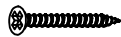
Young children may be injured by tipping furniture and the use of a tipping restraint is highly recommended. When properly installed, this restraint could provide protection against the unexpected tipping of furniture due to small tremors, bumps or climbing. We recommend mounting this restraint to a wall stud.

TOOLS NEEDED:

- Phillips head screwdriver (not provided)

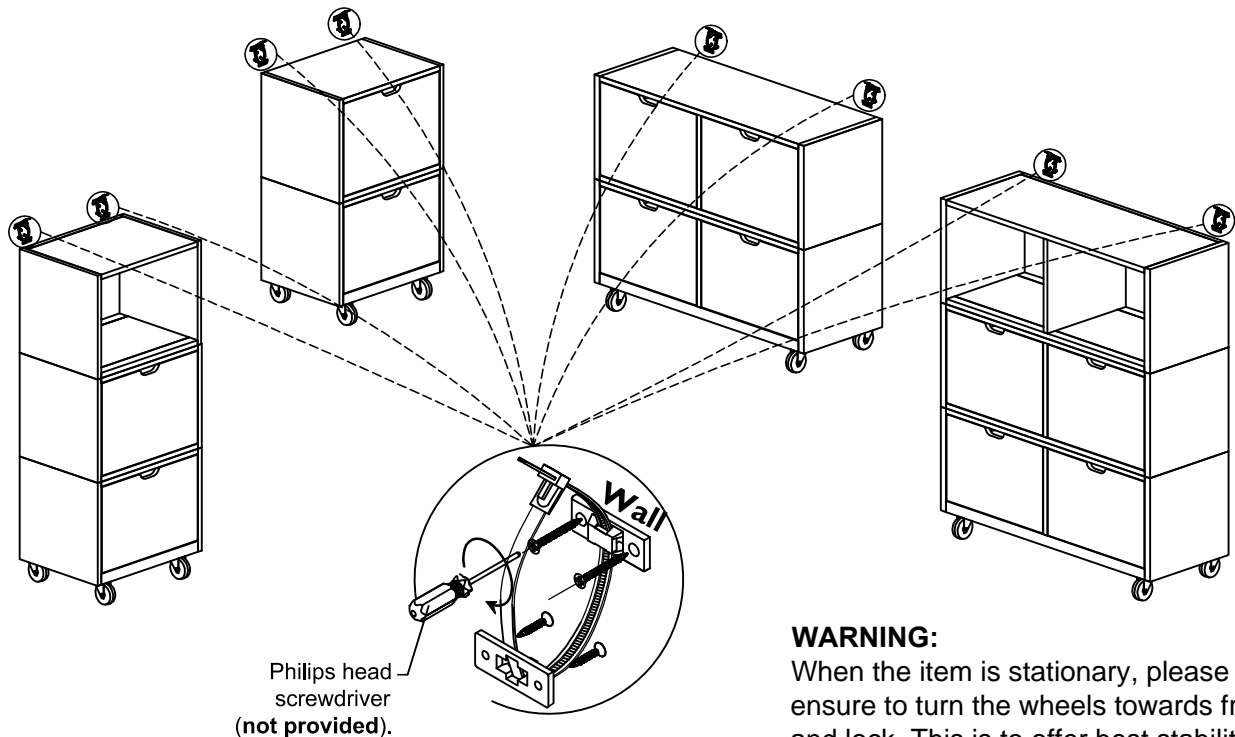
Please note: Tipping restraint recommended for all units, 2 and 3 units high. Tipping restraint plastic brackets (x2) should be installed on the back of the highest unit.

HARDWARE LIST:

- | | | | |
|----------------------------|---|----------------------------|---|
| (4) Plastic brackets |  | (4) Phillip screws M4x20mm |  |
| (2) Restraint straps |  | (4) Plastic anchors |  |
| (4) Phillip screws M4x30mm |  | | |

ASSEMBLY INSTRUCTIONS:

1. Attach one set of the mounting brackets near the top back edge of the furniture piece by inserting the shorter screws.
2. Determine the final position of the furniture piece. Mark locations on the wall approximately 2" below the brackets mounted to the back of the furniture.
3. Drill starter holes into the wall stud. If wall stud is not available, drill holes into the wall and insert plastic anchors. Gently tap the anchors until the flange of the anchors is flush with the wall.
4. Attach the second set of brackets by inserting the longer screws through the brackets and into the wall.
5. Place the furniture so the brackets on the back edge are in line with the brackets in the wall.
6. Lace one end of the nylon restraint straps down through each bracket. Bring both ends together and slide the beaded ends until it snap locks into the keyhole slot.
7. To double lock; return the beaded ends back through the keyholes as shown.
8. Check to make sure the straps are securely laced and locked to the brackets.



WARNING:

When the item is stationary, please ensure to turn the wheels towards front and lock. This is to offer best stability.

Thank you for your purchase
www.rhbabyandchild.com