

baby&child

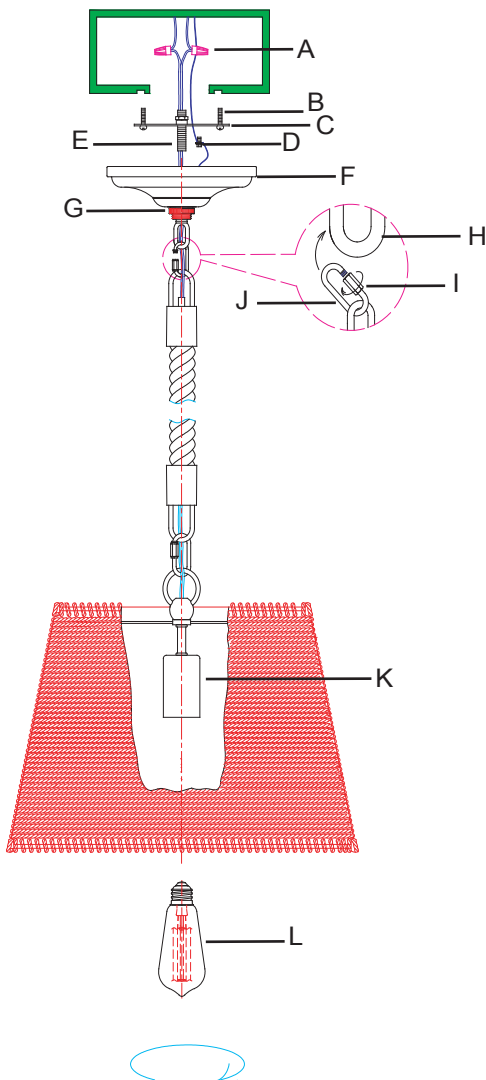
RESTORATION HARDWARE

Thank you for selecting Restoration Hardware Baby & Child lighting. Our assortment is crafted with the highest quality materials that coordinate perfectly with our Baby & Child bedding collections, making it easy to create an elegant nursery or child's bedroom.

PARTS ENCLOSED:

- | | |
|--------------------------------|--------------------------|
| (A) Plastic wire connector (2) | (G) Ring (1) |
| (B) Mounting screw (2) | (H) Hoop (1) |
| (C) Mounting plate (1) | (I) Screw joint (1) |
| (D) Ground screw (1) | (J) Connection chain (1) |
| (E) Screw tube (1) | (K) Shade (1) |
| (F) Canopy (1) | (L) Bulb (1) |

Whip-Stitched Burlap Pendant



IMPORTANT SAFETY INSTRUCTIONS:

For safety purposes, this lamp is equipped with a polarized plug (one blade is wider than the other). If the plug does not fit securely into your outlet, do not force it - contact a professional electrician. Use the plug with an extension cord only if it can be fully inserted into the cord's socket. Never alter the plug in any way.

This fixture has been rated for up to (1) 60 watt bulb.
To avoid the risk of fire, do not exceed the recommended wattage.

WARNINGS:

All wires are connected. When unpacking, be careful not to pull wires as a bad connection may result. Do not connect electricity until your lamp is fully assembled.

To reduce the risk of fire, electrical shock, or personal injury, always turn off and unplug lamp and allow it to cool prior to replacing light bulb.

Do not touch bulb when fixture is turned on or look directly at lit bulb.

Keep flammable materials away from lit bulb.

THIS IS NOT A TOY AND THE PRODUCT HAS NO PLAY VALUE

TO ASSEMBLE:

1. Carefully remove all parts from the box and remove all plastic covering.
2. Turn off power to the junction box where the lamp will be installed.
3. Connect the hot wire to the hot junction box wire (usually black or smooth) with a plastic wire connector (A) and wrap the connector with electrical tape. Connect the neutral wire to the neutral junction box wire (usually white or ribbed) with a plastic wire connector (A) and wrap the connector with electrical tape.
4. Attach the ground wire from the fixture to the ground junction box wire from the outlet box (usually green or bare wire). Or wrap the ground wire around the ground screw (D).
5. Attach the mounting plate (C) to the outlet box using the mounting screw (B) and tighten it.
6. Attach the canopy (F) to the screw tube (E) using the ring (G) and tighten it.
7. Set the hoop (H) into the connect chain (J) then secure it with the screw joint (I).
8. Screw the bulb (L) into the socket (K).
9. Restore power to the junction box and test the lamp fixture.
10. Installation is complete.

CARE INSTRUCTIONS:

Do not use polishes or cleaners on your lamp.
WIPE CLEAN WITH SOFT CLOTH