

INDUSTRIAL LOCKER STORAGE BED TWIN



PARTS INCLUDED

- A [1] IRON FRAME
- B [1] BED BASE
- C [1] HEADBOARD
- D [3] MATTRESS SUPPORT PANELS

TOOLS NEEDED

- A [1] WRENCH (Provided)

HARDWARE LIST

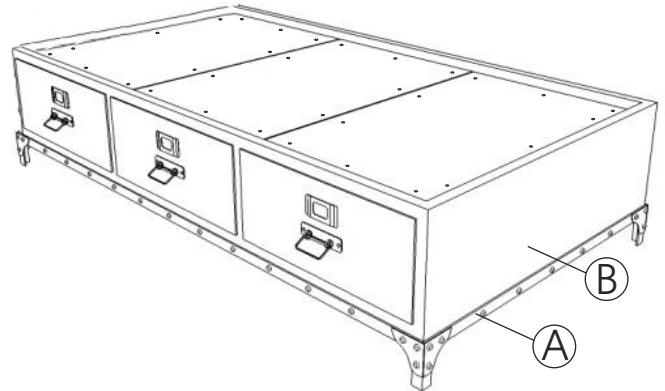
NO.	ITEM	DESCRIPTION	QTY.
1		Bolt	2 pcs.
2		Nuts	4 pcs.

ASSEMBLY INSTRUCTIONS

TWO OR MORE PEOPLE MAY BE NEEDED FOR EASY ASSEMBLY

1. Carefully unpack the contents of the carton and start the assembly as close to the final intended position as possible.
2. Place the Bed Base (B) onto the Iron Frame (A)
3. Place the legs of the Headboard (C) into the Iron Frame (A) as shown.
4. Fix the Headboard (C) to the Iron Frame (A), from underneath, using the 4 Nuts (2) provided.
5. Fix the Headboard (C) to the Bed Base (B) with Bolts (1) in the predrilled locations.
6. Assembly is complete.

Step 2



CARE INSTRUCTIONS

1. Clean periodically by wiping with a soft clean dry cloth.
2. Do not use abrasive cleaners, chemical cleaners, or metal polishes, as they may damage the finishes.

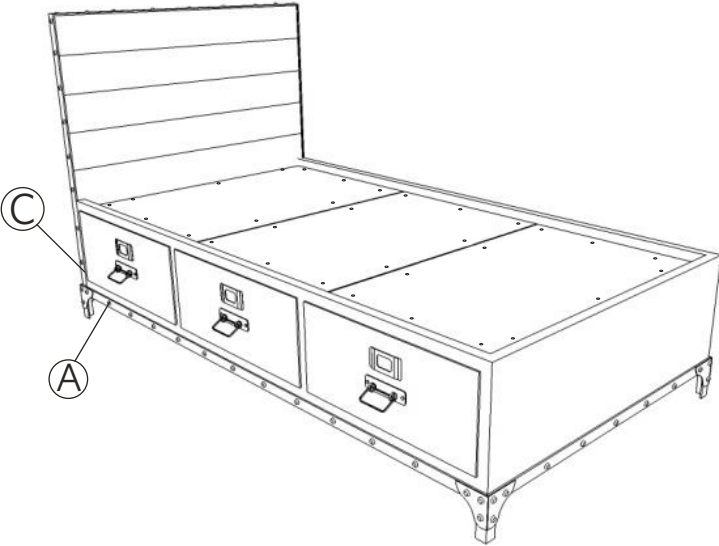
IMPORTANT SAFETY INSTRUCTIONS

Young children may be injured by tipping furniture and proper installation of the mounting hardware for this item is highly recommended.

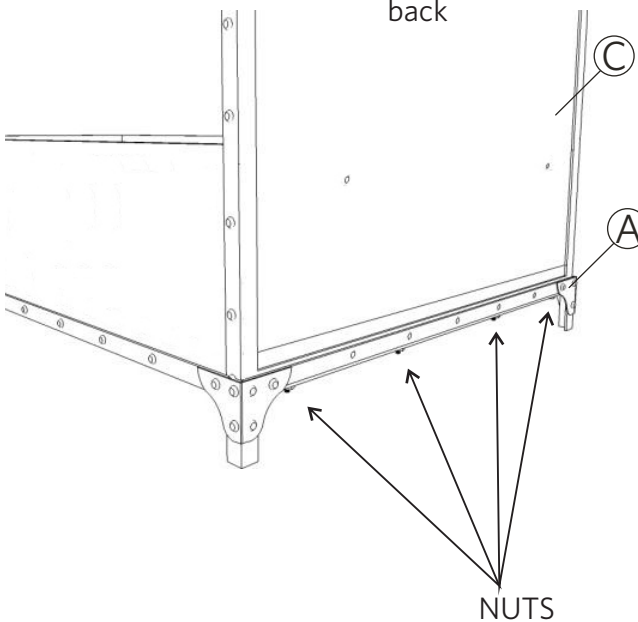
When properly installed, this mounting hardware could provide protection against the unexpected tipping of this furniture piece.

INDUSTRIAL LOCKER STORAGE BED TWIN

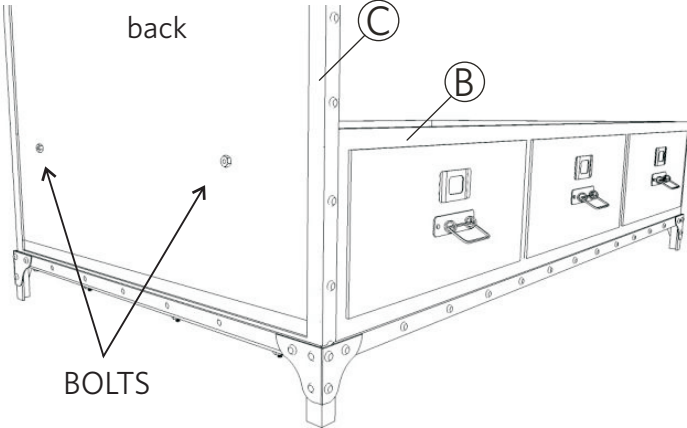
Step 3



Step 4



Step 5



Step 6

