

INDUSTRIAL PIPE SHELVING



PARTS INCLUDED

- A [2] FEET
- B [2] RODS
- C [6] SHELVES
- D [4] SHORT 11"H PIPE
- E [6] LONG 12"H PIPE
- F [2] BENT PIPES

TOOLS NEEDED

- A [1] PHILLIPS HEAD SCREWDRIVER (Not provided).

HARDWARE LIST

NO.	ITEM	DESCRIPTION	QTY.
1		Screw	8 pcs.
2		Plastic Anchor	8 pcs.

ASSEMBLY INSTRUCTIONS

TWO OR MORE PEOPLE ARE RECOMMENDED FOR EASY ASSEMBLY

1. Carefully unpack the contents of the carton and start the assembly close to the final intended position.
2. Screw the bottom Feet (A) to the Rods (B) with threaded ends.
3. Insert one Shelf onto the Rods (B) as shown, then insert 2 Short 11"H Pipe (D) onto all 2 Rods (B) above the shelf.
4. Repeat step 3 again.
5. Insert one shelf (C) onto the Rods (B) above the Short 11"H Pipes. Insert 2 Long 12"H Pipes onto the Rods (B). Repeat this step 3 times.
6. After inserting the last shelf (C) onto the Rods (B), screw the Bent Pipes (F) to the ends of the 2 Rods (B) and Fix them to the wall with screws. Use anchors if needed.
7. Assembly is complete.

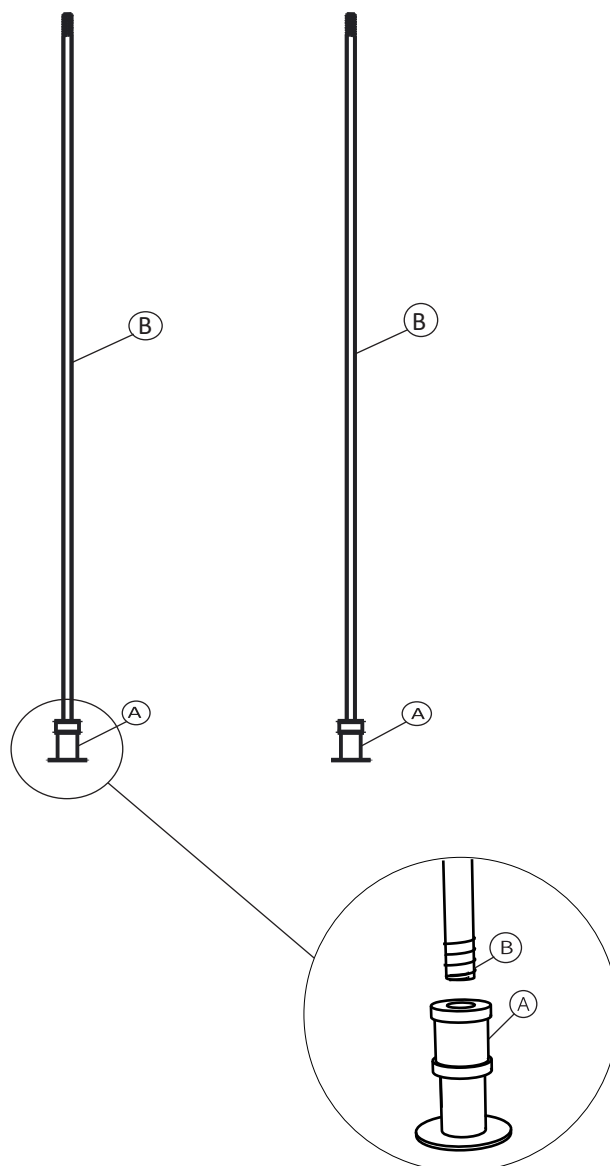
CARE INSTRUCTIONS

1. Clean periodically by wiping with a soft clean dry cloth.
2. Do not use abrasive cleaners, chemical cleaners, or metal polishes, as they may damage the finishes.

IMPORTANT SAFETY INSTRUCTIONS

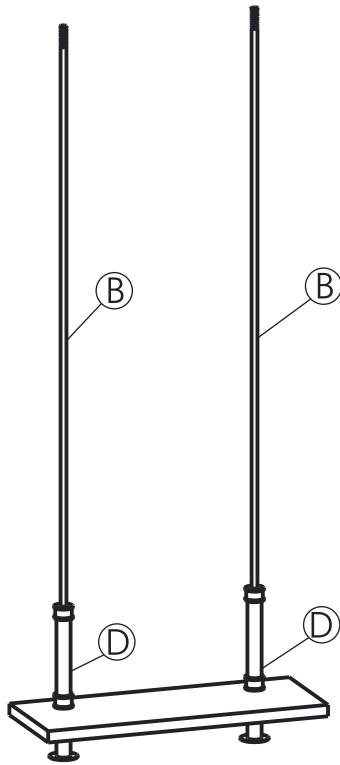
Young children may be injured by tipping furniture and proper installation of the mounting hardware for this item is highly recommended. When properly installed, this mounting hardware could provide protection against the unexpected tipping of this furniture piece.

Step 2

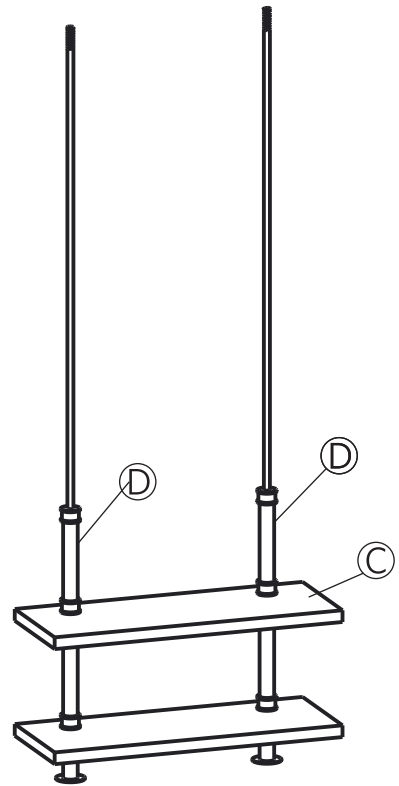


INDUSTRIAL PIPE SHELVING

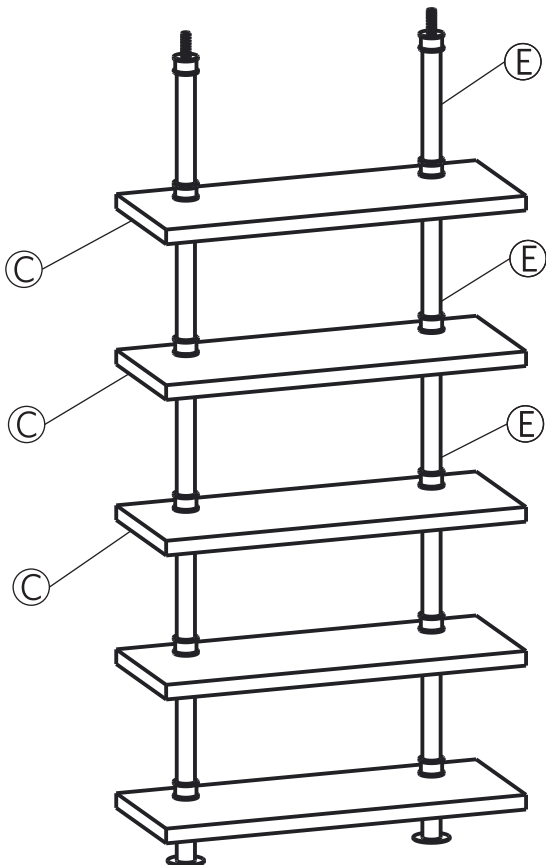
Step 3



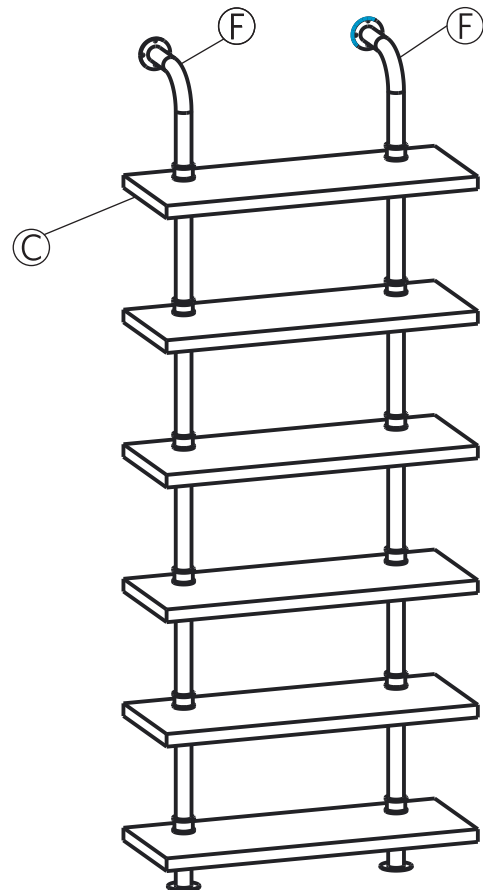
Step 4



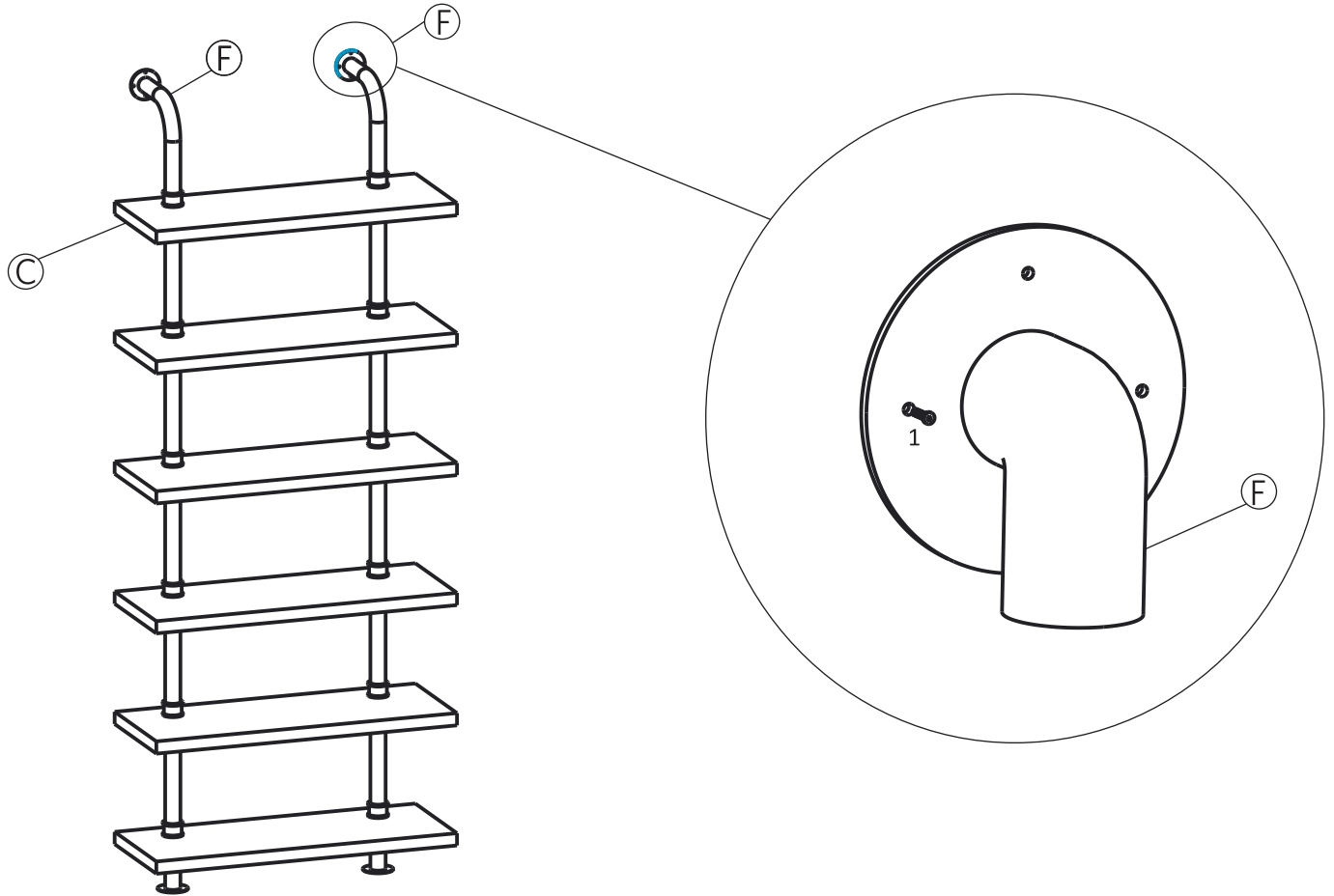
STEP 5



STEP 6



INDUSTRIAL PIPE SHELVING



To complete the installation fix the unit to wall with the screw (1) and Plastic Anchor in the predrilled holes in Bent Pipe (A) as shown above.