

# RH BABY & CHILD

## INDUSTRIAL ERA TASK SCONCE – ASSEMBLY INSTRUCTIONS

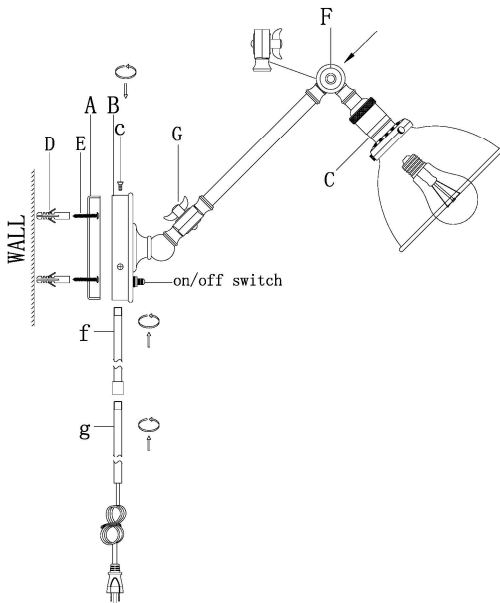
Thank you for selecting RH Baby & Child lighting. Our assortment is crafted with the highest quality materials that coordinate perfectly with our Baby & Child bedding collections, making it easy to create an elegant nursery or child's bedroom. Each item's surface is sealed which eliminates the need for polishing and ensures a lasting finish for years to come.

### PARTS ENCLOSED:

- (A) Mounting Plate (1)
- (B) Back Plate (1)
- (C) Socket (1)
- (D) Wall Anchors (2)
- (E) Wall Screws (2)
- (F) Shade Knob (1)
- (G) Arm Knob (1)
- (c) Plate Screws (3)
- (f) Top Cord Cover (1)
- (g) Bottom Cord Cover (1)

### INDUSTRIAL ERA TASK SCONCE

#### Plug-In Installation



### IMPORTANT SAFETY INSTRUCTIONS:

The luminaire can be used as plug in or a fixed unit when used with the appropriate conversion kit. For your safety, this sconce is equipped with a 3-pronged polarized plug. If the plug does not fit securely into your outlet, do not force it – contact a professional electrician. Use the plug with an extension cord only if it can be fully inserted into the cord's socket. Never alter the plug in any way.

This fixture has been rated for up to (1) 40W-max Type A bulb or (1) 13W-max CFL bulb (not included).

To avoid the risk of fire, do not exceed the recommended wattage.

### WARNINGS:

All wires are connected. When unpacking, be careful not to pull wires as a bad connection may result. Do not connect electricity until your sconce is fully assembled. To reduce the risk of fire, electrical shock, or personal injury, always turn off and unplug lamp and allow it to cool prior to replacing light bulb.

Do not touch bulb when fixture is turned on or look directly at lit bulb. Keep flammable materials away from lit bulb.

DO NOT REMOVE THE CARDBOARD INSULATOR SURROUNDING THE SOCKET. THIS PRODUCT IS NOT A TOY AND HAS NO PLAY VALUE.



### WARNING: STRANGULATION HAZARD

Keep cord at least 3 feet away from cribs, bassinets, and toddler beds. Keep out of reach of children under 3 years of age.

### PLUG-IN ASSEMBLY INSTRUCTIONS:

1. Carefully remove all parts from the box and remove all plastic coverings.
2. Drill 2 holes in the wall that align with the holes on the mounting plate of the lamp and insert wall anchors (D).
3. Screw wall screws (E) into anchors and slide mounting plate (A) onto screws.
4. Attach the back plate (B) to the mounting plate (A) and use the plate screw (c) to secure.
5. Screw the top cord cover (f) into the hole located on the bottom of the back plate (B).
6. Screw the bottom cord cover (g) into the top cord cover (f).
7. Turn the shade knob (F) and arm knob (G) to your desired height.
8. Insert (1) 13W CFL bulb or (1) 40W-max type A bulb into the threaded socket (C).
9. Plug into proper electrical outlet and turn on/off switch to test fixture.

### CARE INSTRUCTIONS:

To clean, use a soft cloth only.

Do not use polishes or cleaners on your lamp.

# RH BABY & CHILD

## INDUSTRIAL ERA TASK SCONCE – ASSEMBLY INSTRUCTIONS

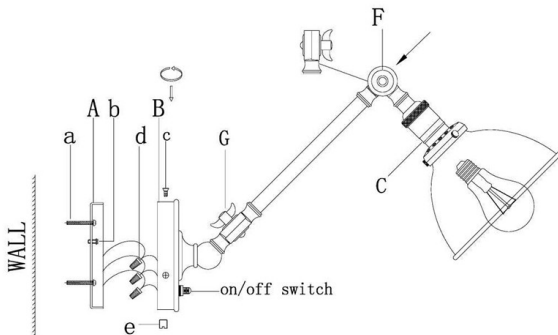
Thank you for selecting RH Baby & Child lighting. Our assortment is crafted with the highest quality materials that coordinate perfectly with our Baby & Child bedding collections, making it easy to create an elegant nursery or child's bedroom. Each item's surface is sealed, which eliminates the need for polishing and ensures a lasting finish for years to come.

### PARTS ENCLOSED:

- (A) Mounting Plate (1) (a) Mounting Plate Screws (2)  
(B) Back Plate (1) (b) Green Ground Wire Screw (1)  
(C) Socket (1) (c) Plate Screws (3)  
(F) Shade Knob (1) (d) Wire Connectors (3)  
(G) Arm Knob (1) (e) Plug Screw (1)

### INDUSTRIAL ERA TASK SCONCE

#### Direct-Wire Installation



### IMPORTANT SAFETY INSTRUCTIONS:

The luminaire can be used as plug in or a fixed unit when used with the appropriate conversion kit. For your safety, this sconce is equipped with a 3-pronged polarized plug. If the plug does not fit securely into your outlet, do not force it – contact a professional electrician. Use the plug with an extension cord only if it can be fully inserted into the cord's socket. Never alter the plug in any way.

This fixture has been rated for up to (1) 40W-max Type A bulb (not included) or (1) 13W-max CFL bulb (not included).

To avoid the risk of fire, do not exceed the recommended wattage.

### WARNINGS:

All wires are connected. When unpacking, be careful not to pull wires as a bad connection may result. Do not connect electricity until your sconce is fully assembled. To reduce the risk of fire, electrical shock, or personal injury, always turn off and unplug lamp and allow it to cool prior to replacing light bulb.

Do not touch bulb when fixture is turned on or look directly at lit bulb.

Keep flammable materials away from lit bulb.

DO NOT REMOVE THE CARDBOARD INSULATOR SURROUNDING THE SOCKET. THIS PRODUCT IS NOT A TOY AND HAS NO PLAY VALUE.



### WARNING: STRANGULATION HAZARD

Keep cord at least 3 feet away from cribs, bassinets, and toddler beds.  
Keep out of reach of children under 3 years of age.

### DIRECT-WIRE ASSEMBLY INSTRUCTIONS:

1. Carefully remove all parts from the box and remove all plastic coverings.
2. SHUT OFF THE MAIN ELECTRICAL SUPPLY FROM THE MAIN FUSE BOX / CIRCUIT BREAKER.
3. Cut the plug from the end of the electrical cord. From the back side of the fixture, pull the electrical cord through the exit hole at the bottom of the back plate. Then thread plug screw (e) into the hole vacated by the cord.
4. Cut the cord to the desired length (at least 6" from the back plate) to make a "J BOX" connection.
5. Guide the wiring from the outlet box through the center hole in the mounting plate (A).
6. Attach the mounting plate (A) to the outlet box using the mounting plate screws (a) to secure.
7. Attach the ground wire (usually green or bare wire) from the fixture to the ground junction box wire from the outlet box (usually green or bare wire). Or wrap the ground wire around the green ground wire screw (b).
8. Connect the hot wire to the hot junction box wire (usually black) with a wire connector (d) and wrap the connection with electrical tape. Connect the neutral wire to the neutral junction box wire (usually white) with a plastic wire connector (d) and wrap the connection with electrical tape.
9. Attach the back plate (B) to the mounting plate (A) and use the plate screw (c) to secure the back plate.
10. Turn the shade knob (F) and arm knob (G) to your desired height.
11. Insert (1) 40W-max Type A bulb (not included) or (1) 13W-max CFL bulb (not included) into the threaded socket (C).
12. Restore power to the junction box and turn on/off switch to test lamp fixture.
13. Installation is complete.

### CARE INSTRUCTIONS:

To clean, use a soft cloth only.

Do not use polishes or cleaners on your lamp.