

baby&child

RESTORATION HARDWARE

FRENCH LIBRARY LOW SHELVING

Customer Service - If you are missing parts or have any questions about this product please contact us at : 1-800-762-1751

IMPORTANT SAFETY INSTRUCTIONS:

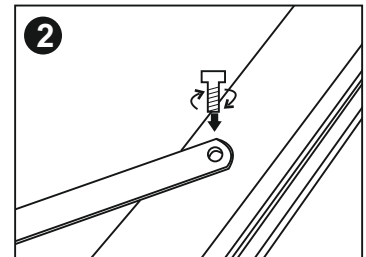
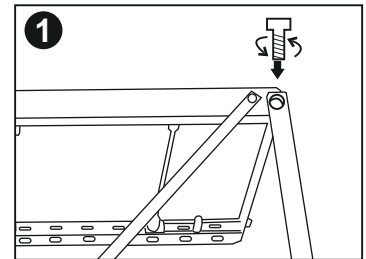
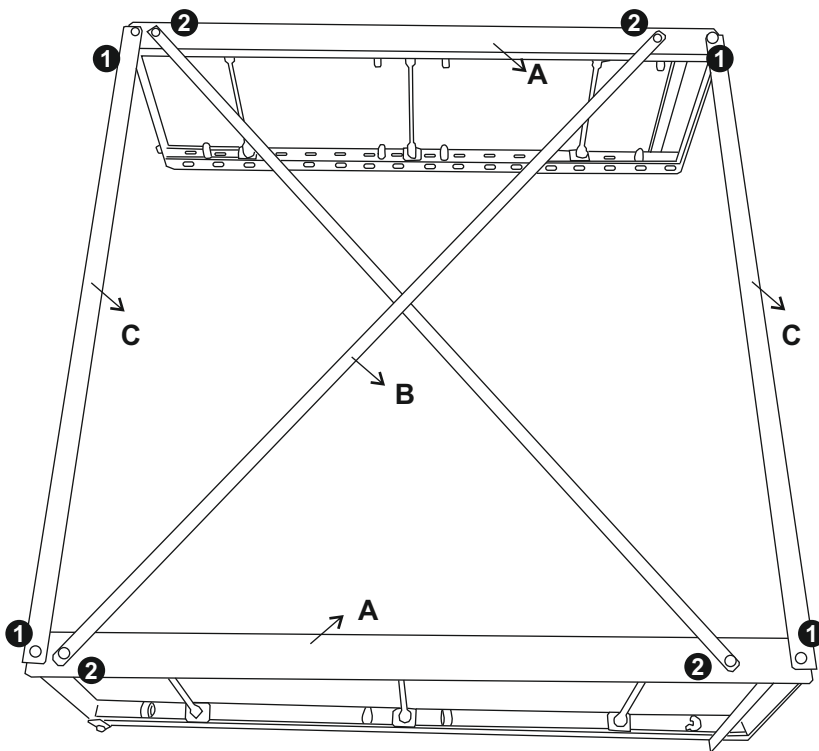
For your safety, it is recommended that two people assemble the unit.

These instructions are provided for your safety. It is important that they are read carefully and completely before installation of the fixture.

PART LIST

A - Side Panels	2 Pcs.	D - Shelf Bracket	4 Pcs.
B - Cross Bracing	1 Pc.	E - Wooden Shelves	4 Pcs.
C - Angle Support	4 Pcs.	F - Wrench	2 Pcs.

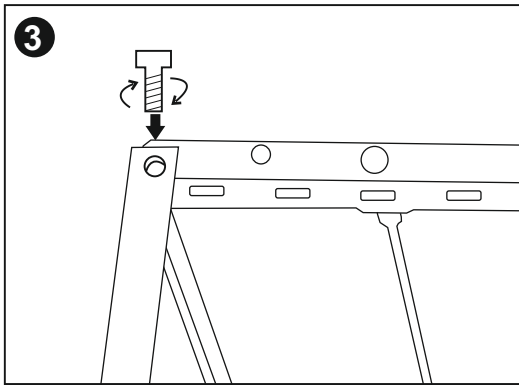
Assemble the shelving unit as close to its final location as possible. Assemble the shelving unit facing down on the ground. Place the two side panels (A) on the ground, same ends facing one direction, and follow the steps as below :



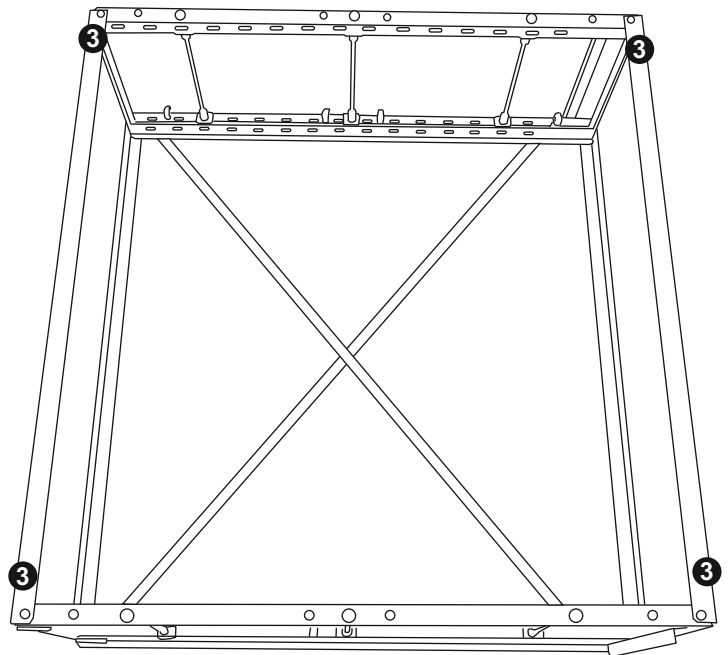
Step 1 : Remove the pre-installed bolts from the back ends of the Side Panels (A). Place the Angle Supports (C) at both ends of Side Panels and tighten the bolts back in place.

Step 2 : Remove the pre-installed bolts from back of the Side Panel (A) and place bolts from the back ends of the Cross Bracing (B) to match the holes, and re-tighten the bolts.

Turn the shelving unit so the Cross Bracing (B) faces the floor.

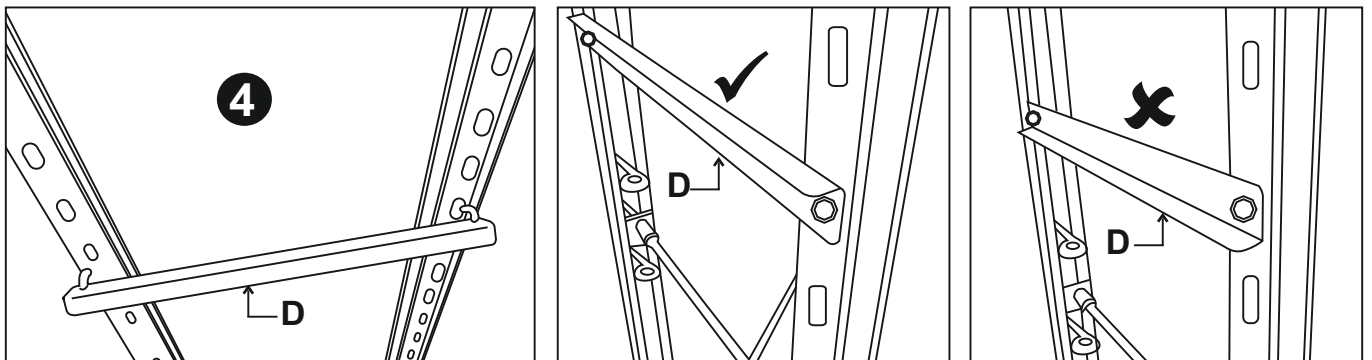


Step 3 : Remove lower front bolts & place the other two Angle Supports (C) at both ends of Side Panels and tighten the bolts back in place.

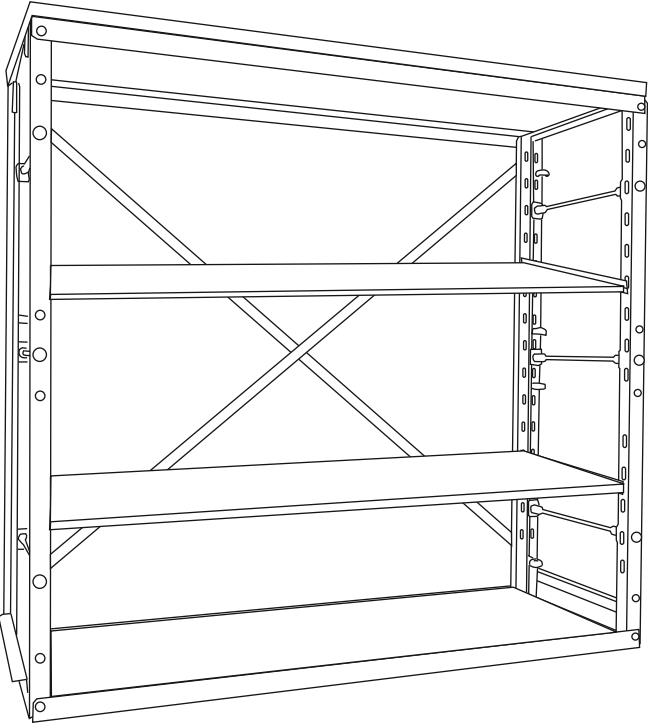
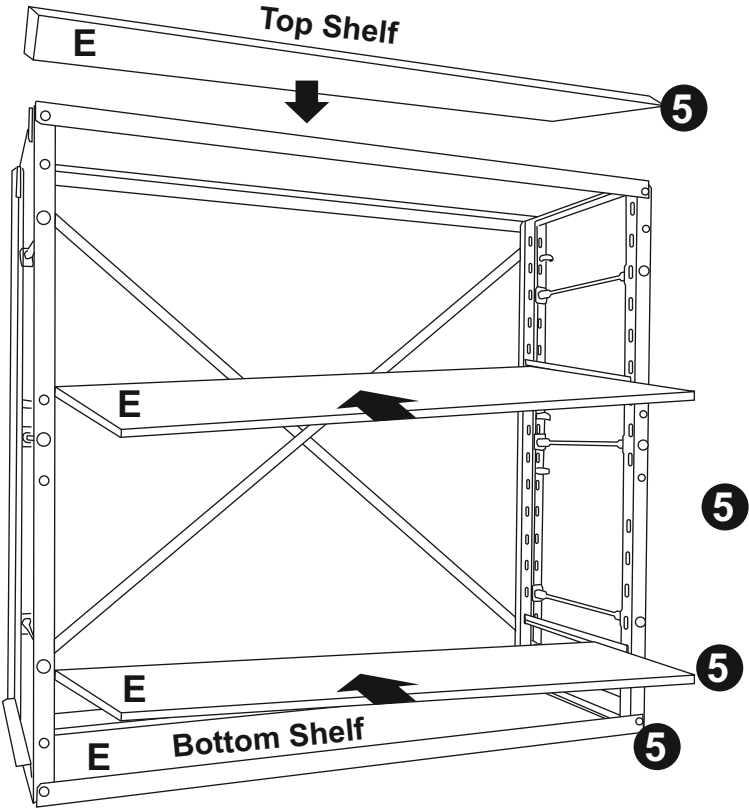


Using two people lift the shelving unit upright and move into place.

Step 4 : Place the Shelf Brackets (D) in the holes of Side Panels (A) at desired level.



Step 5 : Place top shelf on top of unit, & place bottom shelf at bottom of unit. Slide 2 shelves onto the sets of Shelf Brackets (D).



FURNITURE TIPPING RESTRAINT INSTRUCTION



WARNING:

Young children may be injured by tipping furniture and proper installation of the mounting hardware for this item is highly recommended. When properly installed, this mounting hardware could provide protection against the unexpected tipping of this furniture piece.

This product is only a deterrent. It is not a substitute for proper adult supervision.

Hardware Included:



Wall Bracket :
2 Pcs.



Screws :
4 Pcs.



Nylon Strap :
2 Pcs.



Anchors :
4 Pcs.

TOOLS NEEDED

Phillips head screwdriver (not included)

ASSEMBLY INSTRUCTIONS:

1. Determine the final position of the furniture piece. Mark location on the wall approximately 2" below the top of the furniture.
2. Drill a starter hole into the wall stud. If wall stud is not available, drill a hole into the wall and insert plastic anchor. Gently tap the anchor until the flange of the anchor is flush with the wall.
3. Place the furniture so the Side Panels (A) are in line with the brackets on the wall.
4. Lace the supplied nylon straps through the wall bracket & around the side panel. Bring both ends together and slide the beaded end until it snap locks into the keyhole slot.
5. To double lock, return the beaded ends back through keyholes.
6. Check to make sure the straps are securely laced and locked to the brackets.

CARE INSTRUCTIONS:

To clean, wipe with a soft dry cloth.

Avoid use of harsh chemicals or abrasive cleaners as they may damage the finishes.

FIGURE 1

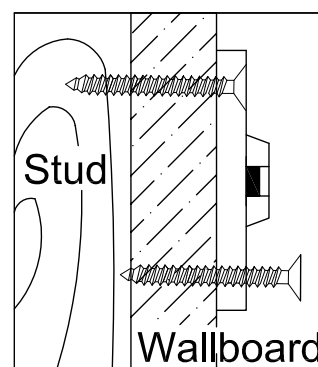


FIGURE 2

