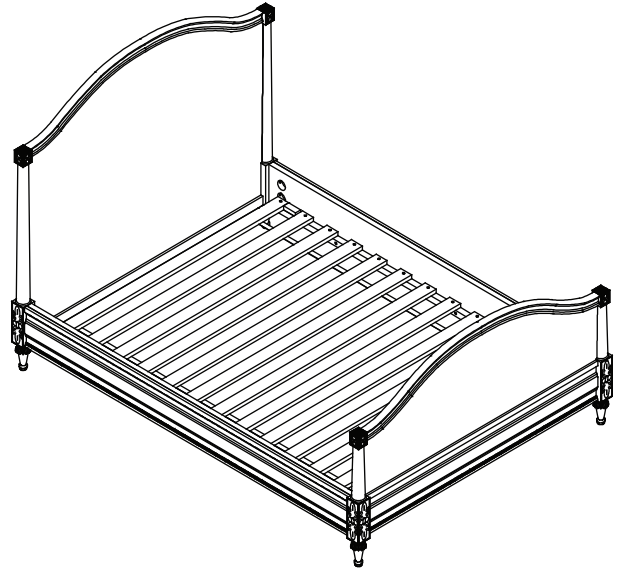


⚠ WARNING: ADULT ASSEMBLY ONLY OWING TO THE PRESENCE OF SMALL PARTS, SHARP POINTS AND EDGES

PART LIST

- A HEADBOARD
- B SIDE RAILS
- C FOOT BOARD
- D SET OF BED SLATS
- E LEG







TOOLS NEEDED

Phillips Head Screwdriver (not included)

IMPORTANT

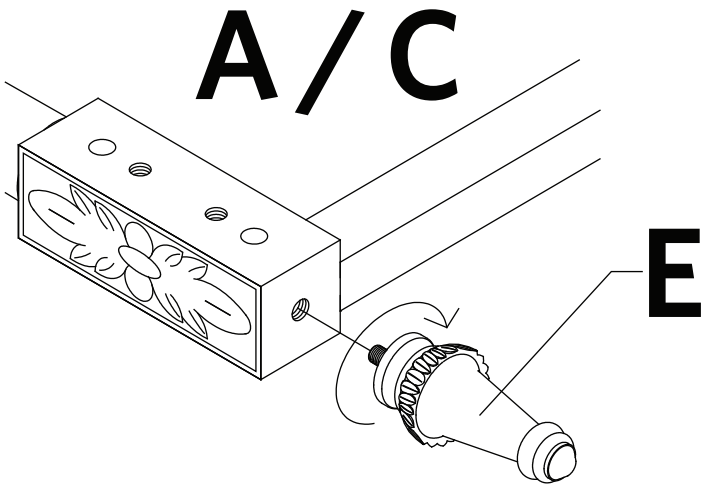
We recommend assembly by two or more people.

HARDWARE LIST

NO.		DESCRIPTION	QTY.
1		THREADED ROD	8 PCS
2		CURVED WASHER	8 PCS
3		LOCK WASHER	8 PCS
4		HEX NUT	8 PCS
5		WRENCH	1 PC
6		SCREW	26 PCS

Customer Service - If you are missing parts or have any question about this product please contact us at 1-800-762-1751

FIGURE 01



ASSEMBLY INSTRUCTIONS:

Thank you for choosing this quality product. Be sure to check all packaging materials carefully for small parts that may have become loose during shipment and place all parts on a non-abrasive surface.

The bed is composed of several components: The headboard, side rails, foot board, bed slats, support slat and leg. Determine the intended location and ensure there is enough space to work with and fully read these instructions before starting assembly.

STEP #1:

Gently lay down the headboard (A) and footboard (C) on a clean and non-abrasive surface.

NOTE: on the bottom of both headboard (A) and footboard (C) are holes with pre-installed nuts that correspond with the threaded rods pre-installed in the legs (E).

STEP #2

Align and insert the threaded rods of the legs (E) into the holes and turn clockwise to tighten as illustrated in FIGURE 01.

STEP #3:

Place the headboard (A) upright in the position you wish the bed to be in when fully assembled. The headboard bed fast hardware should be facing the inside, toward the mattress. Secure the threaded rods (1) to the fixed nuts in the headboard (A) by simply turning manually. Raise the side rail (B) up and place the rods (1) to align with the bore holes on the end of the side rails (B). Put the side rails (B) up against the headboard (A) so the threaded rods go through the bore holes. Insert curved washers (2) and lock washers (3), place hex nuts (4) on threaded rods (1) and tighten hex nuts (4) with wrench (5), as illustrated in FIGURE 02.

FIGURE 02

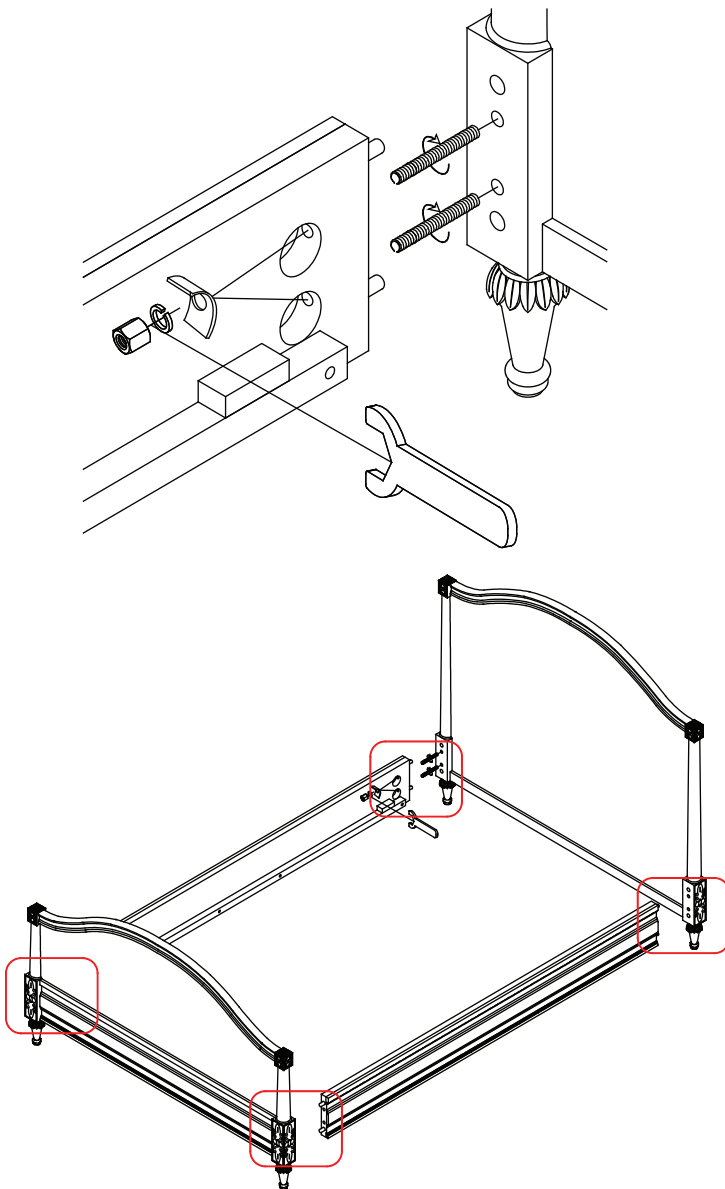
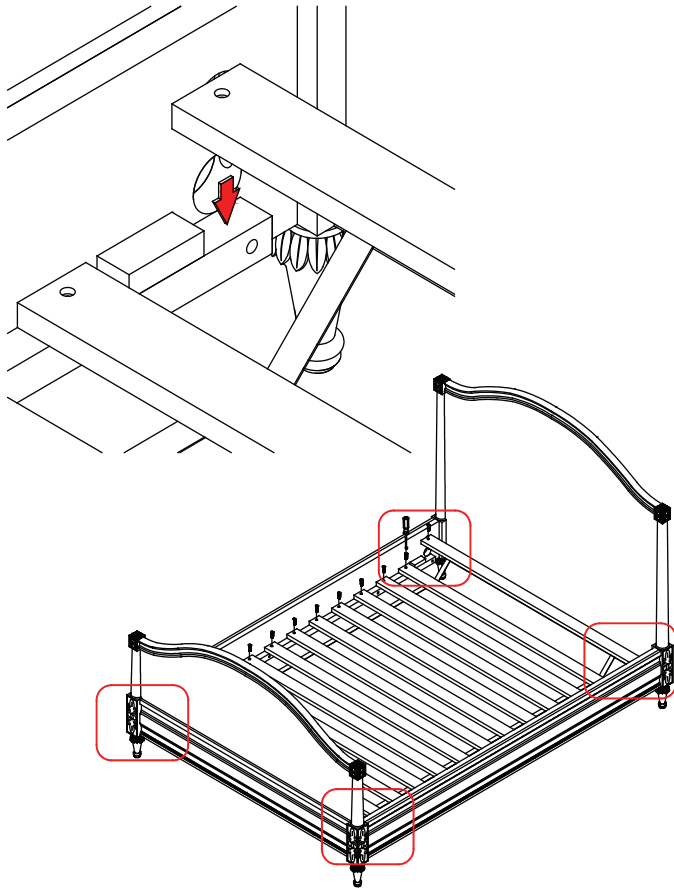


FIGURE 03



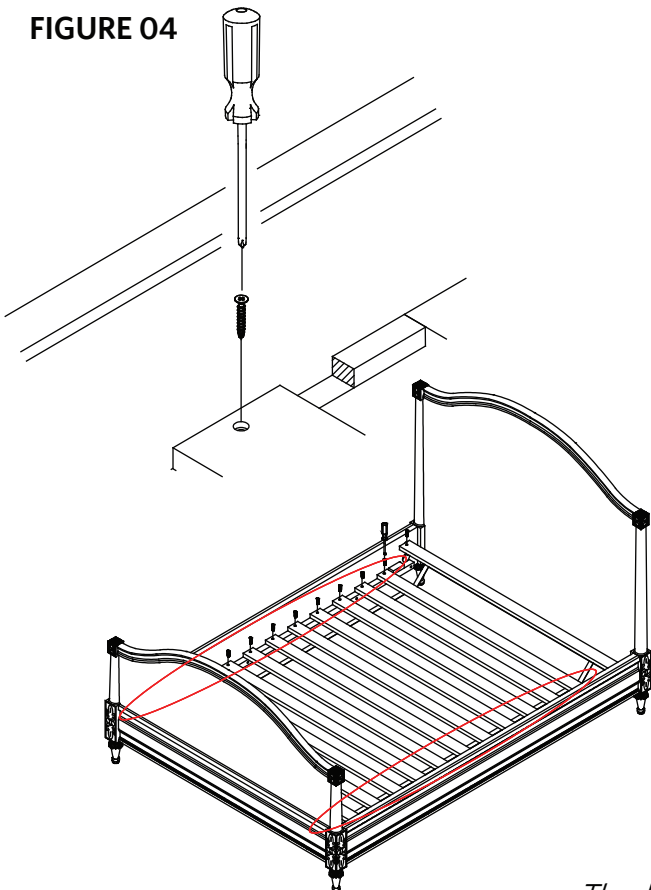
STEP #4:

Repeat the above procedure with the other side rail (B) to attach it to the headboard (A), and then repeat to connect side rails (B) to the footboard (C).

STEP #5:

On inside face of both side rails (B) are cleats and wooden stoppers, designed to hold the set of slats. Set the bed slats (D) into the cleats of the side rails (B) and secure the slats with Phillip screws (6) provided. Please see FIGURE 03 and FIGURE 04.

FIGURE 04



Thank you for your purchase
www.rhbabyandchild.com