

# RH TEEN

## ODETTE QUEEN BED

### PARTS INCLUDED:

- A [1] HEADBOARD
- B [1] FOOTBOARD
- C [2] SIDE RAILS
- D [1] SLAT ROLLS
- E [5] SUPPORT LEGS

### ASSEMBLY INSTRUCTIONS:

#### STEP 1:

- Insert Threaded Rod (1) through the Headboard (A). Place towels or some other soft item (not included) under each Side Rail (C). These will protect the floor while lifting the rails, allowing for easier attachment to the headboard & footboard. Raise the Side Rail (C) up and place the rod into the Side Rail (C) at the bore holes position. Insert Curved Slotted Washer (2) and tighten Hex Nuts (3) using Wrench (4).
- Repeat the steps with the other ends of the Side Rails (C) and to attach Footboard (B).

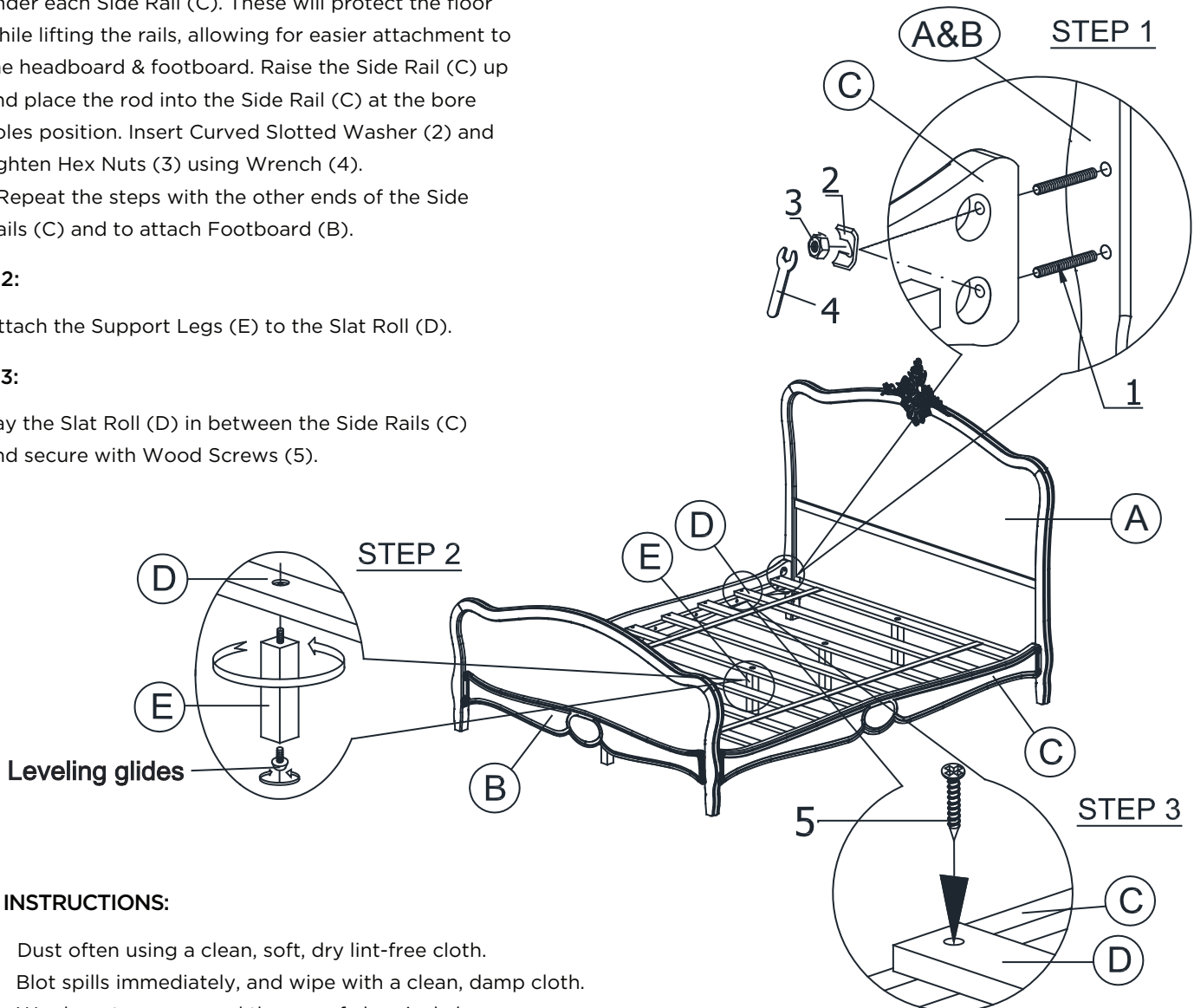
#### STEP 2:

- Attach the Support Legs (E) to the Slat Roll (D).

#### STEP 3:

- Lay the Slat Roll (D) in between the Side Rails (C) and secure with Wood Screws (5).

NO.	ITEM	DESCRIPTION	QTY.
1		Threaded Rod 5/16x3"	8pcs.
2		Curved Slotted Washer	8pcs.
3		Hex Nut 5/16"	8pcs.
4		Hex Wrench 12mm	1pc.
5		Wooden Screw 8x30mm	18pcs.



### CARE INSTRUCTIONS:

1. Dust often using a clean, soft, dry lint-free cloth.
2. Blot spills immediately, and wipe with a clean, damp cloth.
3. We do not recommend the use of chemical cleansers, abrasives, or furniture polish on our lacquered finish.