

HAYLAN WRITING DESK MIRROR HUTCH

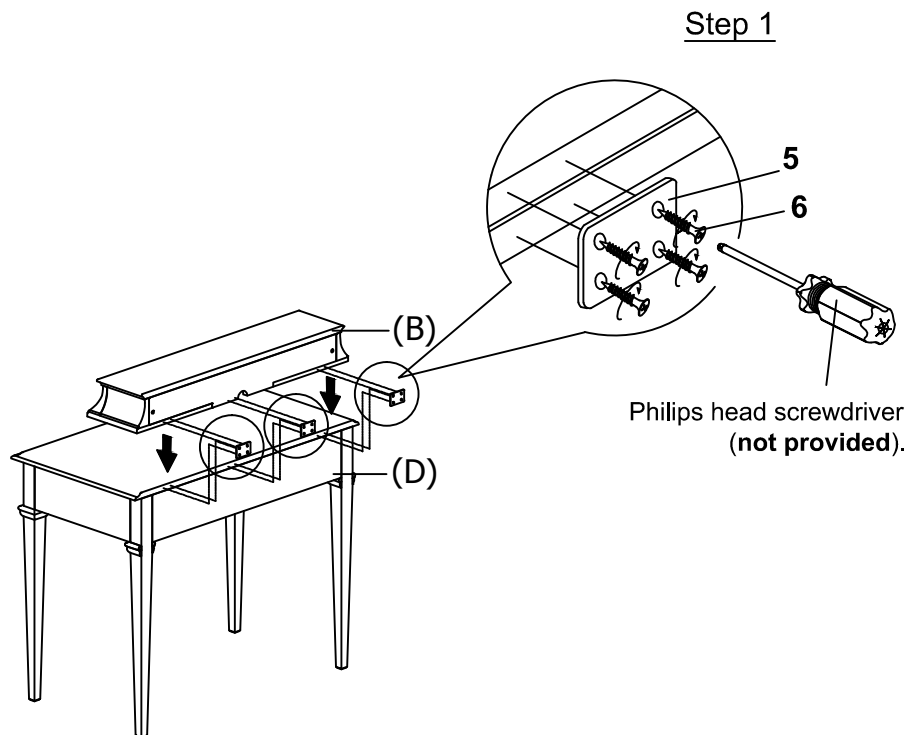
PARTS INCLUDED

- A [1] DESK MIRROR
- B [1] DESK HUTCH
- C [2] MIRROR SUPPORT
- D [1] WRITING DESK

NO.	ITEM	DESCRIPTION	QTY.
1		1/4" Flat Washer	6pcs
2		1/4" Spring Washer	6pcs
3		1/4" x 1-1/2" Bolt	6pcs
4		4mm Allen Wrench	1pc
5		Metal Brackets	3pcs
6		7 x 15mm Wood Screws	12pcs

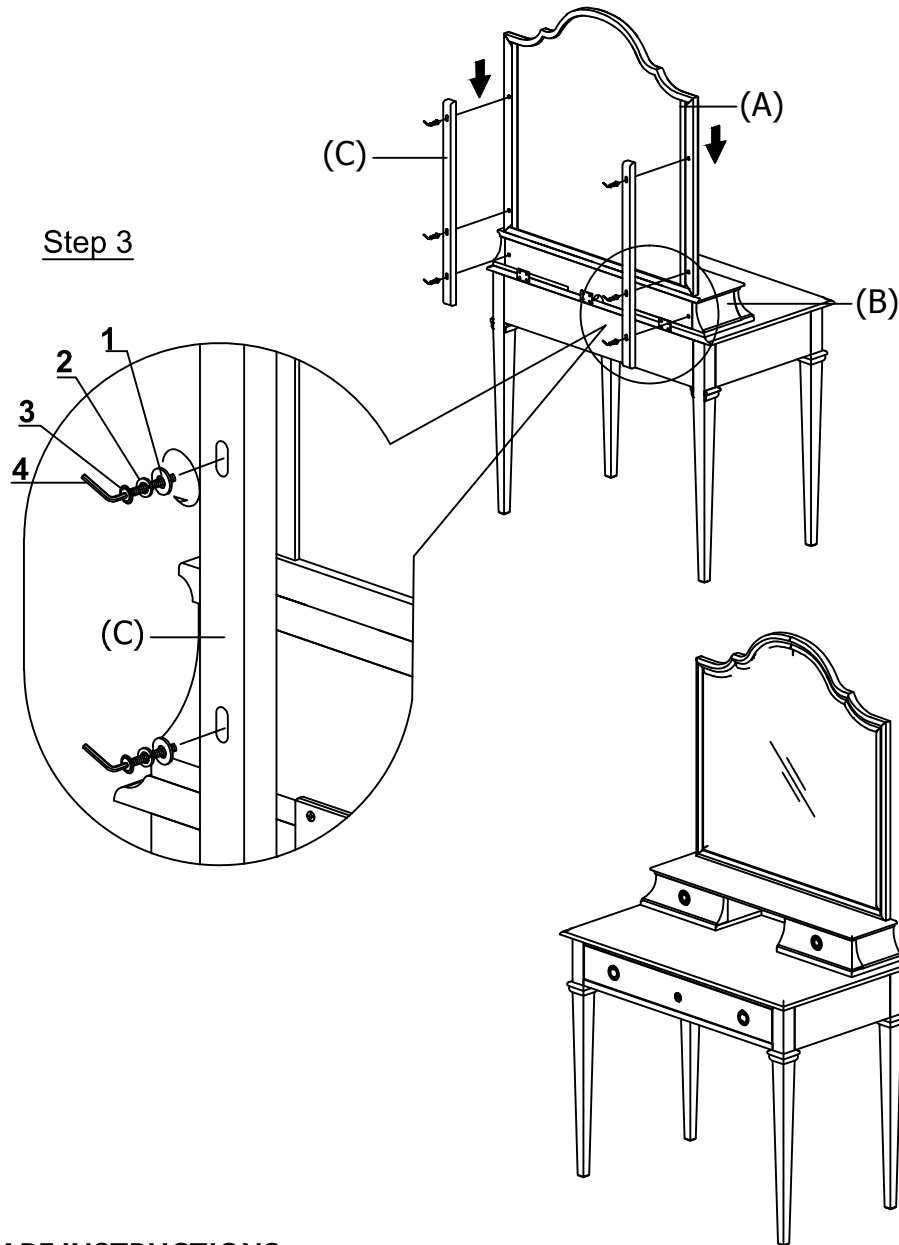
ASSEMBLY INSTRUCTIONS

- To connect Desk Hutch (B) onto Writing Desk (D) (sold separately), place [3] Metal Brackets (5) over the pre-drilled holes on back of Desk Hutch (B) and secure it to Writing Desk (D) with [12] Wood Screws (6).



HAYLAN WRITING DESK MIRROR HUTCH

- To connect Desk Mirror (A) to Desk Hutch (B), place [2] Mirror Support (C) over the pre-drilled holes on back of Desk Hutch (B) and Desk Mirror (A). Insert Bolt (3) into the holes of Mirror Support (C) with Flat Washer (1) and Spring Washer (2) using Allen Key (4), and tighten. Repeat with second Mirror Support.



CARE INSTRUCTIONS:

- Dust often using a clean, soft, dry lint-free cloth.
- Blot spills immediately, and wipe with a clean, damp cloth.
- We do not recommend the use of chemical cleansers, abrasives, or furniture polish on our lacquered finish.

Thank you for your purchase
www.rhbabyandchild.com