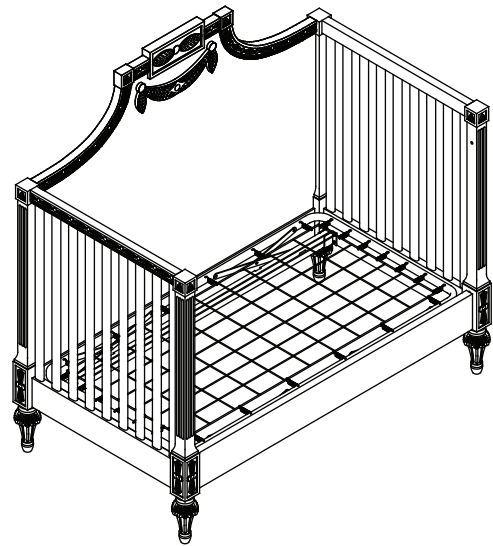


All Restoration Hardware cribs are designed to meet the highest safety standards and comply with all U.S. and Canadian cribs and cradles regulations.

Made in Vietnam
Distributed in the U.S.A. by:
Restoration Hardware Baby & Child
11640 Harrel St. Suite B
Mira Loma, CA 91752
www.rhbabyandchild.com

Distributed in Canada by:
Restoration Hardware Canada, Inc.
1500-1055 West Georgia Street
Vancouver, British Columbia V6E4N7

Model No. 104858
"ROSELLE CONVERSION TODDLER
BED KIT"



WARNING: Read all instructions before assembling this product. **KEEP INSTRUCTIONS FOR FUTURE USE.**

CUSTOMER SERVICE

If you are missing parts or have any questions about this product, contact us first. You can also order parts by writing to the address above. Include the product model number, color, and a brief description of the part. Call 1-800-762-1751.

CARE AND CLEANING

DO NOT scratch or chip the finish. **DO NOT** use abrasive chemicals for cleaning. Dust often using a clean, soft, dry cloth. Blot spills immediately and wipe with a clean damp cloth. If the crib is to be stored, store in a cool dry place and carefully package all original hardware to protect from loss.

TOOLS AND INSTALLATION

Tools Necessary: Allen Key (included)

NOTE: It may be easier to assemble product with two people.

NOTE: When inserting bolts, turn clockwise until tight. Then loosen $\frac{1}{2}$ - $\frac{3}{4}$ of a turn. After crib is completely assembled, return to each bolt and tighten. Use wax or soap on all bolts to facilitate assembly

IMPORTANT SAFETY INFORMATION FOR TODDLER & DAY BEDS



WARNING: ENTRAPMENT / STRANGULATION HAZARD

Infants have died in toddler beds from entrapment and strangulation. Failure to follow these warnings and the assembly instructions could result in serious injury or death.

NEVER use bed with children under 15 months.

NEVER place bed near windows where cords from blinds or drapes may strangle a child.

- The mattress intended for use on the bed shall be a full-size crib mattress having minimum dimensions of 51-5/8 inches (1310mm) in length, 27-1/4 inches (690mm) in width and 4 inches (100 mm) in thickness, not exceeding 6 inches (152 mm) in thickness.
- If guardrails are used as the mattress containment means, guardrail(s) provided must be used to avoid the formation of a gap between the mattress and the bed that could cause an entrapment.
- **DO NOT** place bed near windows where cords from blinds or drapes may strangle a child.
- **DO NOT** place items with a string, cord, or ribbon around a child's neck, such as hood strings or pacifier cords.
- **DO NOT** suspend strings over a toddler bed for any pacifier cords.
- A child using the toddler or day bed shall be at least 15 months of age and shall not weigh more than 50lbs (22.7kgs).

ROSELLE CONVERSION TODDLER BED KIT

 **WARNING:** ADULT ASSEMBLY ONLY OWING TO THE PRESENCE OF SMALL PARTS, SHARP POINTS AND EDGES.

CAUTION

TODDLER BED: THE MINIMUM AGE SHALL NOT BE LESS THAN 15 MONTHS AND THE MAXIMUM WEIGHT SHALL NOT BE GREATER THAN 50LBS. (22.7 KG).

THE MATTRESS INTENDED FOR USE ON THE BED SHALL BE A FULL-SIZE CRIB MATTRESS HAVING MINIMUM DIMENSIONS OF 51-5/8 IN. (1310MM) IN LENGTH, 27-1/4 IN(690MM)IN WIDTH AND 4 IN. (100MM) IN THICKNESS NOT EXCEEDING 6 IN. (152MM) IN THICKNESS.

CARE INSTRUCTIONS:

- Dust often using a clean, soft, dry, lint- free cloth.
- Blot spills immediately, and wipe with a clean, damp cloth.
- We do not recommend the use of chemical cleaners, abrasive, or furniture polish on our lacquered finish.

PART LIST

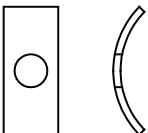
- A. ROSSEL CONVERSION CRIB HEAD BOARD
- B. ROSSEL CONVERSION CRIB END RAIL PANELS
- C. ROSSEL TODDLER BED CONVERSION KIT
- D. MATTRESS SUPPORT

HARDWARE

THREADED ROD = 4 PCS



CURVED WASHER = 4 PCS



HEXAGONAL NUT = 4 PCS



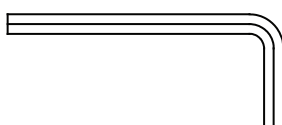
LOCK WASHER = 4 PCS



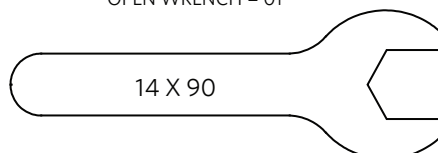
(DD) 1/4" X 1/2" BOLT = 2 PCS



ALLEN WRENCH = 1



OPEN WRENCH = 01



TODDLER CONVERSION KIT
ASSEMBLY HARDWARE IS
INCLUDED IN THE TODDLER
KIT BOX.

ASSEMBLY INSTRUCTIONS

STEP #1. STATIONARY FRONT RAIL DISASSEMBLY.

STEP #1.1:

Remove the Stationary Front Rail of the crib by loosening all the bolts installed. as in DETAIL A

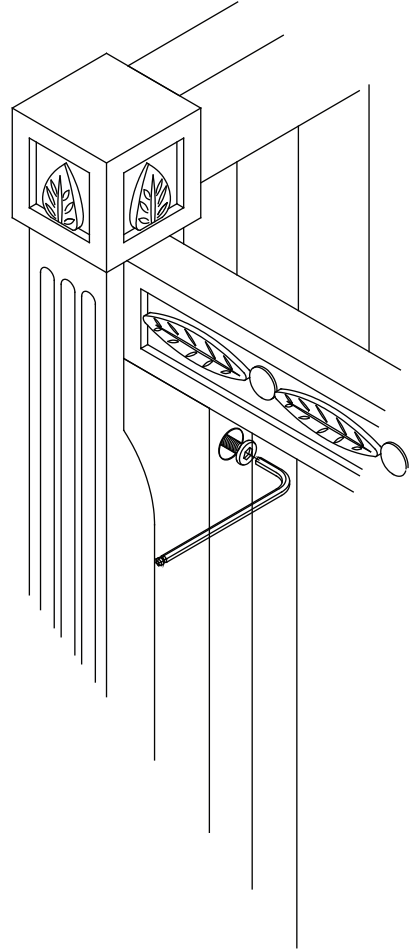
STEP #1.2:

Gently tilt the crib and release the bolts underneath the metal brackets holding the Stabilizer Rails as in DETAIL B.

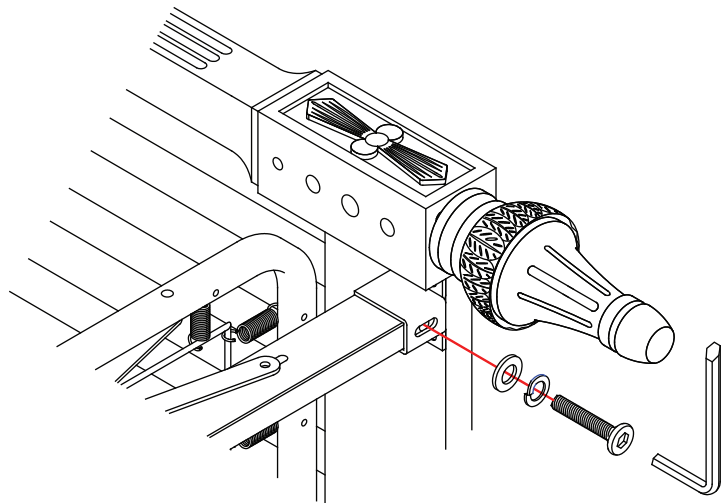
NOTE:

- Slightly loosen the bolt at the back of the Headboard that enough to set the Toddler Rail in-between End Rail Panels

DETAIL A



DETAIL B



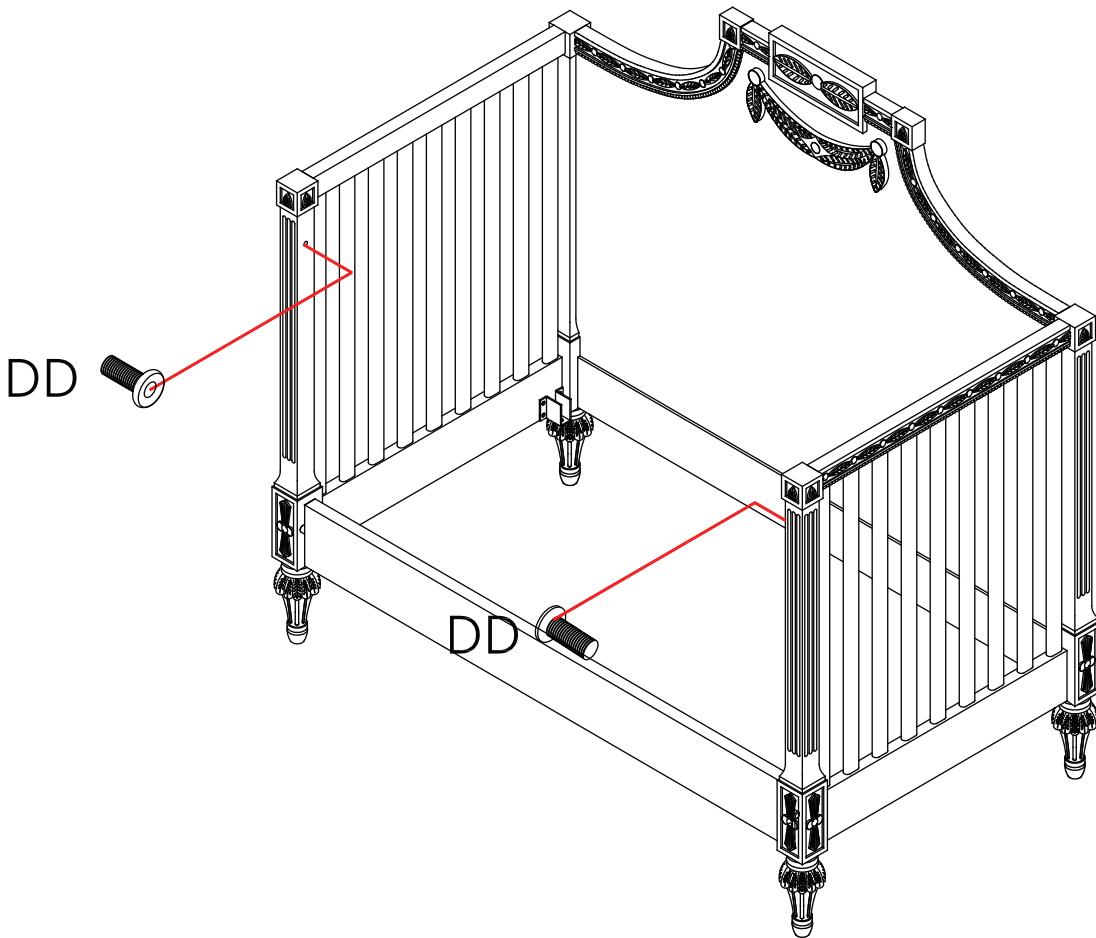
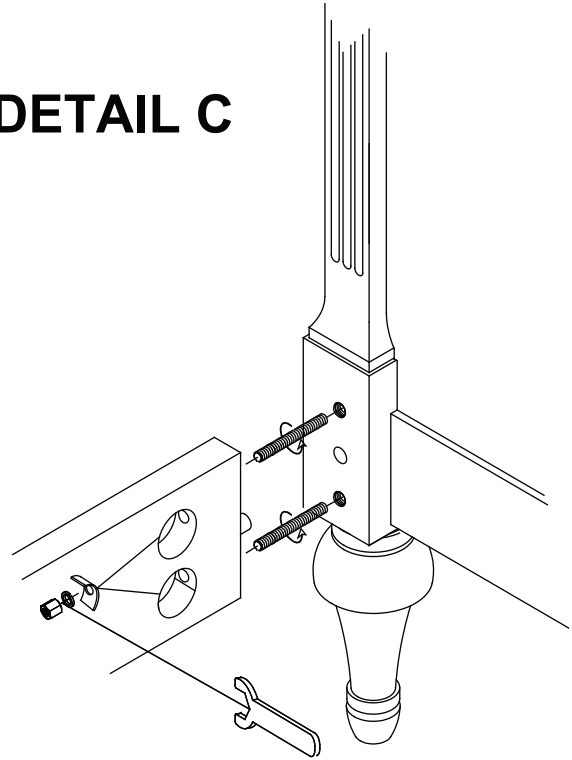
**STEP #5
TODDLER RAIL ASSEMBLY**

STEP #5.1:

On inside face of both End Rail Panels are holes with insert nut pre-installed and holes for the wooden dowels to pass through which corresponds to the holes on both ends of the Toddler Rail and pre-installed wooden dowel. Fasten the Threaded Rod manually into the insert nut on both End Rail Panels. Insert the wooden dowels of the Toddler Rail into the hole of both End Rail Panels as well as the Threaded Rod of End Rail Panels into the holes of the toddler Rail. Insert Curved Washer, Lock Washer and engage Hexagonal Nut. Tighten all the nuts with Wrench provided. Please see DETAIL C .

NOTE: Fill the holes located on top of both End Rail Panel with Allen Head Bolt (DD) provided.

DETAIL C



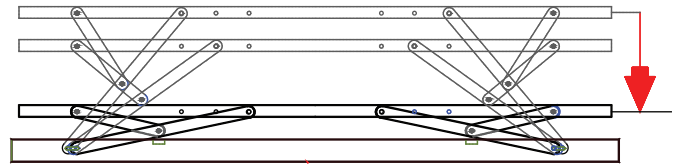
STEP #3
MATTRESS SUPPORT HEIGHT ADJUSTMENT

NOTE: If Mattress Supports is not in the lowest position.

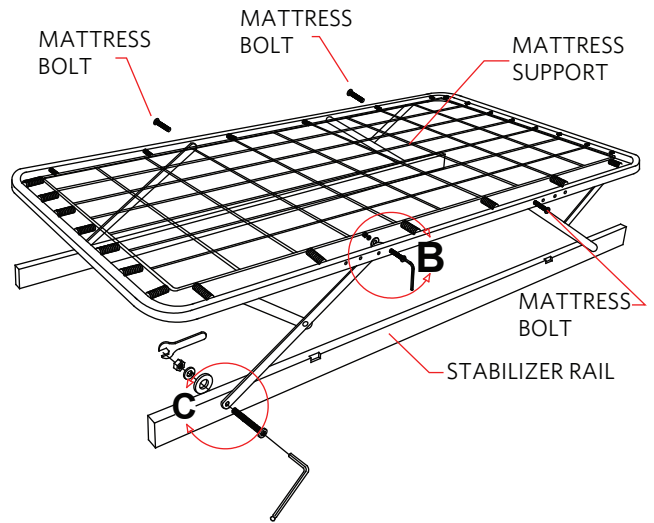
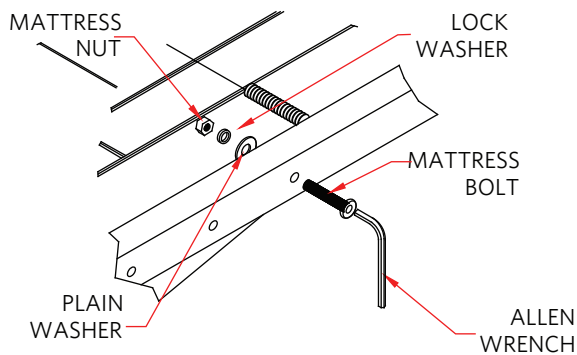
STEP #3.1
 loosen and remove all hardware (BB) on both sides of the frame of Mattress Support.

STEP #3.2
 Re-install the bolt on the third hole of the frame through the hole on the arm support. Fasten the bolt with Plain Washers, Lock Washers & Hexagonal Nut. Repeat procedure on the other arms of the Mattress Support. Please see **DETAIL D & DETAIL E**

DETAIL D

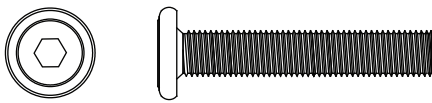


DETAIL E

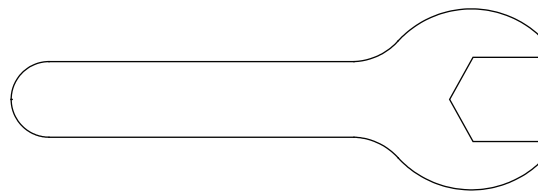


HARDWARE

(BB) 1-3/8" x 1/4" Ø Mattress Bolt (x8 pieces)



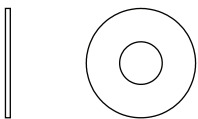
OPEN WRENCH



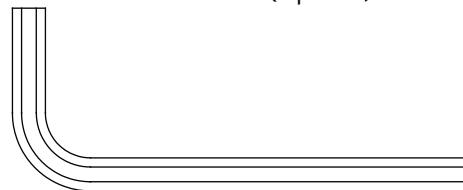
(BB) Mattress Nut (x8 pieces)



(BB) Plain Washer (x8 pieces)



Allen Wrench (1 piece)



(BB) Lock Washer (x8 pieces)



STEP #4
INSTALLATION OF STABILIZER RAILS
INTO THE SIDE PANEL.

DETAIL D

STEP #4.1

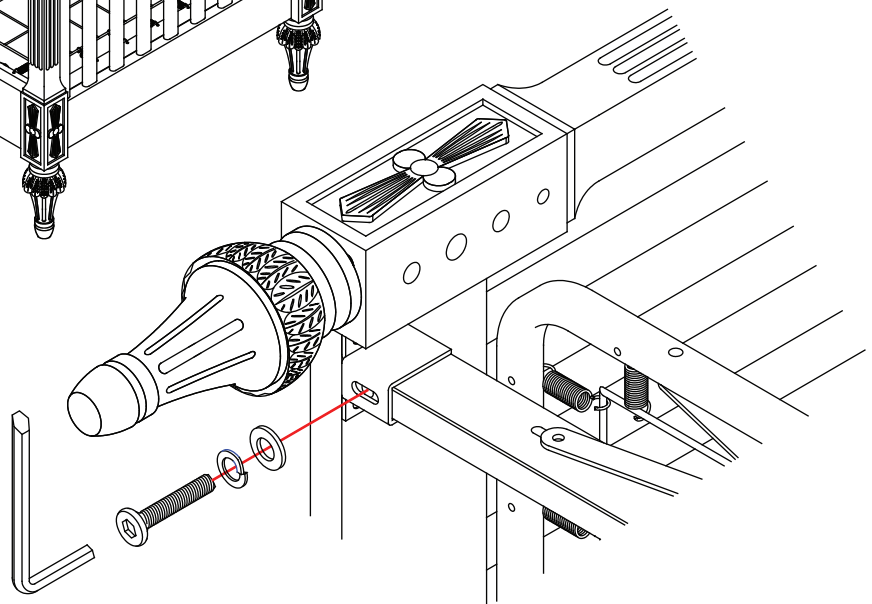
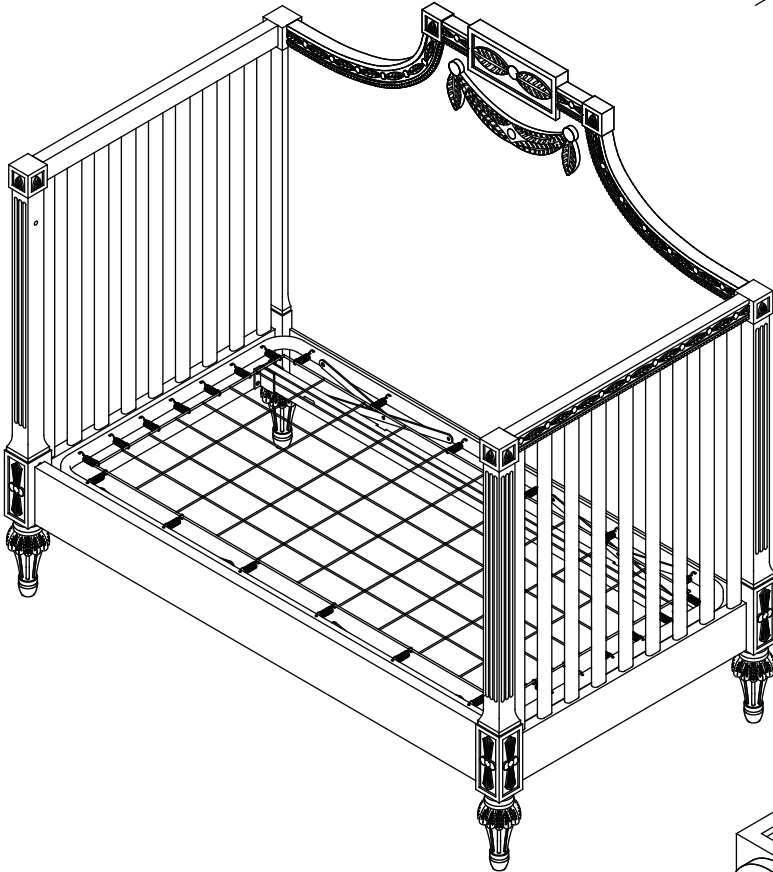
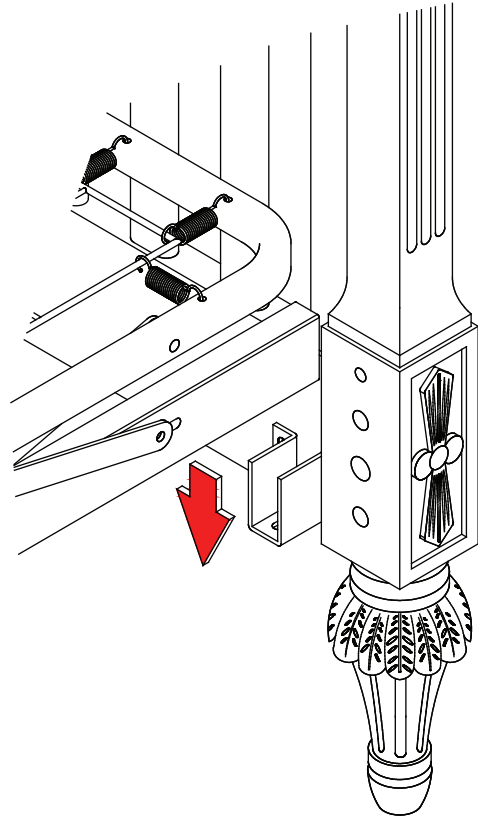
On inside face of both side rail panels are pre-installed metal brackets, designed to hold the Stabilizer Rails. Set both ends of the Stabilizer Rails into brackets as illustrated in DETAIL D.

STEP #4.2

Once the Stabilizer Rails are set, gently tilt the Toddler Bed and fasten the Stabilizer Rails with bolt together with Plain Washer and Lock Washer.

NOTE

After assembly, re-tighten all bolts to a snug fit.



Thank you for your purchase
www.rhbabyandchild.com