

# RH TEEN

## CALLUM PLATFORM BED

### PARTS INCLUDED:

- A [1] HEADBOARD
- B [1] FOOTBOARD
- C [2] SIDE RAILS
- D [1] SLAT ROLL

### TOOLS NEEDED:

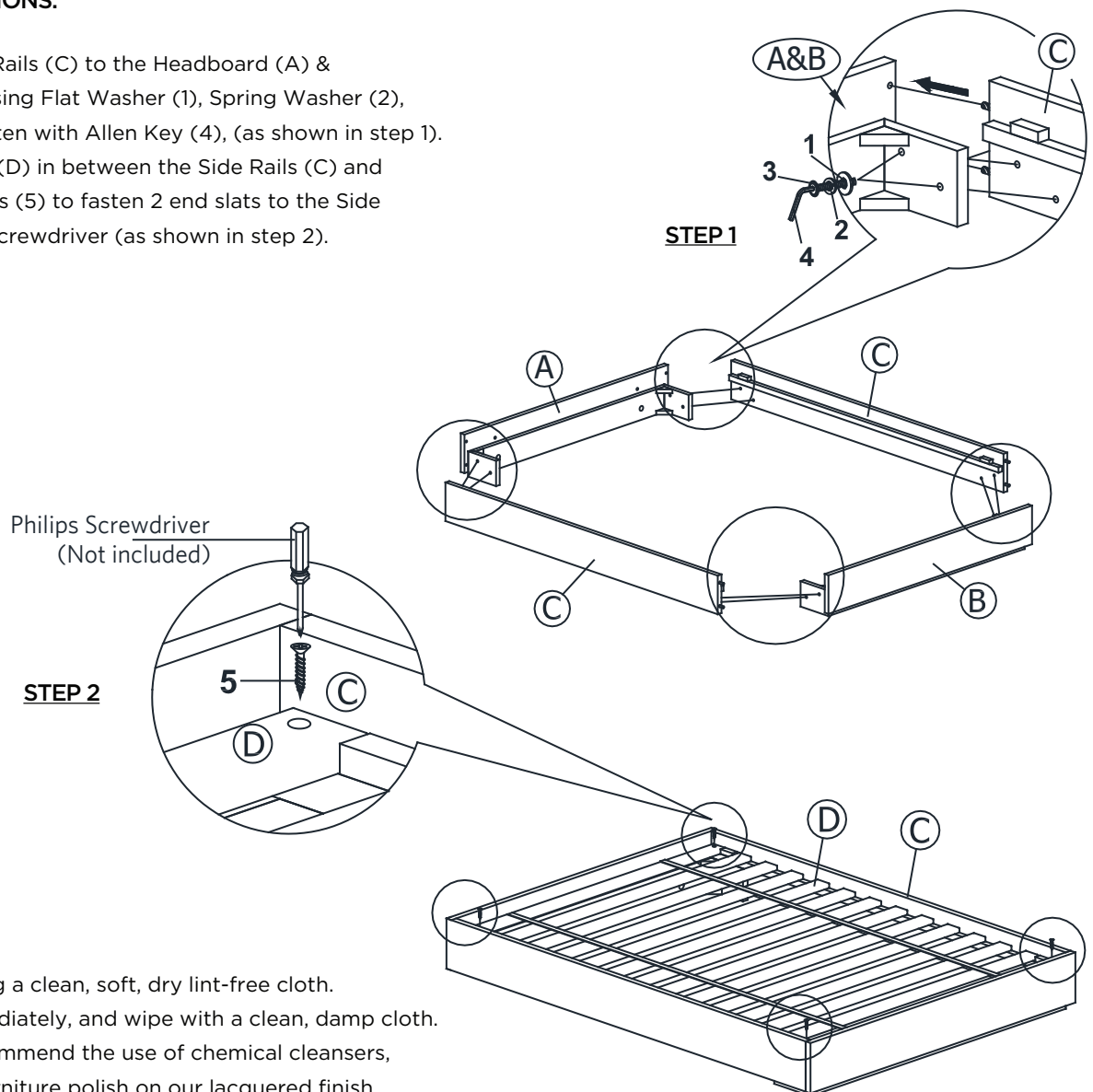
Phillips Head Screwdriver  
(Not included)



NO.	ITEM	DESCRIPTION	QTY.
1		Flat Washer 5/16"	8pcs.
2		Spring Washer 5/16"	8pcs.
3		Bolt 5/16"x1-3/4"	8pcs.
4		Allen Key 4mm	1pc.
5		Wood Screw 8x30mm	4pcs.

### ASSEMBLY INSTRUCTIONS:

1. Attach the Side Rails (C) to the Headboard (A) & Footboard (B) using Flat Washer (1), Spring Washer (2), Bolt (3) and tighten with Allen Key (4), (as shown in step 1).
2. Lay the Slat Roll (D) in between the Side Rails (C) and use Wood Screws (5) to fasten 2 end slats to the Side Rails (C) with a screwdriver (as shown in step 2).



### CARE INSTRUCTIONS:

1. Dust often using a clean, soft, dry lint-free cloth.
2. Blot spills immediately, and wipe with a clean, damp cloth.
3. We do not recommend the use of chemical cleansers, abrasives, or furniture polish on our lacquered finish.