






RH TEEN

CALLUM FLOATING NIGHTSTAND BED

PARTS INCLUDED:

- A [1] HEADBOARD
- B [1] HEADBOARD BASE
- C [1] FOOTBOARD
- D [2] SIDE RAILS
- E [1] SLAT ROLL
- F [2] NIGHTSTAND

NO.	ITEM	DESCRIPTION	QTY.
1		Flat Washer 5/16"	16pcs.
2		Spring Washer 5/16"	16pcs.
3		Bolt 5/16"x1-3/4"	16pcs.
4		Allen Key 4mm	1pc.
5		Wood Screw 8x30mm	4pcs.

TOOLS NEEDED:

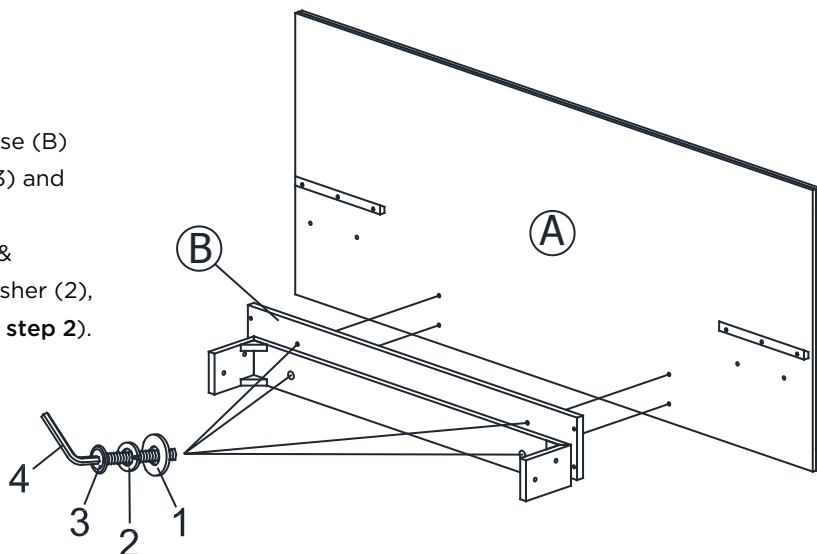
Phillips Head Screwdriver
(Not included)



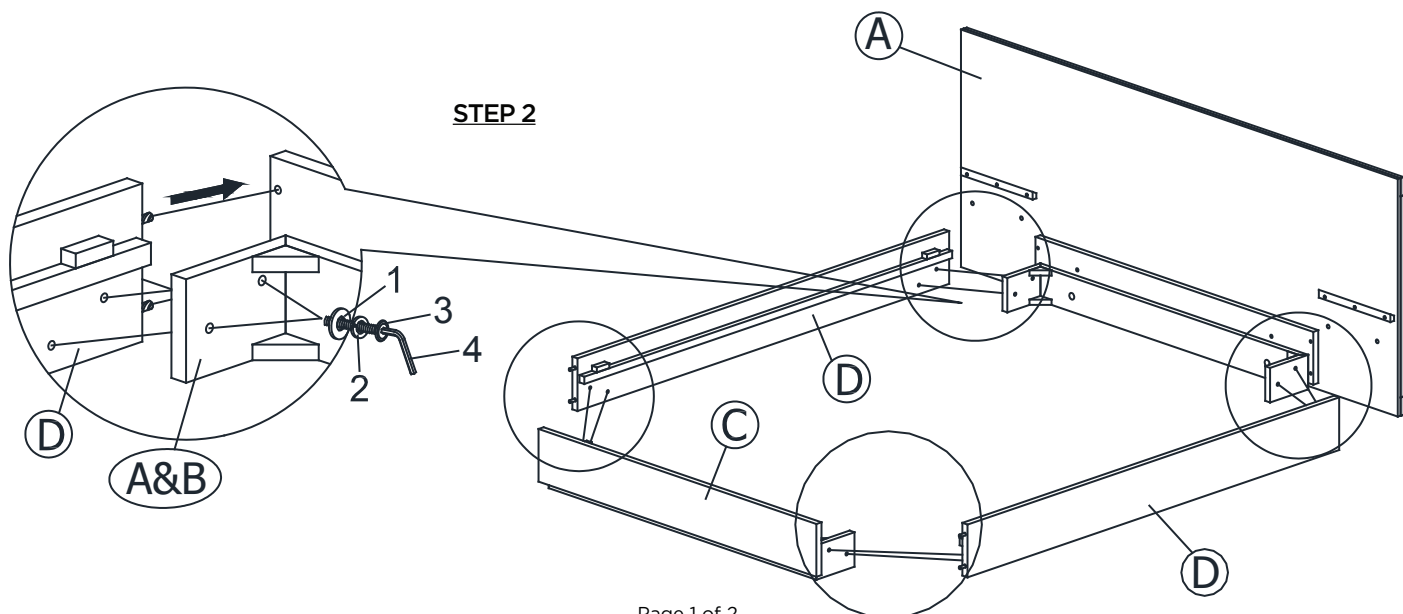
ASSEMBLY INSTRUCTIONS:

1. Attach the Headboard (A) to the Headboard Base (B) using Flat Washer (1), Spring Washer (2), Bolt (3) and Allen Key (4), and tighten (as shown in step 1).
2. Attach the Side Rails (D) to the Headboard (A) & Footboard (C) using Flat Washer (1), Spring Washer (2), Bolt (3), Allen Key (4), and tighten (as shown in step 2).

STEP 1

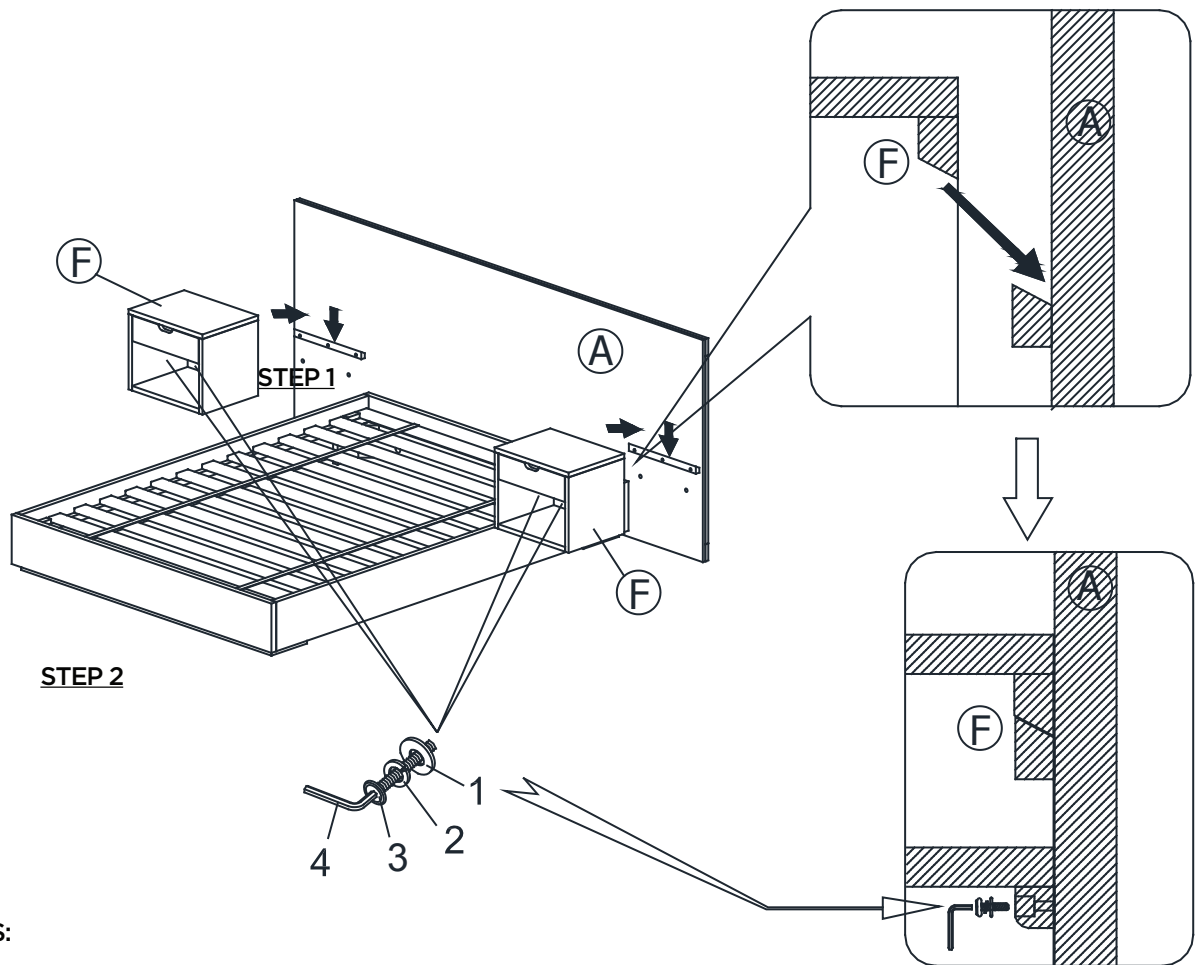
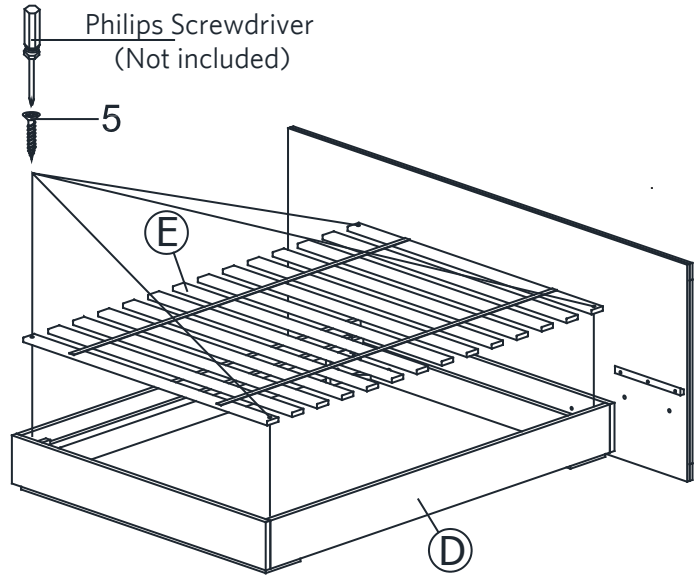


STEP 2



CALLUM FLOATING NIGHTSTAND BED

3. Lay the Slat Roll (E) in between the Side Rails (D) and use Wood Screws (5) to fasten 2 end slats to the side rails with a screwdriver, (as shown in step 3).
4. Attach the Nightstands (F) to the Headboard (A) securely. Insert Flat Washer (1), Spring Washer (2), Bolt (3) into the holes in the Nightstands (F) and tighten using Allen Key (4), (as shown in step 4).



CARE INSTRUCTIONS:

1. Dust often using a clean, soft, dry lint-free cloth.
2. Blot spills immediately, and wipe with a clean, damp cloth.
3. We do not recommend the use of chemical cleansers, abrasives, or furniture polish on our lacquered finish.