

**HAYLAN WRITING DESK & MIRROR HUTCH**

**⚠WARNING:** ADULT ASSEMBLY ONLY OWING TO THE PRESENCE OF SMALL PARTS, SHARP POINTS AND EDGES

Customer Service - If you are missing parts or have any questions about this product, please contact us at : 1-800-762-1751

**PART LIST**

- A. [1] HAYLAN WRITING DESK
- B. [1] HUTCH
- C. [1] MIRROR
- D. [2] WOODEN SUPPORT

**HARDWARE LIST**

- 1. [10] ALLEN HEAD BOLT
- 2. [10] PLAIN WASHER
- 3. [10] LOCK WASHER
- 4. [1] ALLEN WRENCH

**INSTRUCTIONS:**

**STEP #1:**

Move the writing desk (A) away from the wall so you can easily fit behind and work freely with no interference.

**NOTE:**

At the back the writing desk (A), hutch (B) and Mirror (C) are holes with pre-installed nuts that correspond the holes to the wooden support.

**STEP #2:**

Set the hutch (B) on top of the desk (A) and make sure the hutch (B) is centered correctly as in figure 01. Secure the wooden support (D) to the back of the writing desk (A) and to the back of the hutch (B) with Allen head bolts (1) together with plain washers (2) and lock washers (3) provided as in figure 02.

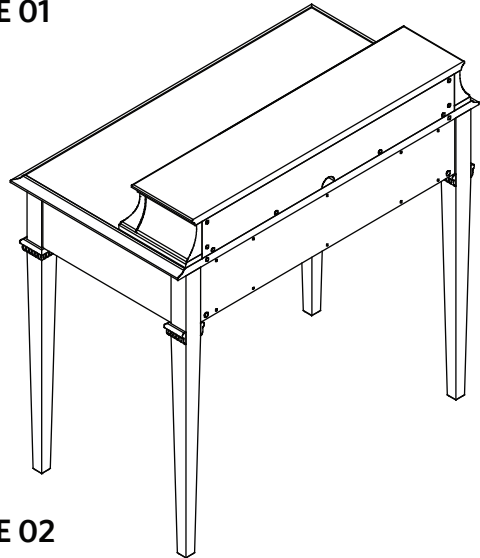
**STEP #3:**

Install the mirror (C) on top of the hutch (B) using Allen Head bolts (1) with plain washers (2) and lack washers (3) provided

**CARE INSTRUCTIONS:**

- Dust often using a clean, soft, dry lint-free cloth.
- Blot spills immediately, and wipe with a clean, damp, cloth.
- We do not recommend the use of chemical cleansers, abrasives, or furniture polish on our lacquered finish.

**FIGURE 01**



**FIGURE 02**

