

HAYLAN WRITING DESK



WARNING: ADULT ASSEMBLY ONLY OWING TO THE PRESENCE OF SMALL PARTS, SHARP POINTS AND EDGES

Customer Service- If you are missing parts or have any questions about this product, please contact us at : 1-800-762-1751

CARE INSTRUCTIONS:

- Dust often using a clean, soft, dry lint-free cloth.
- Blot spills immediately, and wipe with a clean, damp cloth.
- We do not recommend the use of chemical cleansers, abrasives, or furniture polish on our lacquered finish.

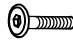



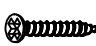
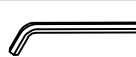
PARTS LIST

- A [1] DESK TOP
- B [1] LEFT LEG PANEL
- C [1] RIGHT LEG PANEL
- D [1] BACK PANEL

TOOLS NEEDED

- Allen Key 4mm
- Phillips head screwdriver (not provided)

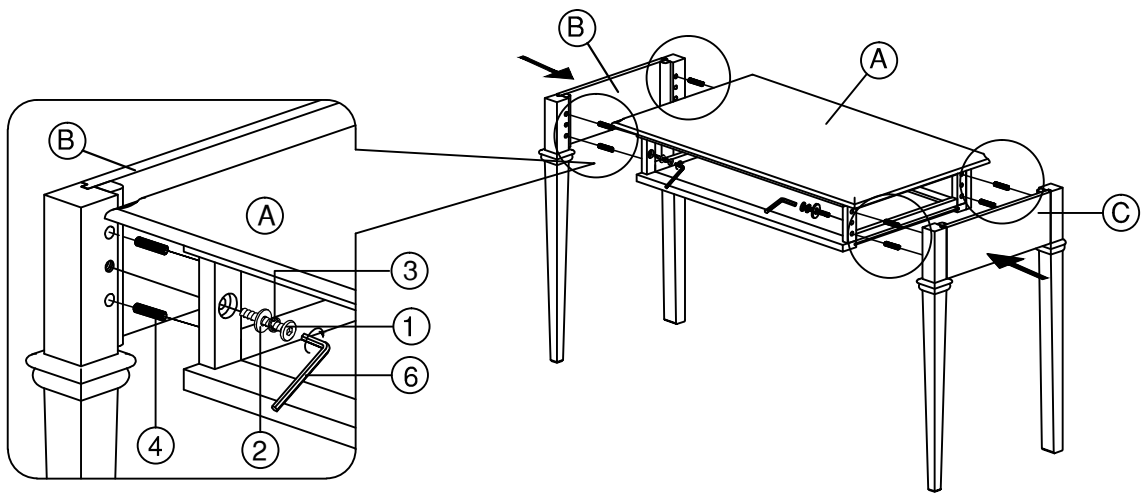
HARDWARE INCLUDED:

NO	DESCRIPTION		Q'TY
1	Long Bolt Ø5/16" x 1-1/2"		4 pcs
2	Flat Washer Ø5/16" x 19mm		4 pcs
3	Lock Washer Ø5/16" x 13mm		4 pcs
4	Wood Plug Ø8 x 35mm		8 pcs
5	Wood Screw Ø8 x 30mm		6 pcs
6	Allen Key 4mm		1 pc

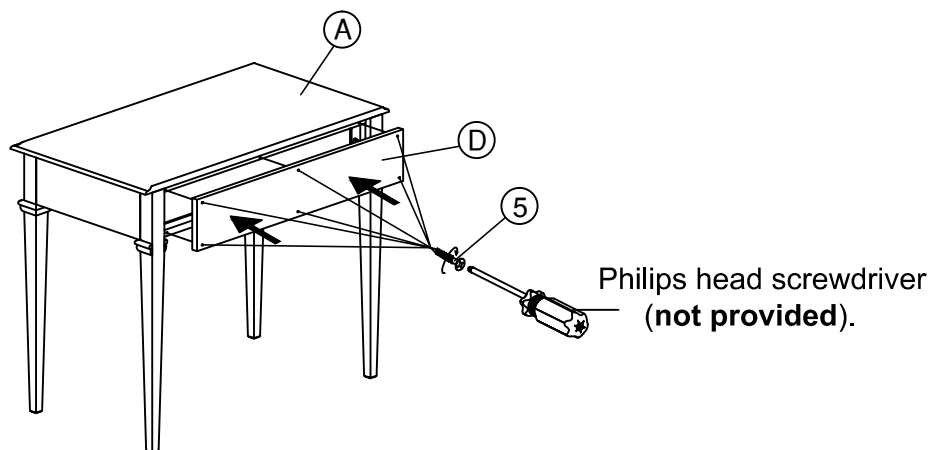
ASSEMBLY INSTRUCTION

Note: Haylan Desk can be assembled by one person rather easily, but if two people are available it is a bit easier and the operation will require less preparation. The instructions are written assuming one person is assembling the Writing desk.

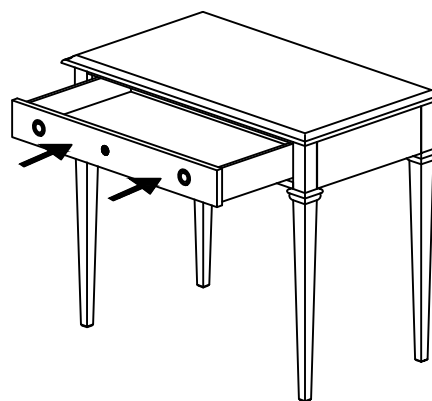
Step 1. Put the 8 Wood Plugs [4] in the holes of Left Leg Panel [B] and Right Leg Panel [C]. Attach the leg panels to the Desk Top [A] using the Bolt [1], Lock Washer [2], Flat Washer [3], and tighten with Allen Key [6].



Step 2. Attach Back Panel [D] to back of the Desk Top [A] with 6 Wood Screws [5].



Step 3. Insert the drawer into place.



FURNITURE TIPPING RESTRAINT

Young children may be injured by tipping furniture and the use of a tipping restraint is highly recommended. When properly installed, this restraint could provide protection against the unexpected tipping of furniture due to small tremors, bumps or climbing. We recommend mounting this restraint to a wall stud.

WARNING: This product is only a deterrent. It is not a substitute for proper adult supervision.

HARDWARE LIST

(4) Plastic brackets



(4) Phillip screws M4x20mm 

(2) Restraint straps



(4) Plastic anchors

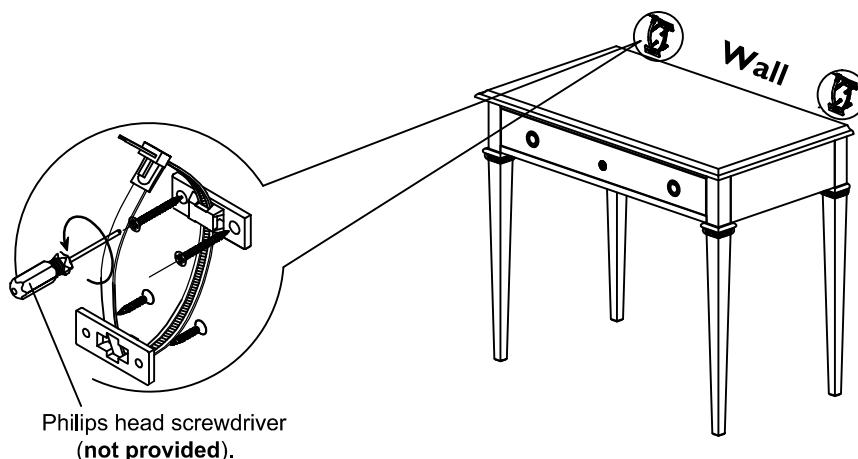


(4) Phillip screws M4x30mm



ASSEMBLY INSTRUCTIONS:

1. Attach one set of the mounting brackets near the top back edge of the furniture piece by inserting the shorter screws.
2. Determine the final position of the furniture piece. Mark locations on the wall approximately 2" below the brackets mounted to the back of the furniture.
3. Drill starter holes into the wall stud. If wall stud is not available, drill holes into the wall and insert plastic anchors. Gently tap the anchors until the flange of the anchors is flush with the wall.
4. Attach the second set of brackets by inserting the longer screws through the brackets and into the wall.
5. Place the furniture so the brackets on the back edge are in line with the brackets in the wall.
6. Lace one end of the nylon restraint straps down through each bracket. Bring both ends together and slide the beaded ends until it snap locks into the keyhole slot.
7. To double lock; return the beaded ends back through the keyholes as shown.
8. Check to make sure the straps are securely laced and locked to the brackets.



Thank you for your purchase
www.rhbabyandchild.com