






## BELLINA STUDY WALL

### FURNITURE TIPPING RESTRAINT INSTRUCTIONS

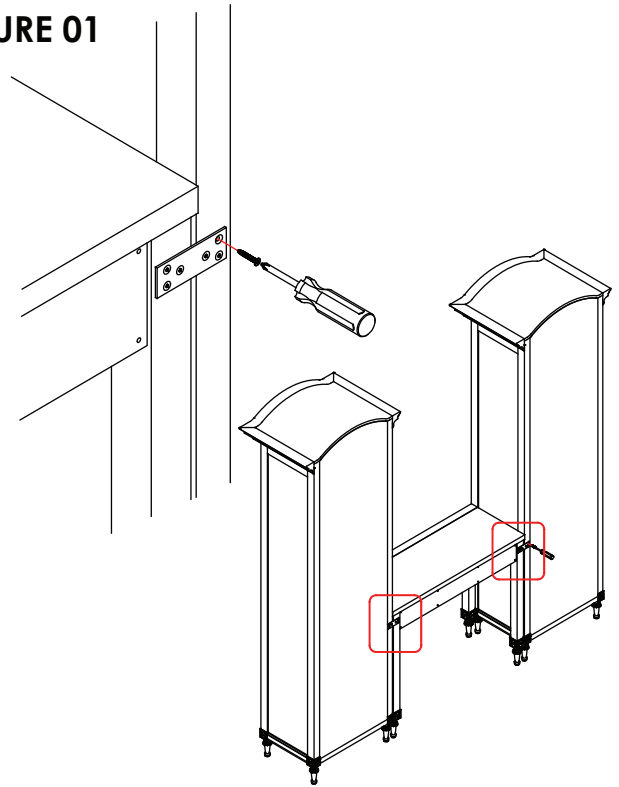
Young children may be injured by tipping furniture and the use of a tipping restraint is highly recommended. When properly installed, this restraint could provide protection against the unexpected tipping of furniture due to small tremors, bumps or climbing. We recommend mounting this restraint to a wall stud.

**WARNING:** This product is only a deterrent. It is not a substitute for proper adult supervision.

#### PART LIST

A	[4] PLASTIC BRACKET	
B	[2] RESTRAINT STRAP	
C	[4] PHILLIPS SCREWS 30mm	
D	[4] PHILLIPS SCREWS 20mm	
E	[4] PLASTIC ANCHOR	
F	[2] METAL BRACKET	
G	[12] PHILLIPS WOOD SCREWS 20mm	

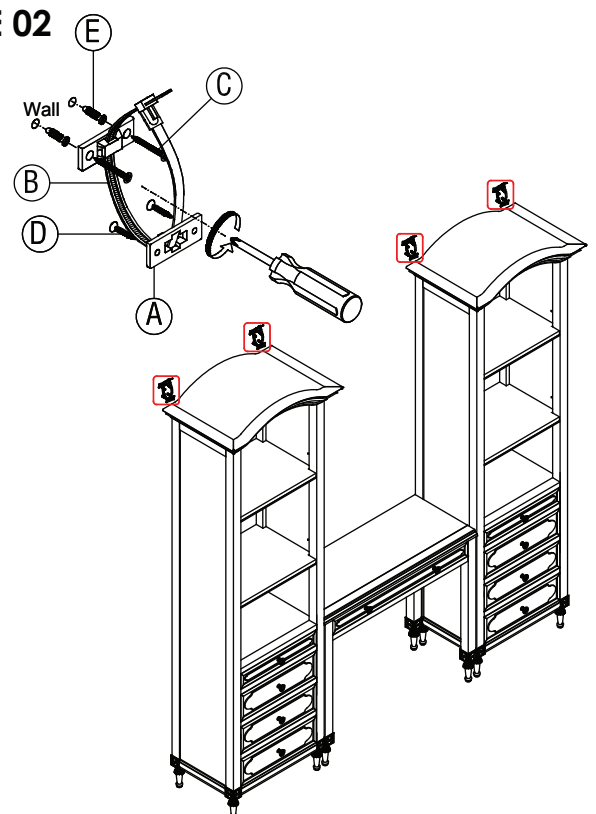
**FIGURE 01**



#### INSTALLATION INSTRUCTIONS

1. Place Bellina Tower Bookcases and Bellina Writing Desk together as close to final location as possible. Attach Bookcases to Desk using Metal Brackets (F) and Phillips Wood Screws (G) as illustrated in FIGURE 01.
2. Attach two of the Plastic Brackets (A) near the top back edge of the furniture piece by inserting the shorter screws (D).
3. Determine the final position of the furniture piece. Mark locations on the wall approximately 2" below the brackets mounted to the back of the furniture.
4. Drill a shorter hole into the wall stud. If wall stud is not available, drill a hole into the wall and insert Plastic Anchor (E). Gently tap the Anchor until the flange is flush with the wall.
5. Attach the second set of brackets (A) by inserting the longer screw (C) through the bracket and into the wall.
6. Carefully move the Study Wall backward within 1.5" to 2" from the wall.
7. Place the furniture so that the brackets on the back edge are in line with the brackets in the wall.
8. Lace one end of the nylon restraint strap (B) down through each bracket. Bring both ends together and slide the beaded end until it snap locks into the keyhole slot.
9. To double lock; return the beaded end back through the keyholes as shown in **FIGURE 02**.
10. Check to make sure the straps are securely laced and locked to the brackets.

**FIGURE 02**



#### CARE INSTRUCTIONS:

- Dust often using a clean, soft, dry lint-free cloth.
- Blot spills immediately and wipe with a clean, damp, cloth.
- We do not recommend the use of chemical cleansers, abrasives, or furniture polish on our lacquered finish.