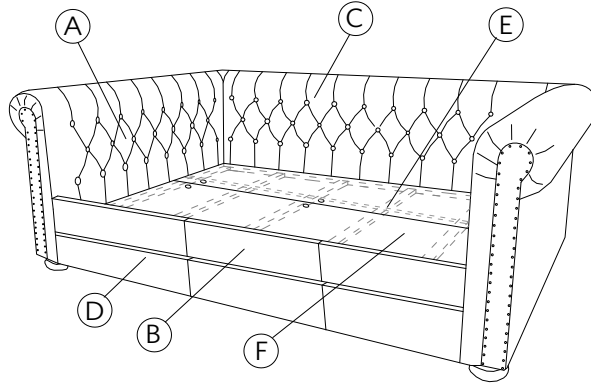




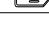


**CHESTERFIELD DAYBED FULL W/TRUNDLE**

**PARTS INCLUDED**

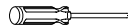
- A [2] Side Panel
- B [1] Front Panel
- C [1] Headboard
- D [1] Trundle
- E [4] Slats
- F [2] Platform Panels
- G [1] Center Support Slat



NO.		DESCRIPTION	Qty
1		Allen Key	1 pieces
2		Allen Head Bolt(0.6cm Dia)	2 Pieces
3		Allen Head Bolt(0.8cm Dia)	2 Pieces
4		Screw(3cm)	8 Pieces
5		L-Shaped Bracket	2 Pieces

**TOOLS NEEDED:**

Phillips Screwdriver (not included)



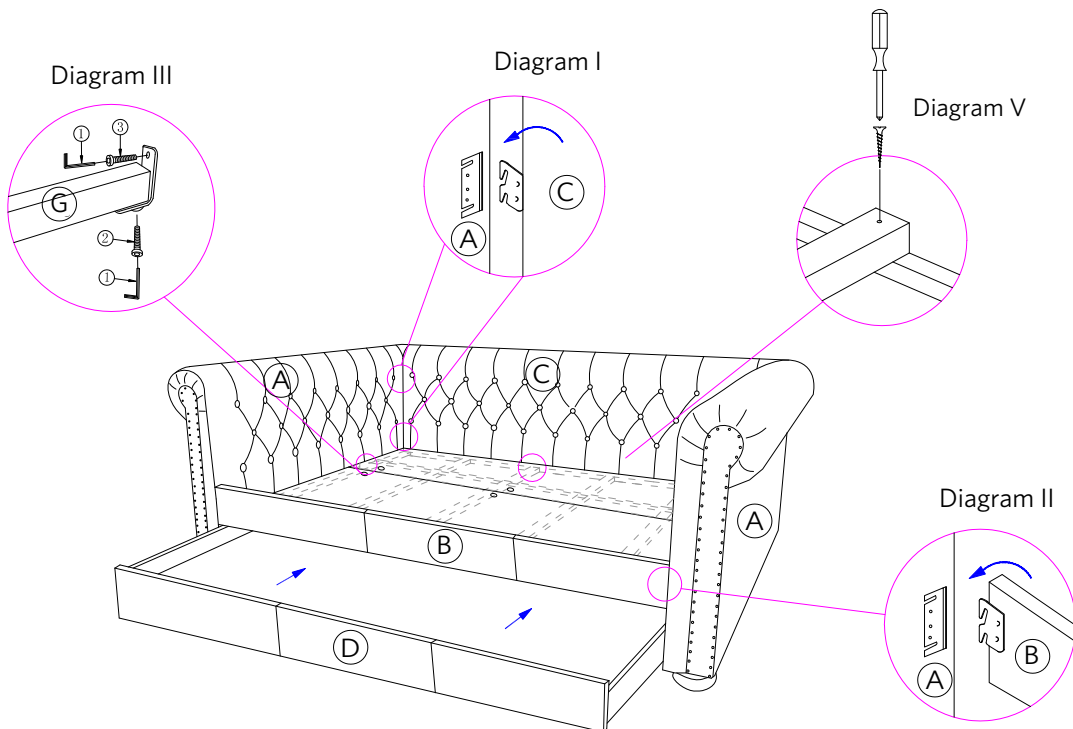
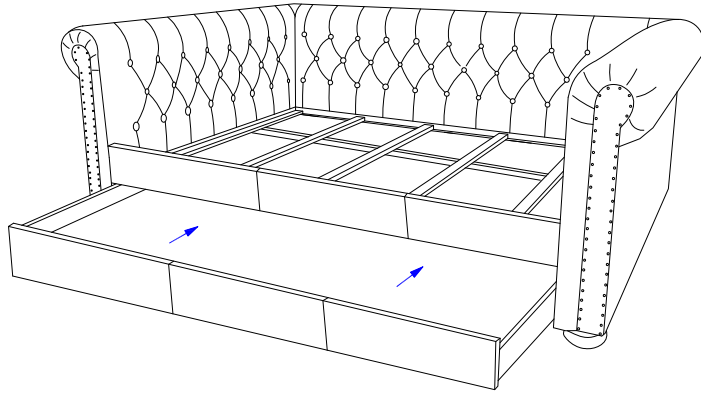
**ASSEMBLY INSTRUCTIONS**

Bed must be assembled by at least two people.  
 Please read instructions carefully before assembling bed.  
 Use the above parts and hardware list to identify each each component.  
 Keep all packing materials until assembly is complete to avoid loss of smaller parts.

1. Stand the Headboard (C) upright and hook Side Panels (A) into Headboard (C) as shown in the Diagram I.
2. Repeat the procedure with the Front Panel (B) as shown in Diagram II.
3. Attach the L-Shaped Brackets(5) onto the ends of Center Support Slat (C), and tighten with Allen Head Bolt (2) & Allen Key (1). Attach the L-Shaped Brackets (5) onto the Headboard(C) and tighten with Allen Head Bolt (3) & Allen Key (1),as shown in Diagram III
4. Place the Slat (E) into the cleats on the inside of the Headboard (C) and Footboard (B). Screw the ends of the Slats (E) to the cleats using Screws (4), as shown in Diagram V.
5. Lay the Platform Panels (F) flat on top of the Slats (E).
6. Push the Trundle (D) into the Daybed frame, making sure the Trundle (D) front panel is flush with the Daybed Front Panel (B).

## CARE INSTRUCTIONS

Spot clean only with a soft, damp cloth.



*Thank you for your purchase*  
[www.rhbabyandchild.com](http://www.rhbabyandchild.com)