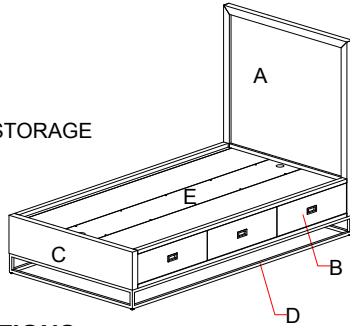


RH BABY & CHILD

AVALON TWIN STORAGE BED - ASSEMBLY INSTRUCTIONS

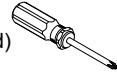
PARTS INCLUDED

- A [1] HEADBOARD
- B [2] STORAGE RAILS AND BED STORAGE
- C [1] FOOTBOARD
- D [1] BASE
- E [1] COVER PANEL



TOOLS NEEDED

Phillips-head Screwdriver (not included)



HARDWARE INCLUDED

NO.	SKETCH	DESCRIPTION	SPECIFICATION	QTY.
1		Allen Bolt	M8 x 30mm	6 pcs.
2		Allen Bolt	M8 x 40mm	16 pcs.
3		Lock Washer	Ø14 x Ø9 x 2mm	22 pcs.
4		Flat Washer	Ø19 x Ø9 x 2mm	22 pcs.
5		Allen Wrench	57 x 23 x D4mm	1 pc.
6		Round-head Screw	M4 x 25mm	10 pcs.

IMPORTANT SAFETY INSTRUCTIONS

1. Please read all instructions carefully before assembling.
2. For your safety, assembly by two or more adults is strongly recommended.
3. Keep instructions for future use.
4. Use only vendor-supplied hardware to assemble. Using unauthorized hardware could jeopardize the structural integrity of the item.

ASSEMBLY INSTRUCTIONS

1. Remove all drawers from the storage rails (B) as illustrated in FIGURE 1.
2. Set the bed storage (B) on the base (D). Align and attach the bed storage (B) to the base (D) by using the Allen bolt (1), lock washer (3), flat washer (4) and Allen wrench (5), as illustrated in FIGURE 2.
3. Repeat the above procedure with the storage rails (B) to attach them to the base (D).

FIGURE 1

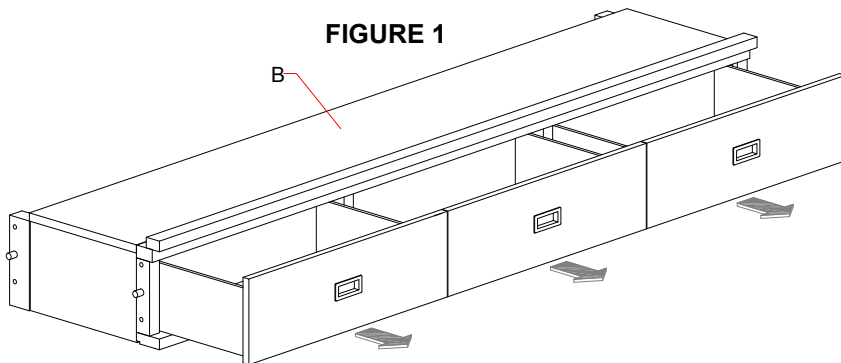
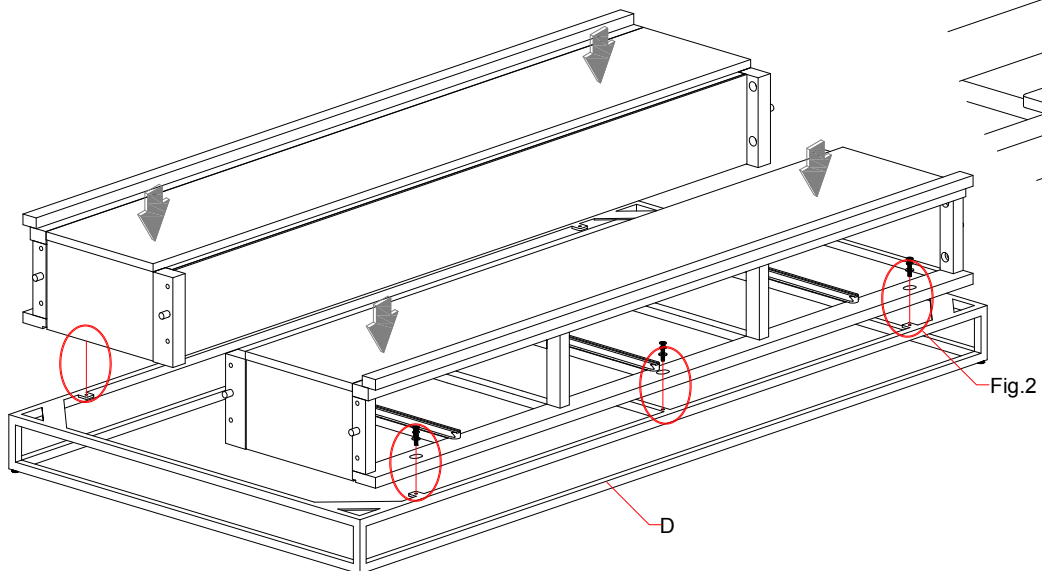
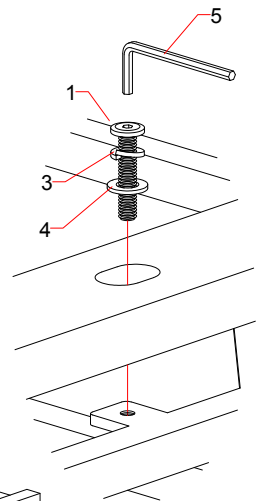


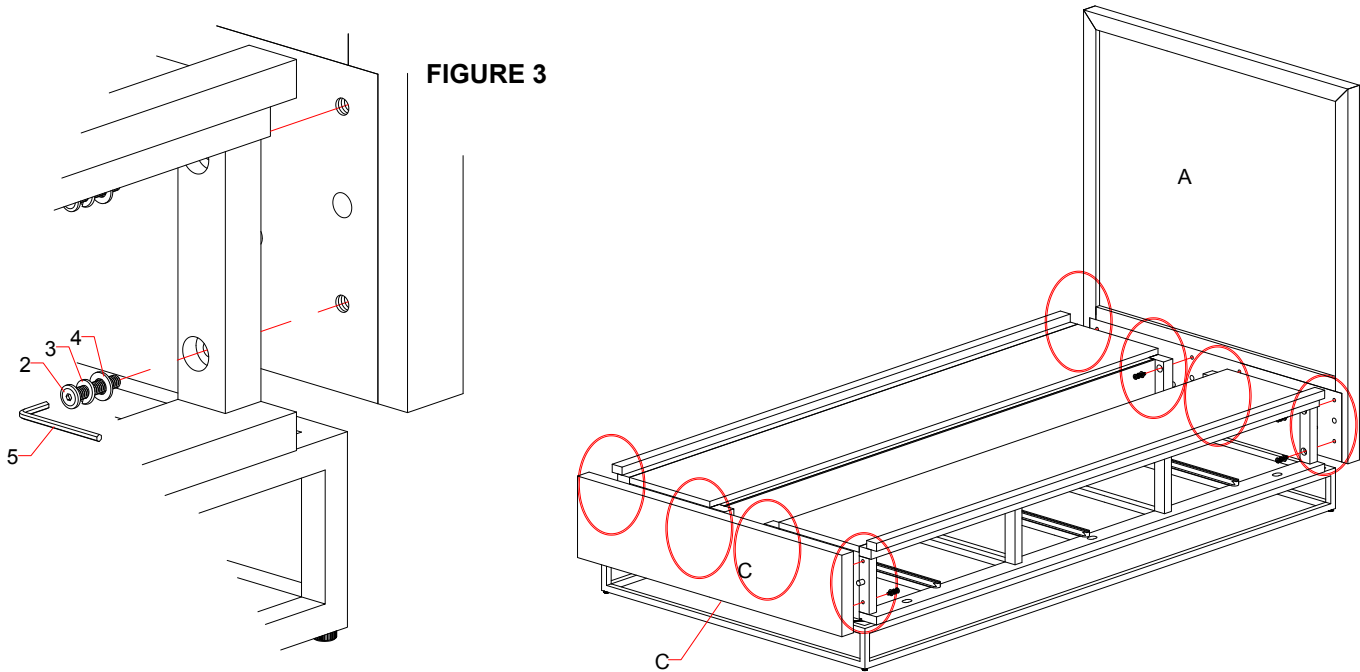
FIGURE 2



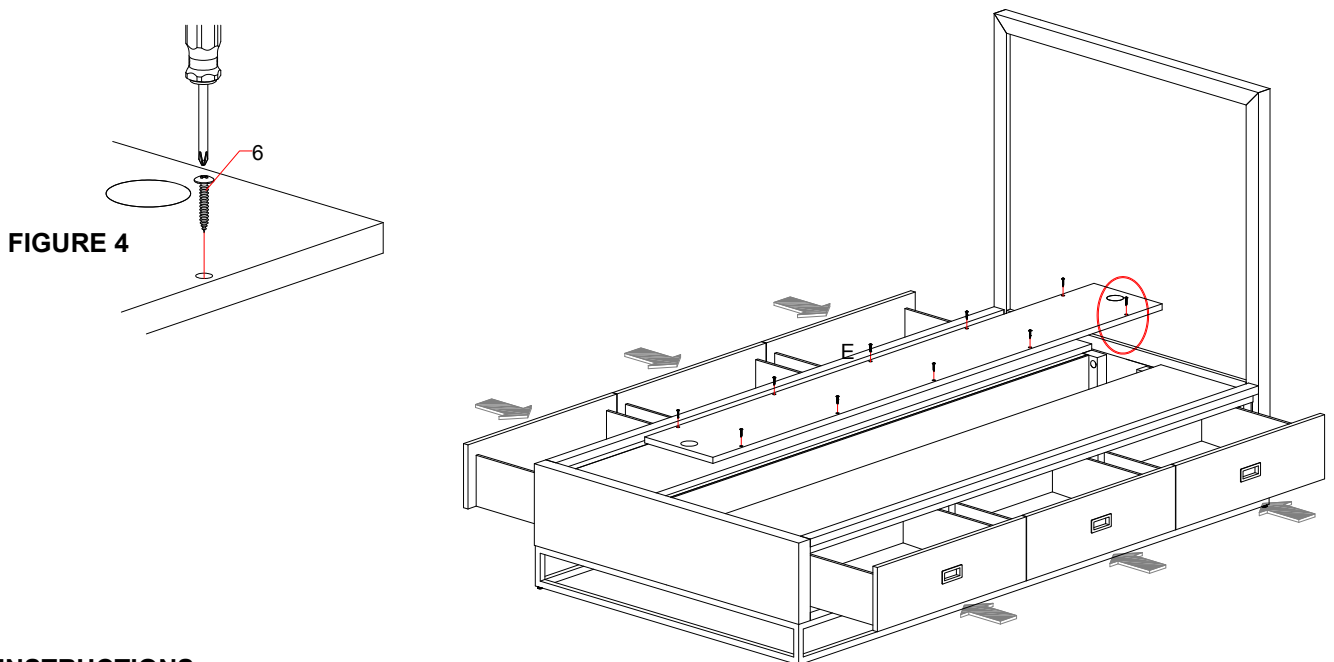
RH BABY & CHILD

AVALON TWIN STORAGE BED - ASSEMBLY INSTRUCTIONS

4. Attach the bed storage with base to the headboard (A) by using the Allen bolt (2), lock washer (3), flat washer (4) and Allen wrench (5), as illustrated in FIGURE 3.
5. Repeat to connect storage rails with base to the footboard (C).



6. Re-insert all the drawers into the bed storage (B). Place the cover panel (E) on the storage rails (B) and affix it with the screws (6) provided. See FIGURE 4.



CARE INSTRUCTIONS

1. Dust often using a clean, soft, dry and lint-free cloth.
2. Blot spills immediately and wipe with a clean, damp cloth.
3. Do not use chemical cleaners, abrasives or furniture polish, as they may damage the finish.