

RHBABY&CHILD

BABY AVALON CRIB INSTRUCTIONS

All Restoration Hardware cribs are designed to meet the highest safety standards and comply with all U.S. and Canadian cribs and cradles regulations.

Made in Vietnam

Distributed in the U.S.A. by:

Restoration Hardware Baby & Child

2900 North Macarthur Dr. Tracy,

CA95376, USA

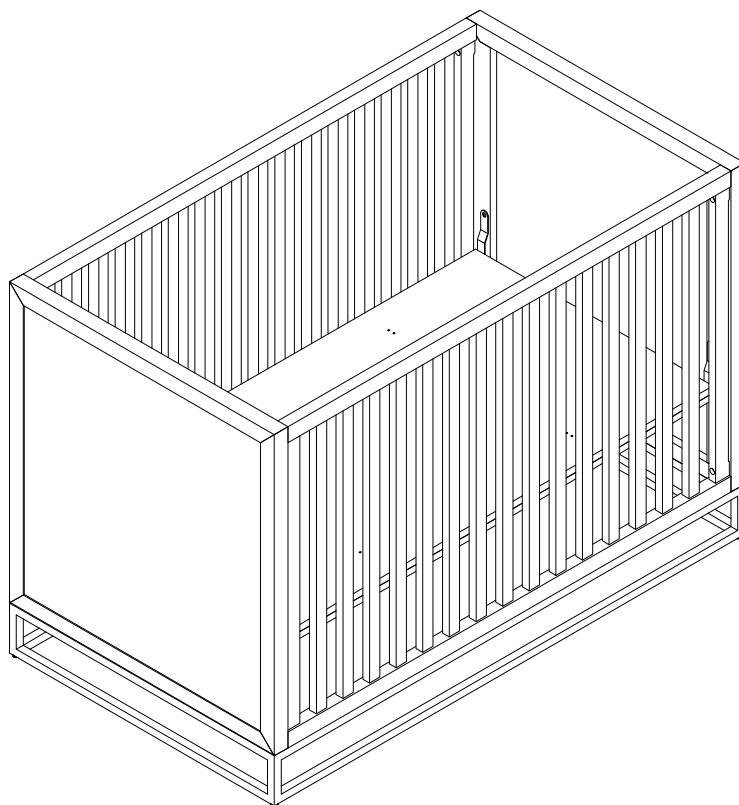
www.rhbabyandchild.com

Distributed in Canada by:

Restoration Hardware Canada, Inc.

1500-1055 West Georgia Street

Vancouver, British Columbia V6E4N7



WARNING: Read all instructions before assembling this product. **KEEP INSTRUCTIONS FOR FUTURE USE.**

CUSTOMER SERVICE

If you are missing parts or have any questions about this product, contact us first. You can also order parts by writing to the address above. Include the product model number, color, and a brief description of the part. Call 1-800-762-1751.

CARE AND CLEANING

DO NOT scratch or chip the finish. **DO NOT** use abrasive chemicals for cleaning. Dust often using a clean, soft, dry cloth.

Blot spills immediately and wipe with a clean damp cloth. If the crib is to be stored, store in a cool dry place and carefully package all original hardware to protect from loss.

TOOLS AND INSTALLATION

Tools Necessary: Allen Key (included)

NOTE: It may be easier to assemble product with two people.

NOTE: When inserting bolts, turn clockwise until tight. Then loosen $\frac{1}{2}$ - $\frac{3}{4}$ of a turn. After crib is completely assembled, return to each bolt and tighten. Use wax or soap on all bolts to facilitate assembly

IMPORTANT SAFETY INFORMATION FOR CRIBS



WARNING: Infants can suffocate on soft bedding. Never add a pillow or comforter. Never place additional padding under an infant.



WARNING: Failure to follow these warnings and the assembly instructions could result in serious injury or death.

- To reduce the risk of SIDS, pediatricians recommend healthy infants to be placed on their backs to sleep, unless otherwise approved by your physician.

Strangulation Hazard:

- Strings can cause strangulation! **DO NOT** place items with a string around a child's neck, such as hood strings or pacifier cords. **DO NOT** suspend strings over a crib or attach strings to toys.
- To help prevent strangulation tighten all fasteners. A child can trap parts of the body or clothing on loose fasteners.
- **DO NOT** place crib near window where cords from blinds or drapes may strangle a child.

Fall Hazard:

- When a child is able to pull to a standing position, set mattress to lowest position and remove bumper pads, large toys and other objects that could serve as steps for climbing out.
- When child is able to climb out or reaches the height of 35 in (89 cm), the crib shall no longer be used, and the child should be placed in a youth or regular bed.
- Check this product for damaged hardware, loose joints, missing parts or sharp edges before and after assembly and frequently during use. Securely tighten loose bolts and other fasteners. **DO NOT** use crib if any parts are missing, damaged or broken. Contact customer service at 1-800-762-1751 for replacement parts and instructional literature if needed.
- **DO NOT** substitute parts.
- **DO NOT** use a water mattress with this crib.
- If refinishing, use a non-toxic finish specified for children's products.
- Follow warnings on all products in a crib.
- Never use plastic shopping bags or other plastic film as mattress covers because they can cause suffocation.
- Infants can suffocate in gaps between crib sides and a mattress that is too small.

IMPORTANT SAFETY INFORMATION FOR CRIBS

CAUTION: ANY MATTRESS USED IN THIS CRIB MUST BE AT LEAST 27-1/4 INCHES BY 51-5/8 INCHES WITH A THICKNESS NOT EXCEEDING 6 INCHES.



WARNING

Do not use this crib if you cannot exactly follow the instructions that come with it.

Do not use this crib for a child who can climb out of it or who is taller than 90 cm.

Do not place any cord, strap or similar item in or near this crib that could become wrapped around a child's neck.

Do not place this crib near a window or patio door where a child could reach the cord of a blind or curtain and be strangled.

Check this crib regularly before using it, and do not use it if any part is loose or missing or if there are any signs of damage. Do not substitute parts. Contact the manufacturer if replacement parts or additions instructions are needed.

Children can suffocate on soft bedding. Do not place pillows, comforters or soft mattresses in this crib.

Use a mattress that is no thicker than 15 cm and is of such a size that, when it is pushed firmly against any side of this crib, it does not leave a gap of more than 3 cm between the mattress and any part of any other side of the crib.

IMPORTANT SAFETY INFORMATION FOR TODDLER & DAY BEDS



WARNING: ENTRAPMENT / STRANGULATION HAZARD

Infants have died in toddler beds from entrapment and strangulation. Failure to follow these warnings and the assembly instructions could result in serious injury or death.

NEVER use bed with children under 15 months.

NEVER place bed near windows where cords from blinds or drapes may strangle a child.

- The mattress intended for use on the bed shall be a full-size crib mattress having minimum dimensions of 51-5/8 inches (1310mm) in length, 27-1/4 inches (690mm) in width and 4 inches (100 mm) in thickness, not exceeding 6 inches (152 mm) in thickness.
- If guardrails are used as the mattress containment means, guardrail(s) provided must be used to avoid the formation of a gap between the mattress and the bed that could cause an entrapment.
- **DO NOT** place bed near windows where cords from blinds or drapes may strangle a child.
- **DO NOT** place items with a string, cord, or ribbon around a child's neck, such as hood strings or pacifier cords.
- **DO NOT** suspend strings over a toddler bed for any pacifier cords.
- A child using the toddler or day bed shall be at least 15 months of age and shall not weigh more than 50lbs (22.7kgs).

ITEM IDENTIFICATION

For ease of identification, all parts are labeled to correspond to the step number in which the part is used.

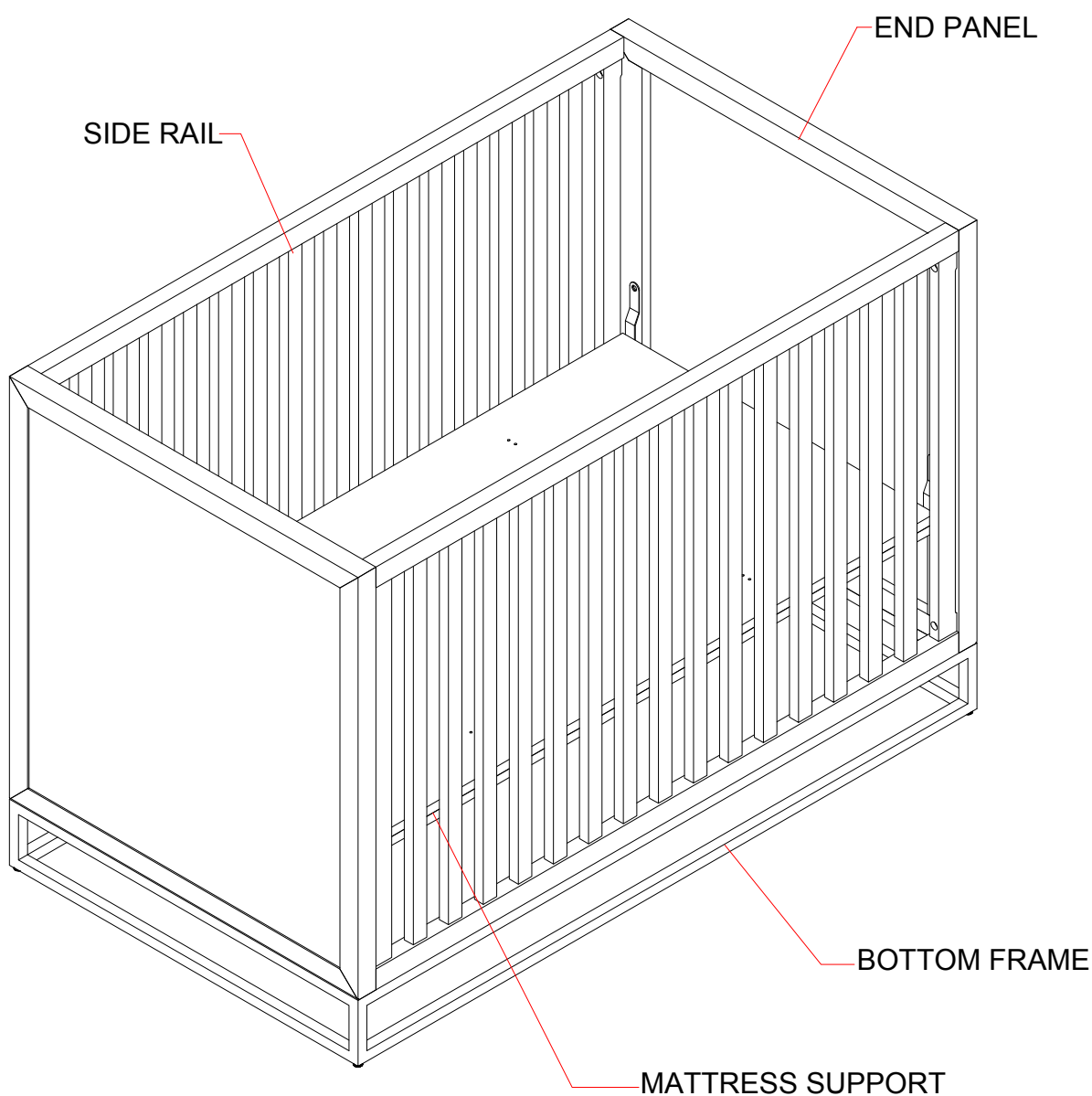
Step #1 End panel and bottom frame assembly (Page 6)

Step #2 Mattress support assembly (Page 7)

Step #3 Side rail assembly (Page 8)

Step #4 Hide unused holes (Page 9)

Step #5 Toddler rail assembly (Page 10)



STEP #1

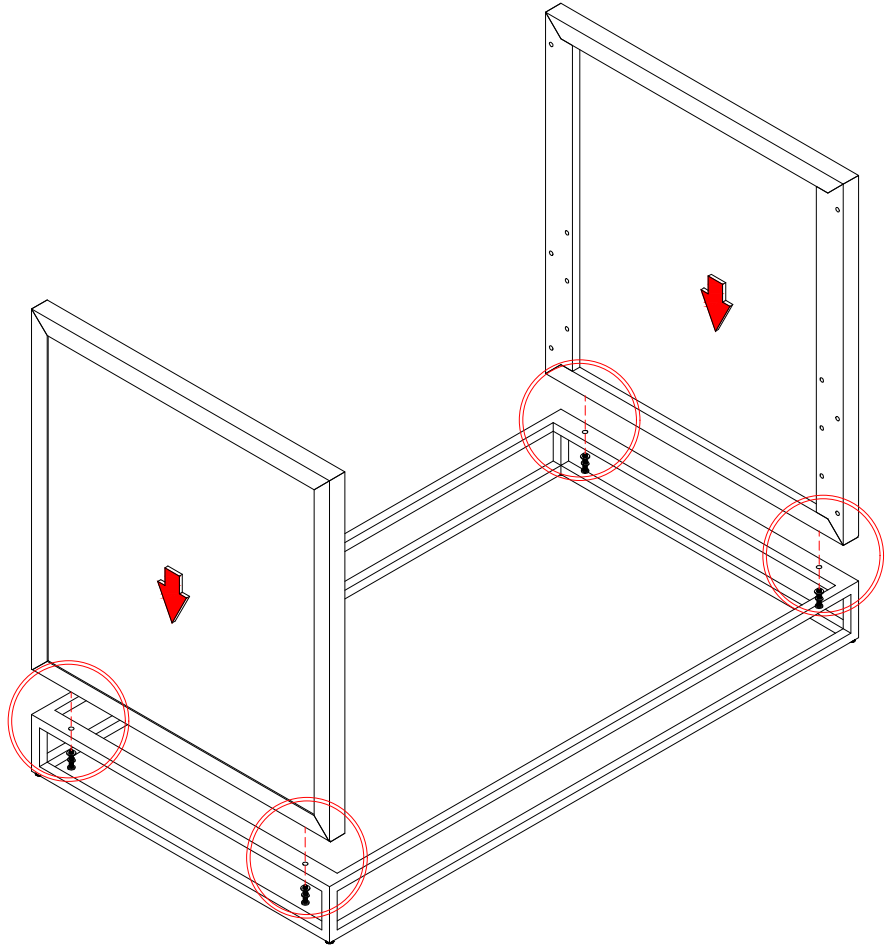
END PANEL & BOTTOM FRAME ASSEMBLY

STEP#1.1:

Attach the end panel to the bottom frame by using Allen bolts (AA) with the lock washers and plain washers. See **DETAIL A**.

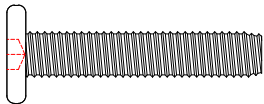
STEP#1.2:

Repeat above procedure to attach the other end panel to the bottom frame.

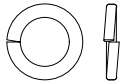


HARDWARE NEEDED FOR STEP #1:

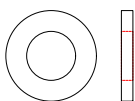
(AA) 1/4" x 1-1/4" BOLT = 4 pcs



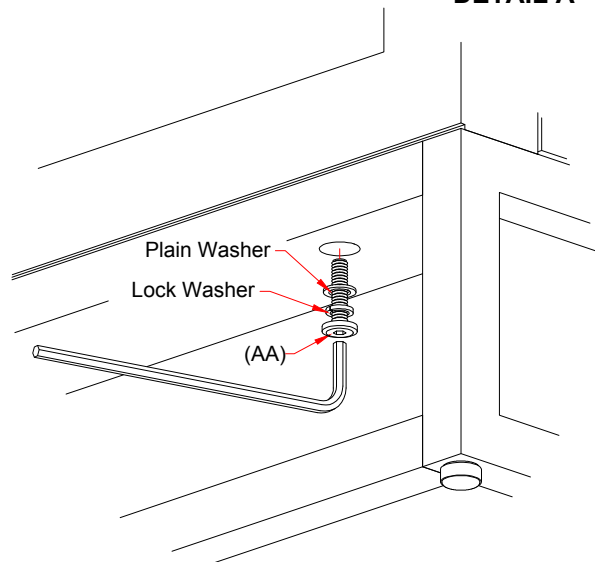
Lock Washers = 4 pcs



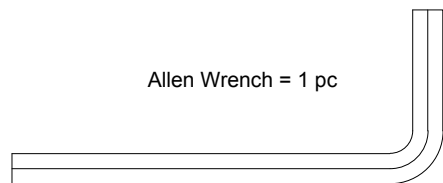
Plain Washers = 4 pcs



DETAIL A



Allen Wrench = 1 pc



STEP #2

MATTRESS SUPPORT ASSEMBLY

STEP #2.1:

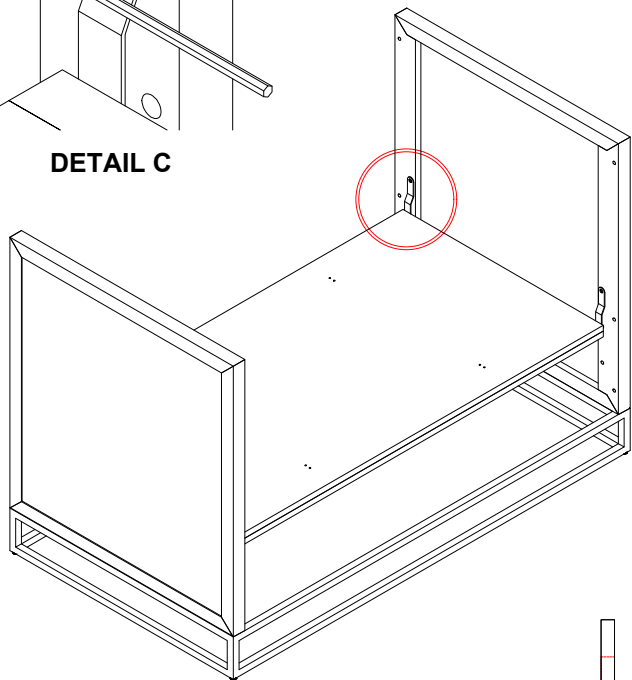
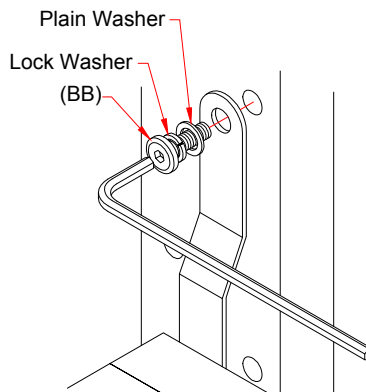
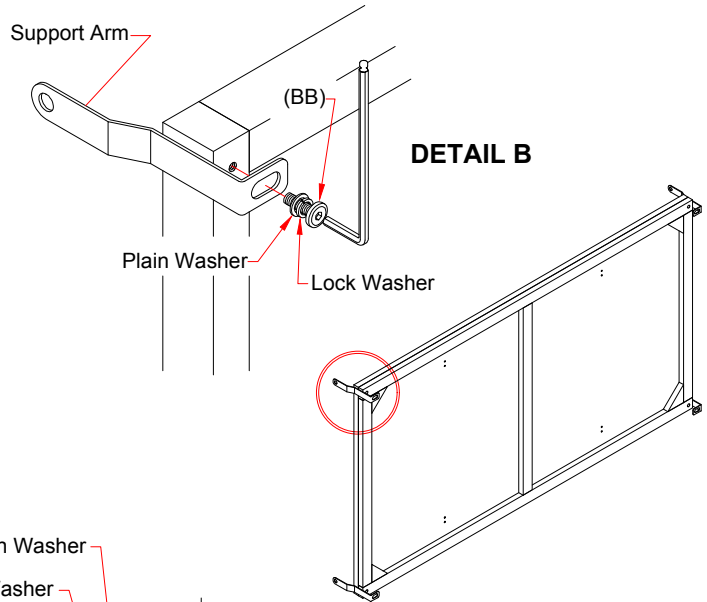
Attach the support arms to the mattress support, using Allen bolts (BB) with lock washers and plain washers. See **DETAIL B**.

STEP #2.2:

Hang the mattress support on both end panels by using Allen bolts (BB), lock washers and plain washers, as per illustration in **DETAIL C**.

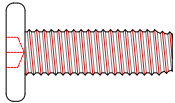
WARNING:

Set the mattress support to the desired height by adjusting the support arms. The mattress support should be at its highest setting for newborns, then adjusted to the lower positions as the child grows and becomes mobile. Once the child is able to stand, the mattress support should be at its lowest position.



HARDWARE NEEDED FOR STEP #2:

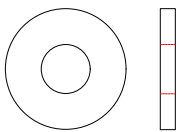
(BB) 1/4" x 13/16" BOLT = 8 pcs



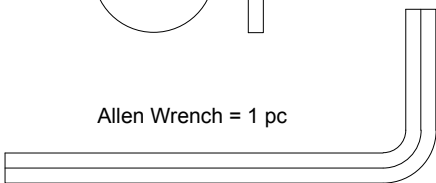
Lock Washer = 8 pcs



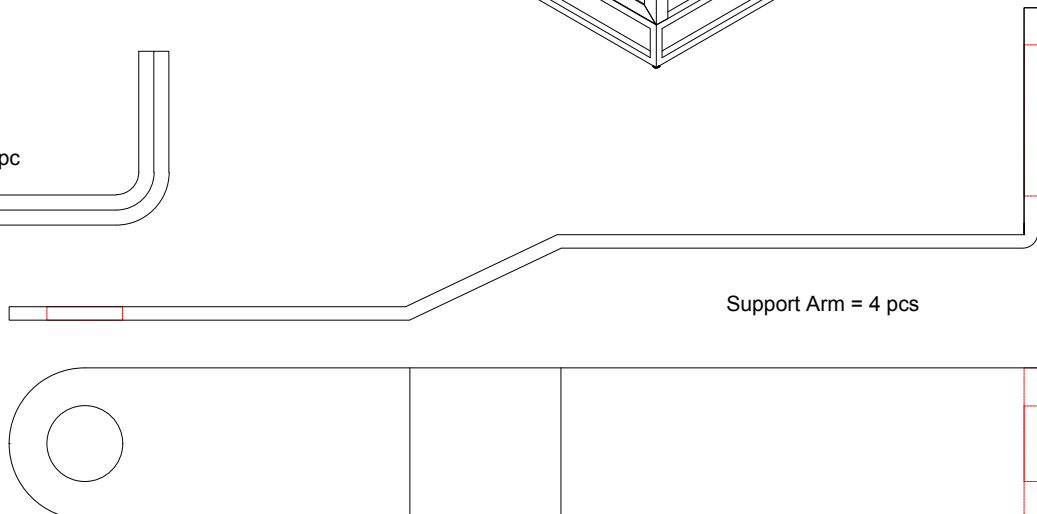
Plain Washer = 8 pcs



Allen Wrench = 1 pc



Support Arm = 4 pcs

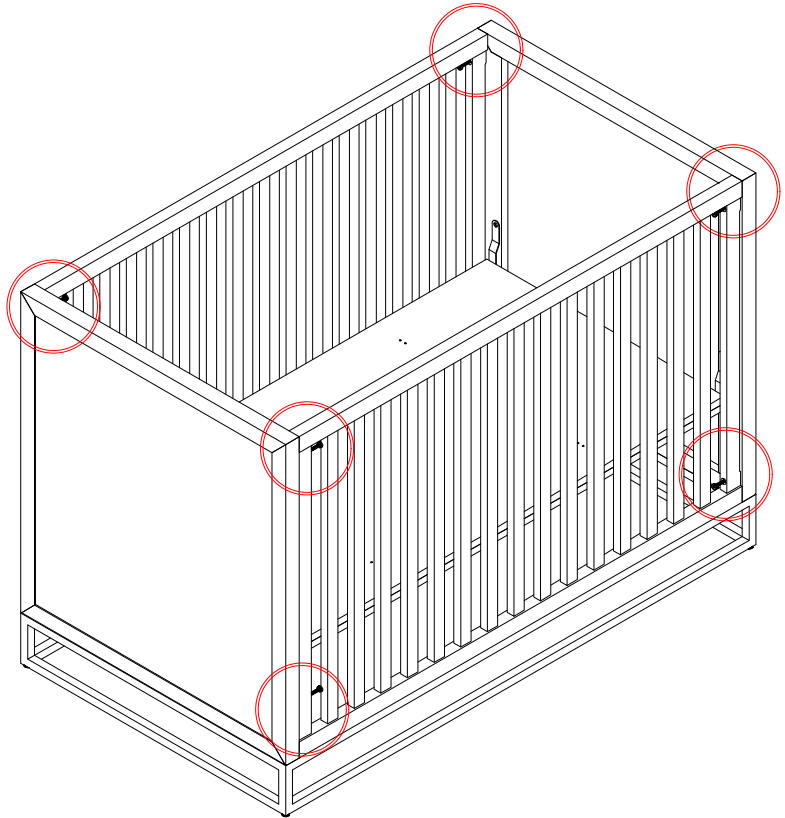


STEP #3

SIDE RAIL ASSEMBLY

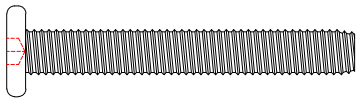
On both ends of the side rail are holes for the bolt to pass through, which correspond to the holes on the posts for both end panels with pre-installed nuts. Attach the side rail to the end panels by using Allen bolts (CC) with lock washers and plain washers. See **DETAIL D**.

After assembly, re-tighten all bolts for a snug fit. DO NOT OVER TIGHTEN.



HARDWARE NEEDED FOR STEP #3:

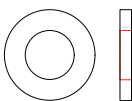
(CC) 1/4" x 1-3/4" BOLT = 8 pcs



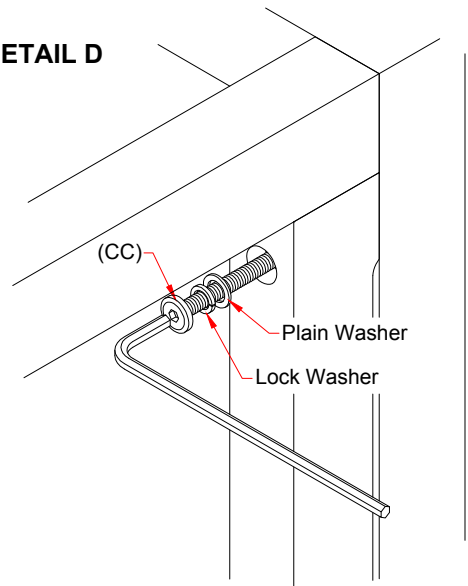
Lock Washers = 8 pcs



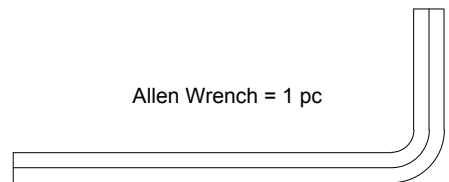
Plain Washers = 8 pcs



DETAIL D



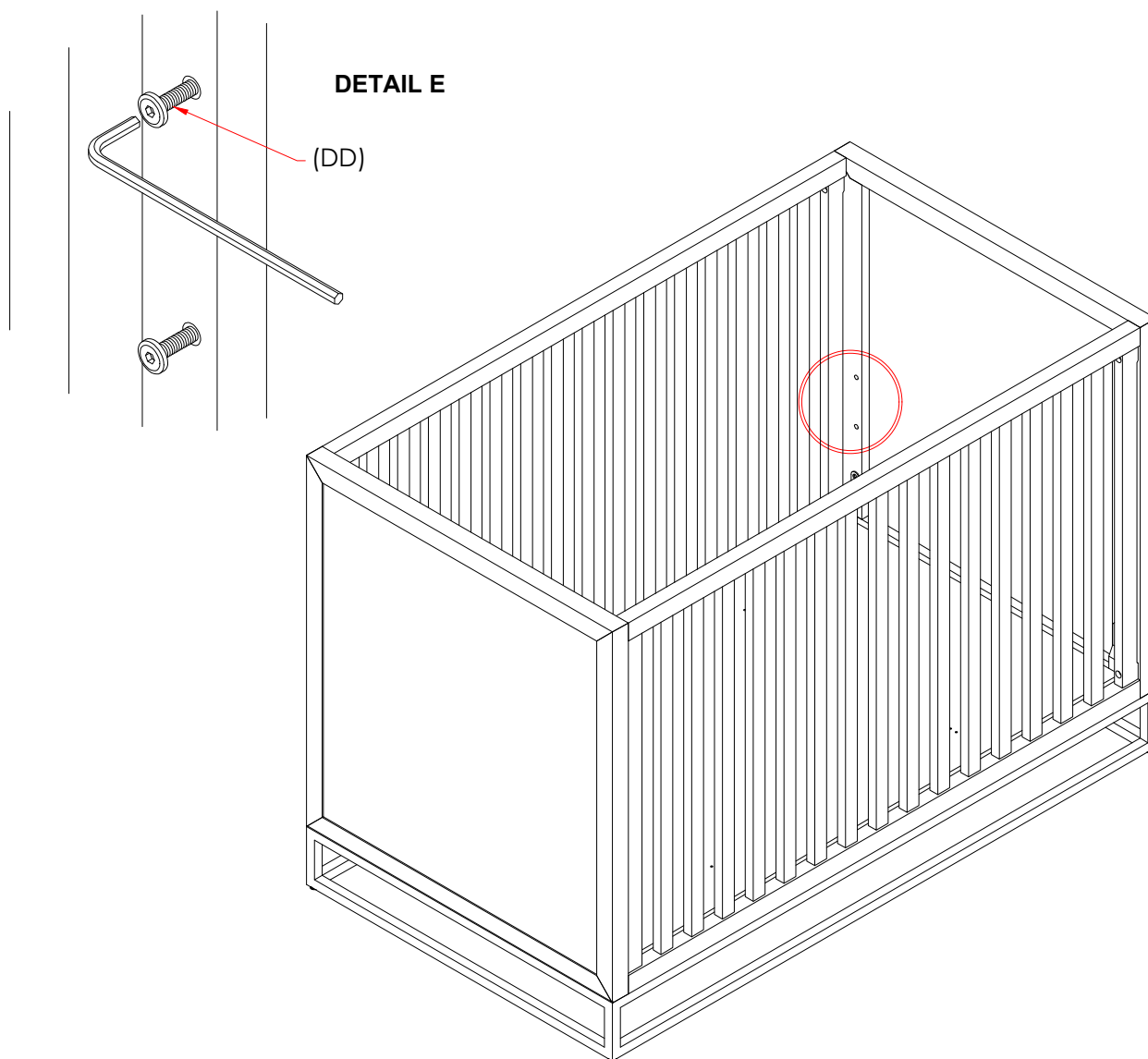
Allen Wrench = 1 pc



STEP #4

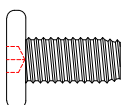
HIDE UNUSED HOLES

When the mattress support is in middle or lowest setting, unused holes can hurt your child's fingers. Use Allen bolts (DD) provided to hide these holes. See illustration in **DETAIL E**.

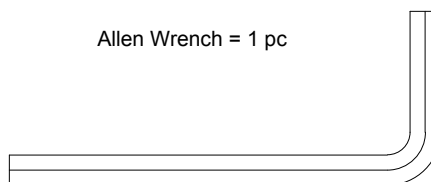


HARDWARE NEEDED FOR STEP #4:

(DD) 1/4" x 1/2" BOLT = 8 pcs



Allen Wrench = 1 pc



STEP #5

TODDLER RAIL ASSEMBLY

STEP #5.1:

Loose all the bolts in both ends of the front side rail to disassemble the front side rail.

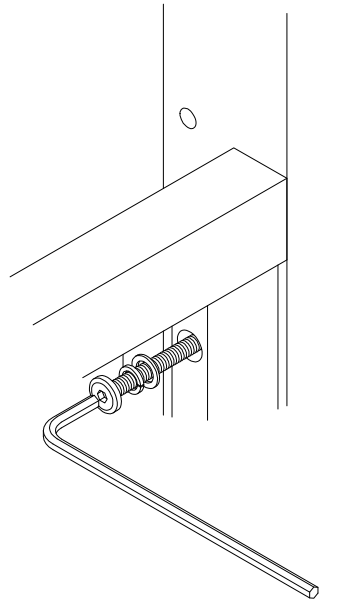
STEP #5.2:

Replace the front side rail by the toddler rail. See **DETAIL F**.

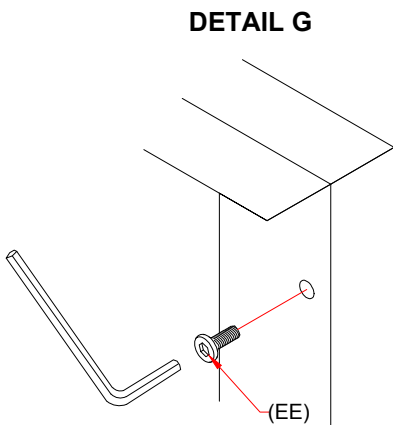
After assembly re-tighten all bolts to snug fit. DO NOT OVER TIGHTEN.

STEP #5.3:

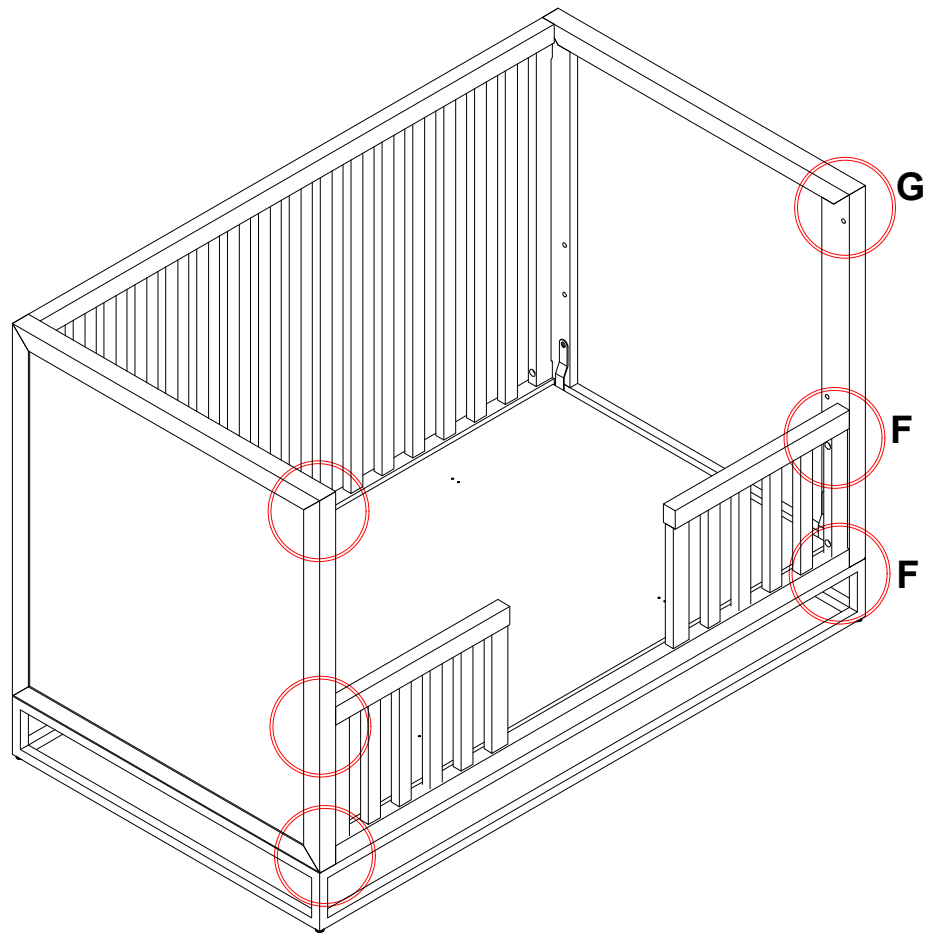
Some unused holes which can be visible can hurt your child's finger. Please use Allen bolts (EE) provided (Packed inside Toddler rail box) to hide these holes. See illustration in **DETAIL G**.



DETAIL F



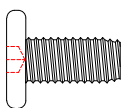
DETAIL G



HARDWARE FOR STEP #5:

(PACKED INSIDE TODDLER RAIL BOX)

(EE) 1/4" x 1/2" BOLT = 2 pcs



Allen Wrench = 1 pc

