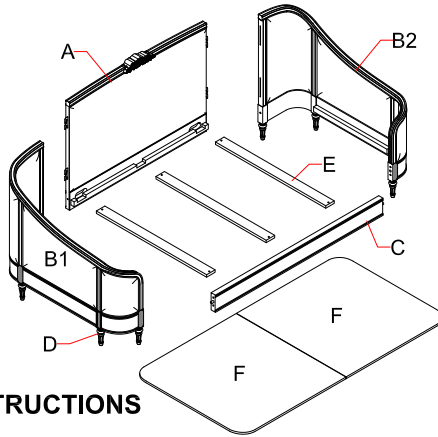


RH BABY & CHILD

AVELINE UPHOLSTERED TWIN DAYBED - ASSEMBLY INSTRUCTIONS

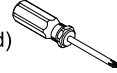
PARTS INCLUDED

- A [1] HEADBOARD
- B1 [1] LEFT END PANEL
- B2 [1] RIGHT END PANEL
- C [1] FRONT RAIL
- D [8] LEGS
- E [3] BED SLATS
- F [2] PLATFORM PANELS



TOOLS NEEDED

Phillips-head Screwdriver (not included)



HARDWARE INCLUDED

NO.	SKETCH	DESCRIPTION	SPECIFICATION	QTY.
1		Threaded Rod	M8 x 100mm	4 pcs.
2		Curved Washer	15 x 8.5 x 2mm	6 pcs.
3		Lock Washer	Ø14 x Ø9 x 2mm	6 pcs.
4		Hex Nut	M8 x H15 x D14mm	4 pcs.
5		Spanner Wrench	D14.5 x 100mm	1 pc.
6		Allen Bolt	M8 x 80mm	2 pcs.
7		Allen Key	110 x 28 x D4mm	1 pc.
8		Round-head Screw	M4 x 25mm	6 pcs.

IMPORTANT SAFETY INSTRUCTIONS

1. Please read all instructions carefully before assembling.
2. For your safety, assembly by two or more adults is strongly recommended.
3. Keep instructions for future use.
4. Use only vendor-supplied hardware to assemble. Using unauthorized hardware could jeopardize the structural integrity of the item.

ASSEMBLY INSTRUCTIONS

1. Gently lay both end panels (B1/B2) on their backs on a flat and non-abrasive surface.

NOTE: On the bottom of the end panels (B1/B2) are holes with pre-installed nuts that correspond to the threaded rods pre-installed in the legs (D).

2. Align and insert the threaded rods of the legs (D) into the holes underneath both of the end panels (B1/B2) and turn clockwise to tighten. See **FIGURE 1**.

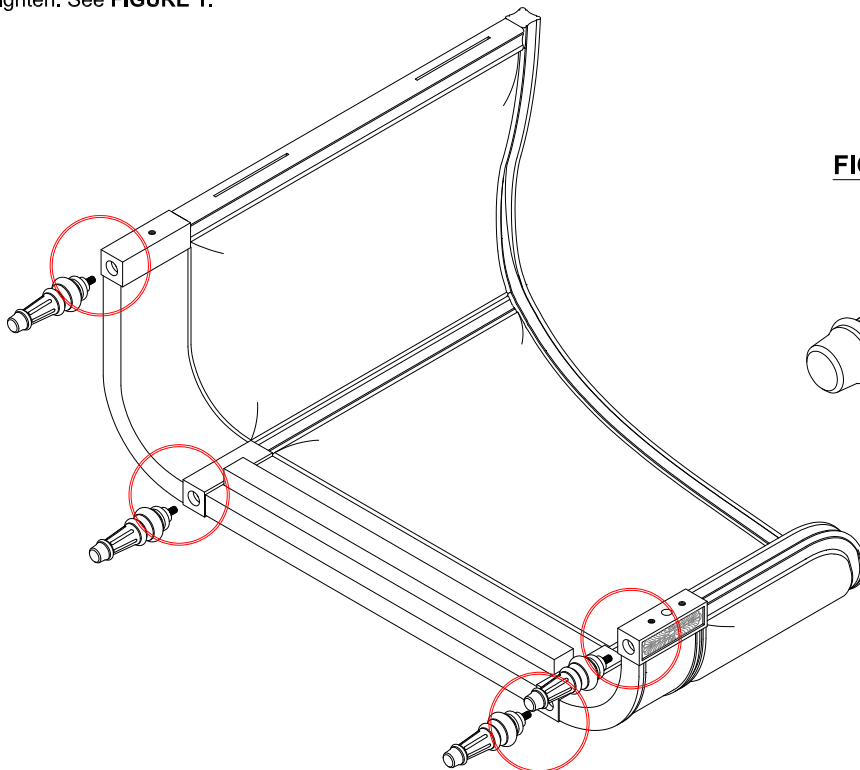
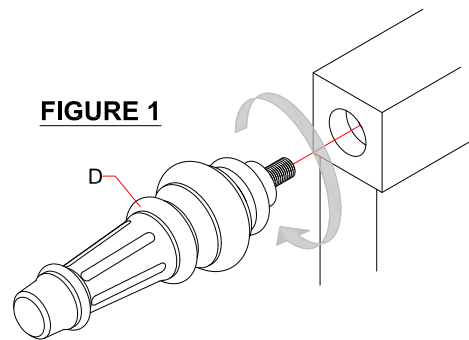


FIGURE 1

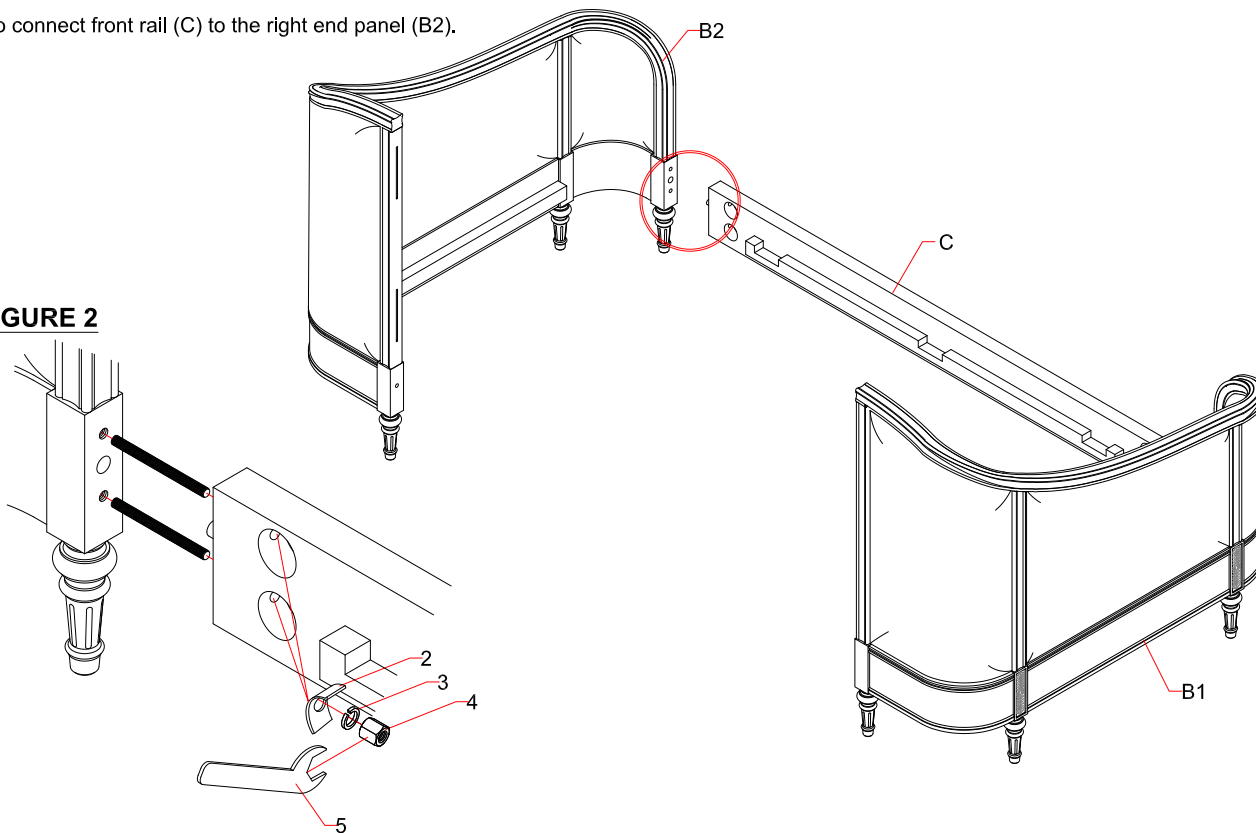


- Place the left end panel (B1) upright in the position you wish the bed to be in when fully assembled. Secure the threaded rods (1) to the fixed nuts in the left end panel (B1) by simply turning them manually. Raise the front rail (C) up and align the rods (1) with the boreholes on the end of the front rail (C). Put the front rail (C) up against the left end panel (B1) so the threaded rods (1) go through the boreholes. Insert curved washers (2) and lock washers (3), place hex nuts (4) on threaded rods (1) and tighten hex nuts (4) with wrench (5). See **FIGURE 2**.

DO NOT FULLY TIGHTEN.

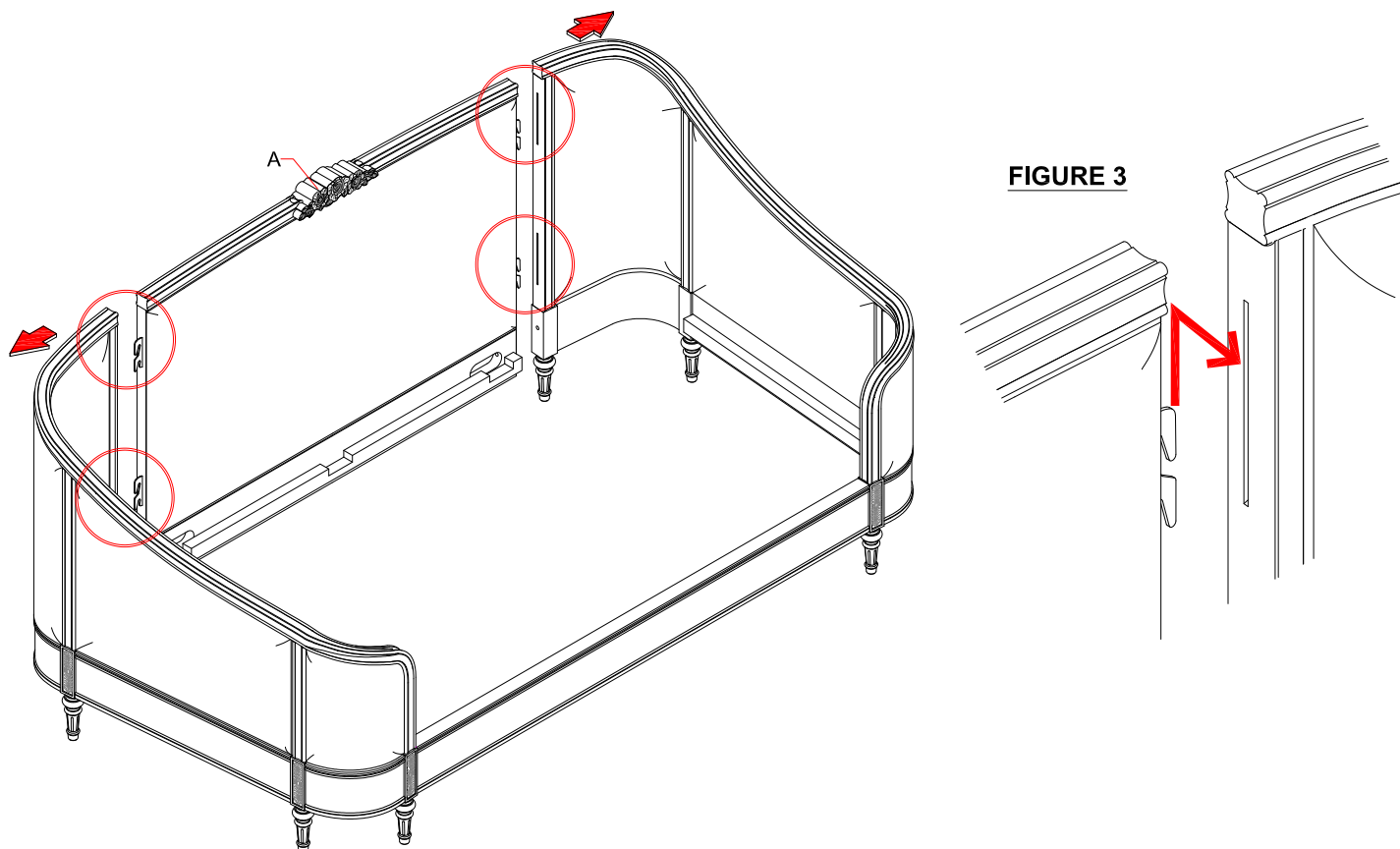
- Repeat to connect front rail (C) to the right end panel (B2).

FIGURE 2

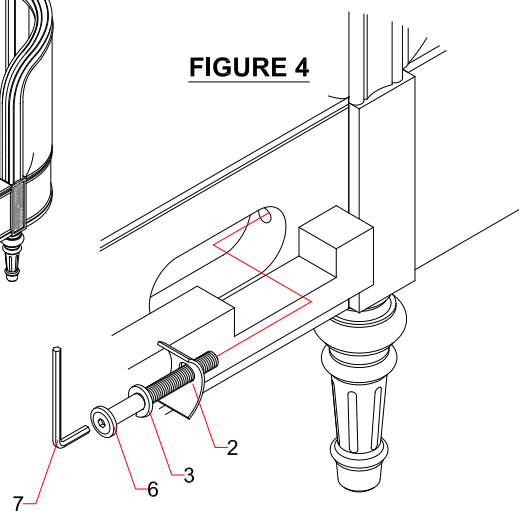
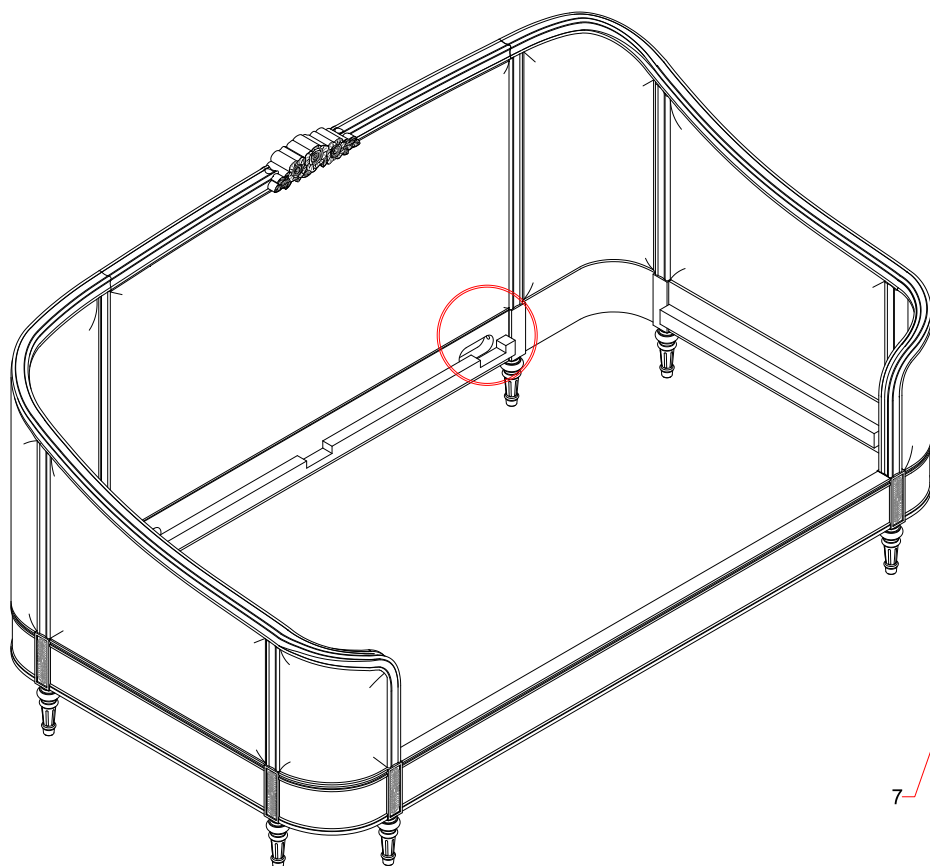


- Gently pull the end of the left and right end panels (B1/B2) out and leave enough space to assemble the headboard (A) as shown.
- Bring the headboard (A) over to the assembled bed frame. Gently lift up the headboard (A) and hook the pre-installed metal bracket to the slots with metal pins inserted on both end panels. See **FIGURE 3**.

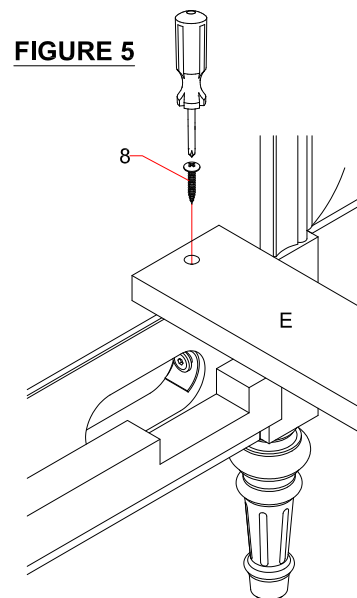
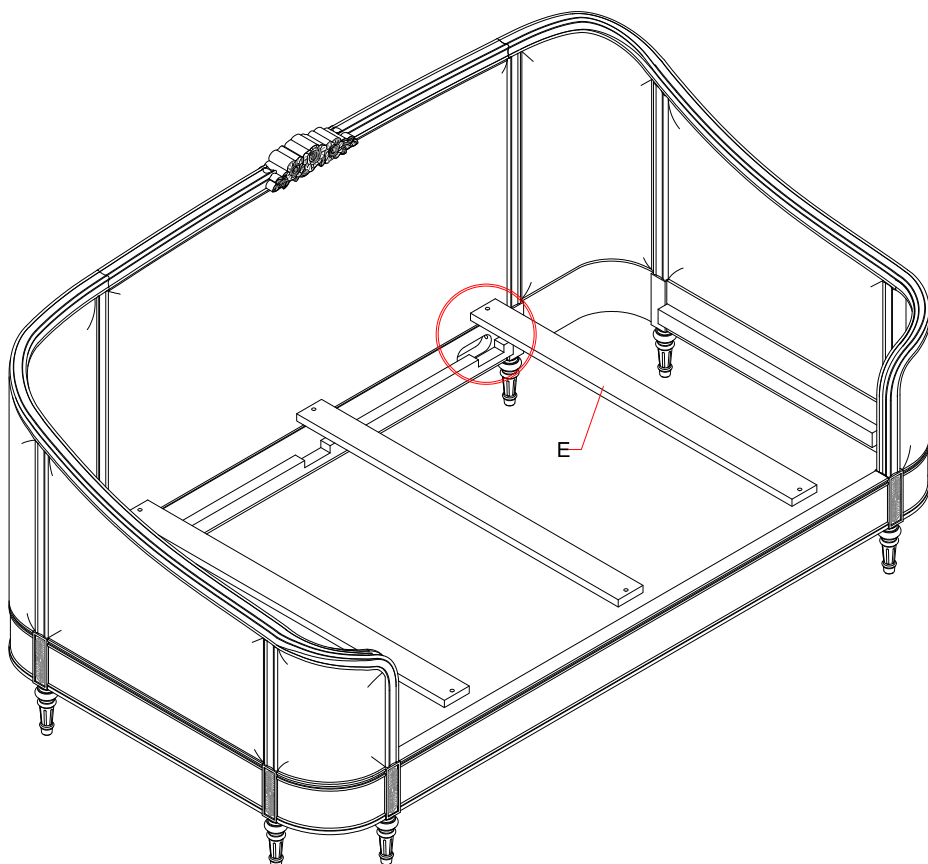
FIGURE 3



7. Insert Allen bolts (6) together with lock washers (3) and curved washers (2) into the boltholes on the headboard (A). See **FIGURE 4**. After assembly, re-tighten all bolts (6) and nuts (4) for a snug fit. DO NOT OVERTIGHTEN.

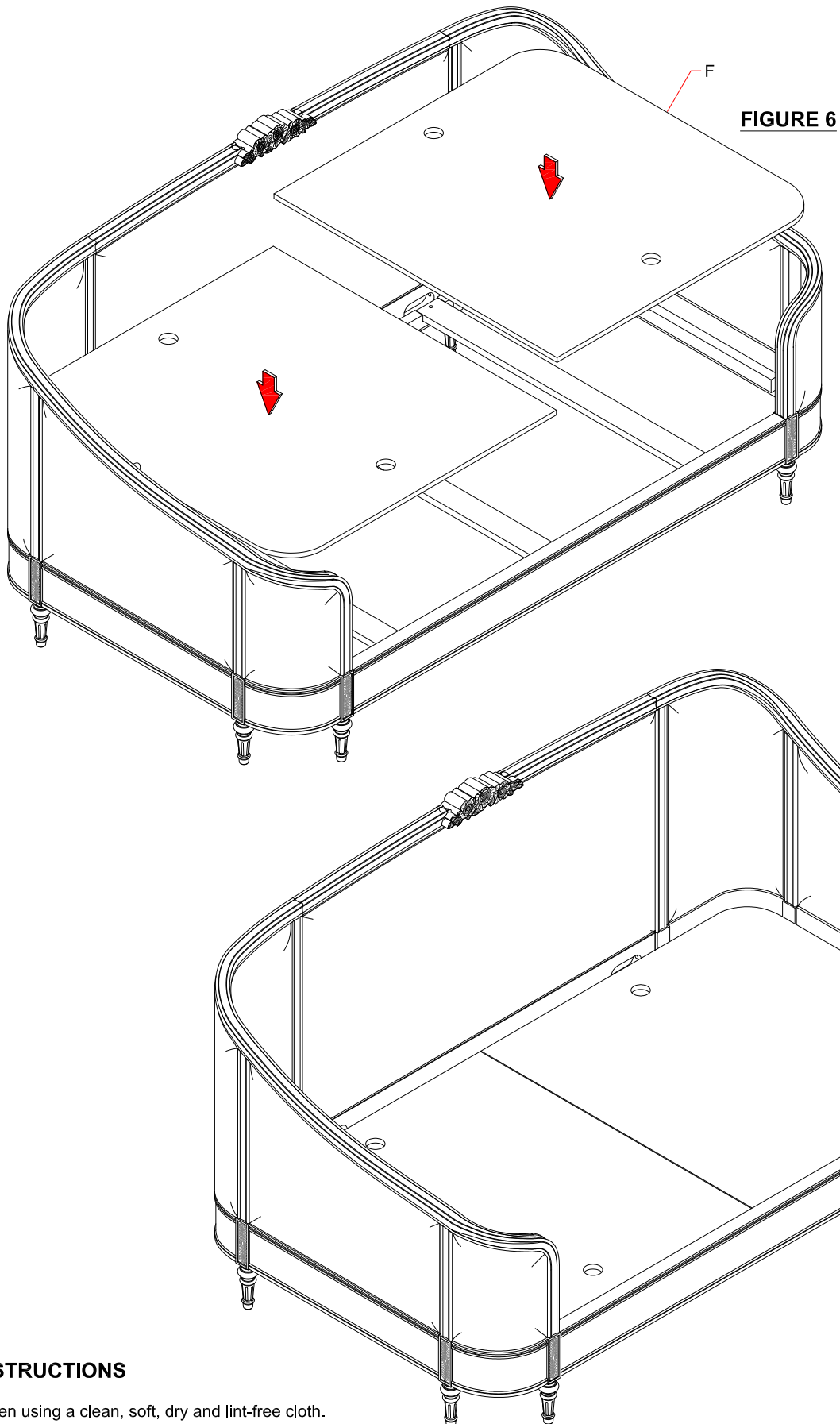


8. On the inside face of both headboard (A) and front rail (C) are cleats with cavities for the bed slats (E). Set the bed slats (E) in these cleats and fasten both ends with the Round-head screws (8) provided. See **FIGURE 5**.



9. Set the platform panels (F) on assembled bed as illustrated in FIGURE 6.

10. Assembly is complete.



CARE INSTRUCTIONS

1. Dust often using a clean, soft, dry and lint-free cloth.
2. Blot spills immediately and wipe with a clean, damp cloth.
3. Do not use chemical cleaners, abrasives or furniture polish, as they may damage the finish.