

# RH BABY & CHILD

## BELLE UPHOLSTERED PLATFORM TWIN/ FULL/ QUEEN BED







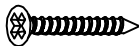
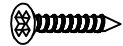
**WARNING:** ADULT ASSEMBLY ONLY OWING TO THE PRESENCE OF SMALL PARTS, SHARP POINTS AND EDGES

**Customer Service** - If you are missing parts or have any questions about this product, please contact us at: 1-800-762-1751

### PARTS LIST

A [1] HEADBOARD
B [2] SIDE RAILS
C [1] FOOTBOARD
D [3] STRETCHER BAR
E [2] PLATFORM PANEL
F [3] CENTER SUPPORT FOOT
G [2] FINIAL

### HARDWARE LIST

1	5/16"x3" Threaded Rod		4pcs
2	5/16" Curved Slotted Washer		4pcs
3	5/16"x12mm Nut		4pcs
4	12mm Wrench		1pc
5	8x30mm Wood Screw		32pcs for Twin Bed
			36pcs for Full Bed
			40pcs for Queen Bed
6	8x25mm Wood Screw		6pcs

### TOOLS NEEDED

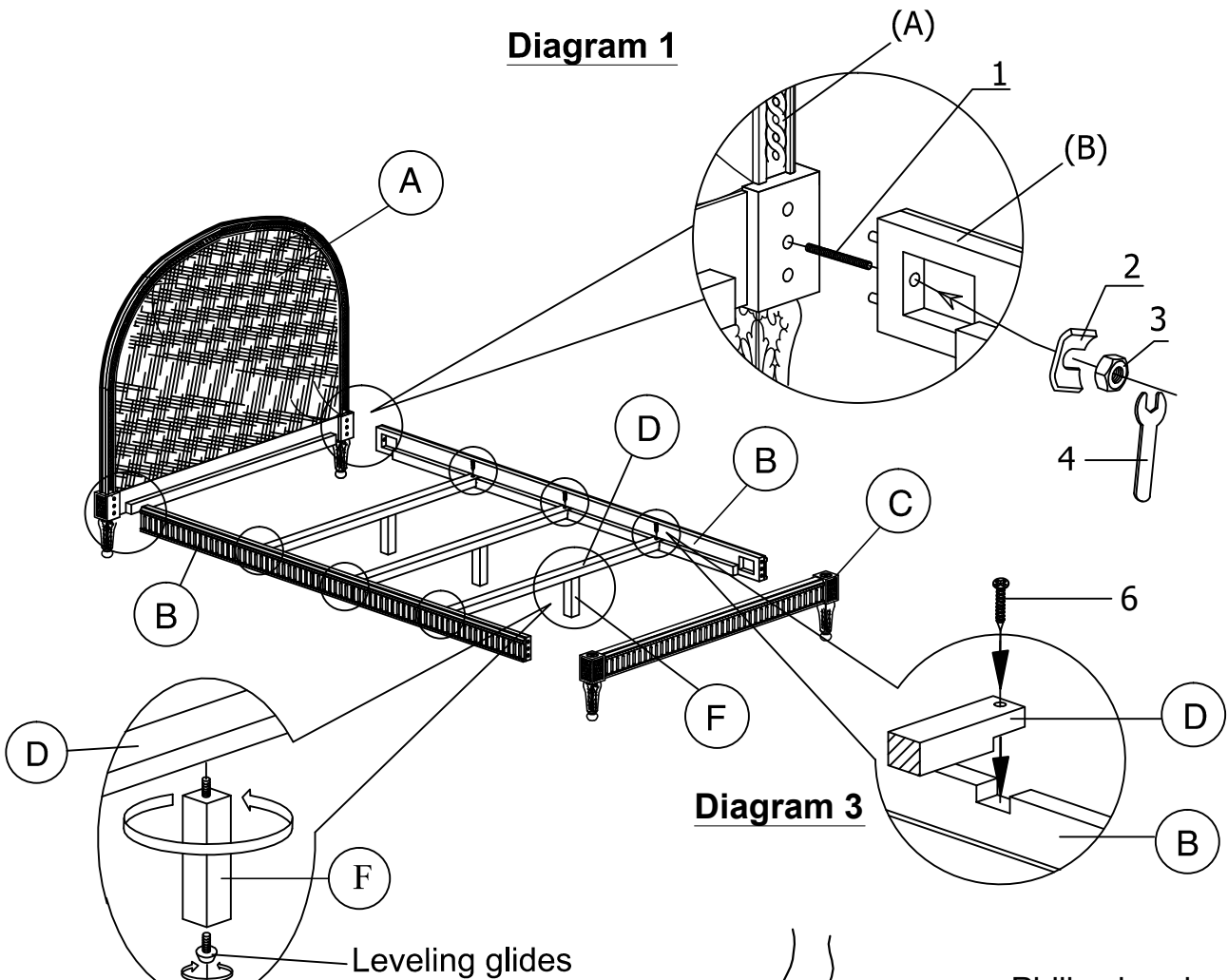
- Phillips head screwdriver

### ASSEMBLY INSTRUCTION

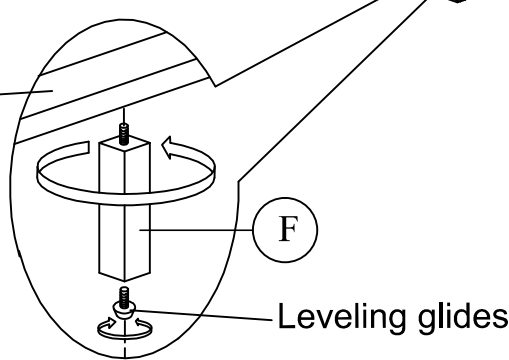
**Note:** Bed can be assembled by one person rather easily, but if two people are available it is easier and the operation will require less preparation. The instructions are written assuming one person is assembling the bed.

- Place the Headboard (A) upright in the position you wish the bed to be in when fully assembled. The headboard bedfast hardware should be facing the inside, toward the mattress.
- Secure the Threaded Rod (1) to the Headboard (A). Place towels or some other soft item (not included) under each Side Rail (B). These will protect the floor while lifting the rails, allowing for easier attachment to the headboard & footboard. Raise the Side Rail (B) up and place the rod into the Side Rail (B) at the bore holes' position, insert Curved Slotted Washer (2) and tighten Hex Nuts (3) using Wrench (4) (as shown in diagram 1). Repeat the procedure with the Side Rail (B) ends to attach to the Footboard (C).
- Attach one Center Support Foot (F) to each Stretcher Bar (D) (as shown in diagram 2).
- Lay the Stretcher Bars (D) in between the Top Side Rails (B), then tighten using Screws (6) and Philips head screwdriver (as shown in diagram 3). Adjust levelers on bottom of Center Support Feet (F) as needed.
- Lay the Top Platform Panels (E) on top of the Stretcher Bars (D) and attach using Qty.32 Screws (5) with Philips head screwdriver (as shown in diagram 4).
- Secure the Finials (G) to the top of Footboard (C) (as shown in diagram 5).

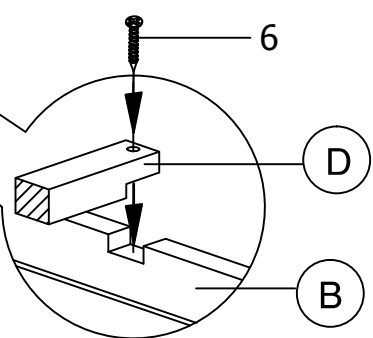
**Diagram 1**



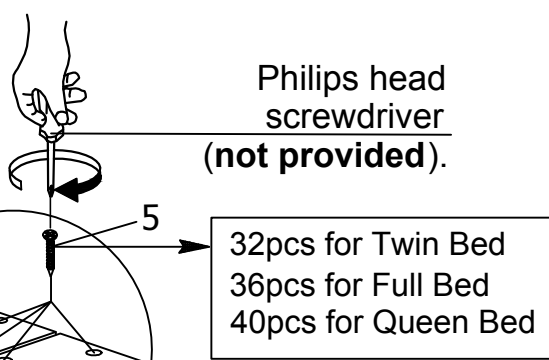
**Diagram 2**



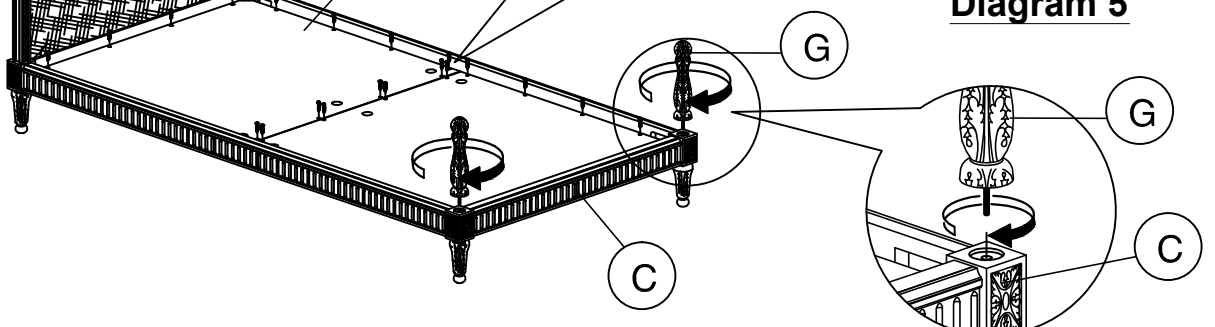
**Diagram 3**



**Diagram 4**



**Diagram 5**



**CARE INSTRUCTIONS:**

- Dust often using a clean, soft, dry lint-free cloth.
- Blot spills immediately, and wipe with a clean, damp cloth.
- We do not recommend the use of chemical cleansers, abrasives, or furniture polish on our lacquered finish.