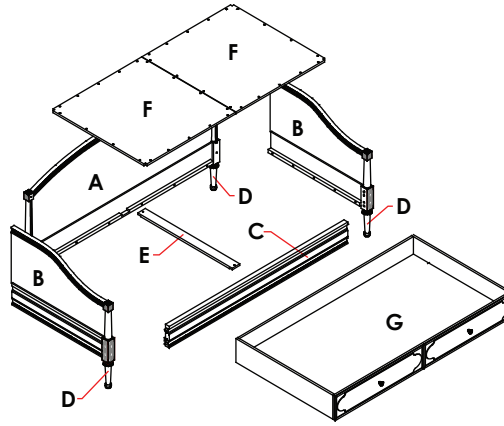


**BELLINA DAYBED**

**⚠ WARNING:** ADULT ASSEMBLY ONLY OWING TO THE PRESENCE OF SMALL PARTS, SHARP POINTS AND EDGES.

**PART LIST**

- A HEADBOARD
- B END PANEL
- C FRONT RAIL
- D LEG
- E TWIN PANEL SUPPORT
- F TWIN PANEL
- G TRUNDLE (OPTIONAL)











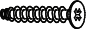
**IMPORTANT**

These bed parts can be cumbersome and heavy to some people; therefore the assistance of two or more people is recommended in order to prevent personal injury and ensure the bed parts are not damaged during the assembly process.

**TOOLS NEEDED**

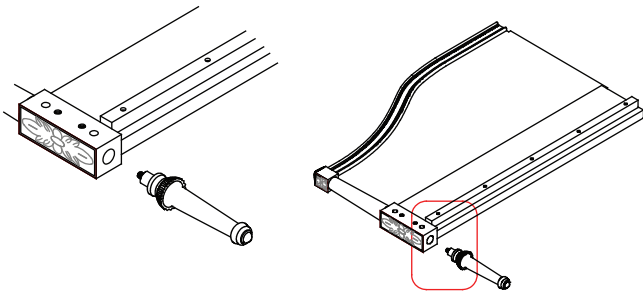
-PHILLIPS HEAD SCREWDRIVER (NOT PROVIDED)

**HARDWARE LIST**

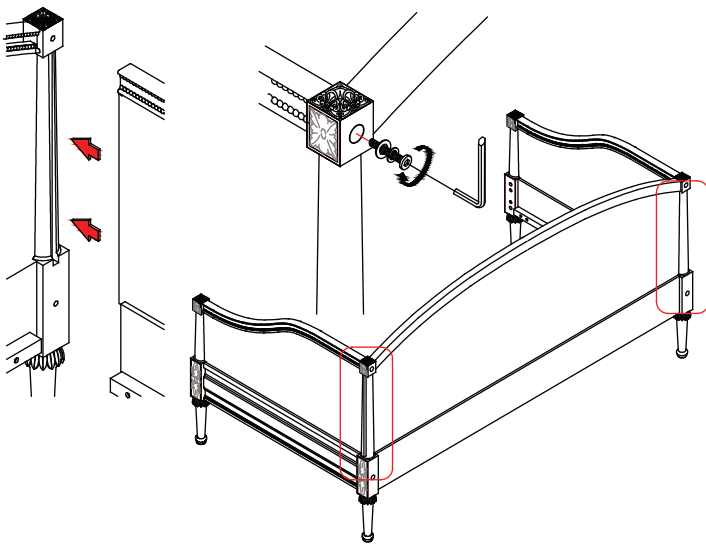
NO.		DESCRIPTION	QTY.
1		THREADED ROD	4 PCS
2		CURVED WASHER	4 PCS
3		LOCK WASHER	8 PCS
4		HEX NUT	4 PCS
5		WRENCH	1 PC
6		ALLEN HEAD BOLT	4 PCS
7		PLAIN WASHER	4 PCS
8		ALLEN WRENCH	1 PCS
9		PHILLIPS WOOD SCREW	38 PCS

Customer Service - If you are missing parts or have any questions about this product please contact us at 1-800-762-1751

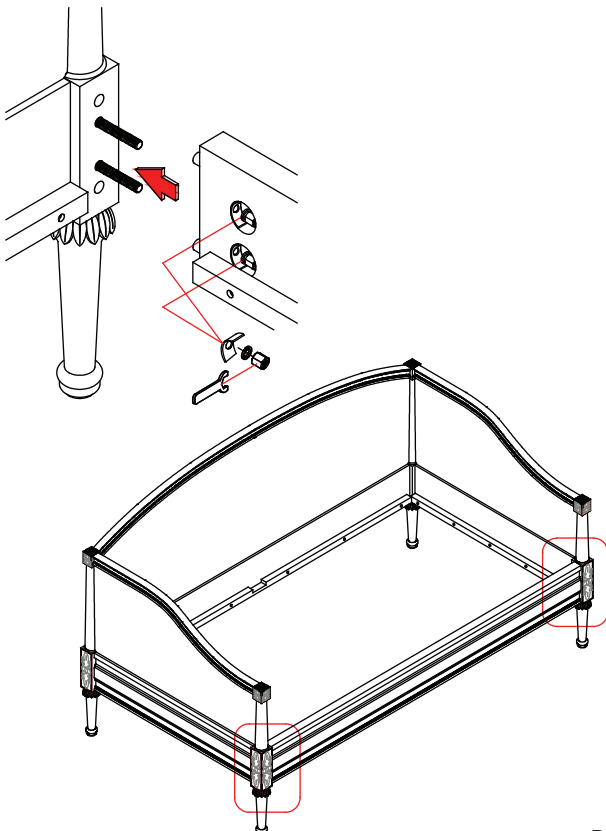
**FIGURE 01**



**FIGURE 02**



**FIGURE 03**



**ASSEMBLY INSTRUCTIONS:**

Thank you for choosing this quality product. Be sure to check all packaging materials carefully for small parts that may have become loose during shipment and place all parts on a non-abrasive surface.

**STEP #1:**

Gently lay the Bellina Daybed Headboard (A) and End Panels (B) on their backs on a flat and non-abrasive surface.

Note: on the bottom of Headboard (A) and End Panels (B) are holes with pre-installed nuts that correspond to the threaded rods pre-installed in the Legs.

**STEP #2:**

Align and insert the threaded rod of the Legs (D) into the holes and turn clockwise to tighten. Please see sketch in FIGURE 01.

Note: Both ends of the Headboard (A) have holes for the bolts to pass through and cavities that correspond to the holes located on both connecting ends of the End Panels (B) with insert nuts pre-installed.

**STEP #3:**

Place the Headboard (A) and the End Panels (B) upright in the position you wish the bed to be in when fully assembled.

**STEP #4:**

Insert Allen Head Bolt (6) in each hole together with Plain Washer (7) and Lock Washer (3) and tighten with Allen Wrench (8) provided. Please see FIGURE 02.

**NOTE: DO NOT OVER TIGHTEN**

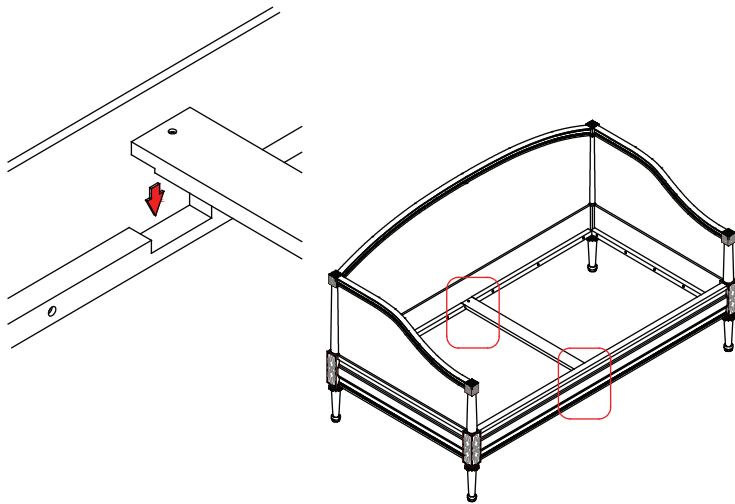
**STEP #5:**

To install the Front Rail (C), fasten the Threaded Rod (1) manually into the insert nut on both End Panels (B). Insert the wooden dowels of the Front Rail (C) onto the mating hole of both End Panels (B) as well as the threaded rod of End Panels (B) into the mating holes of the Front Rail (C). Insert Curved Washer (2), Lock Washer (3) and engage Hexagonal Nut (4). Tighten all the nuts with Wrench (5) provided. Please see FIGURE 03.

**NOTE:**

After assembly, re-tighten all bolts to a snug fit.

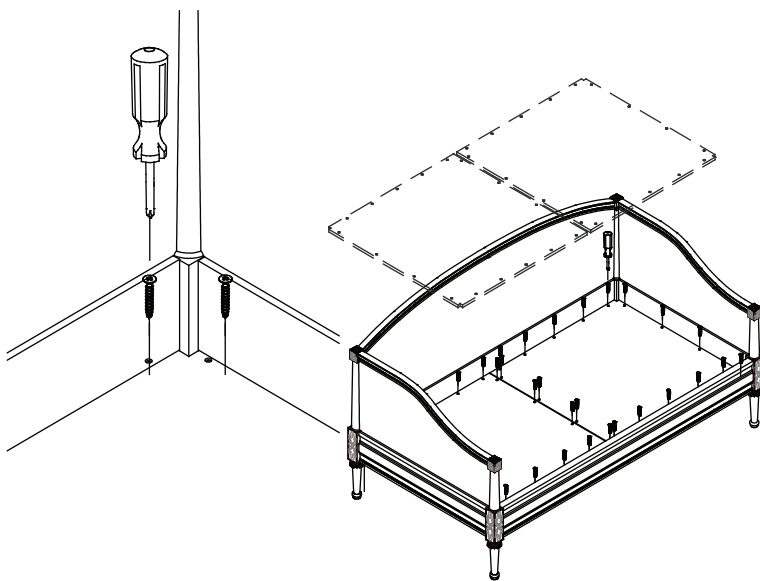
**FIGURE 04**



**STEP #6.**

On inside face of both Headboard (A) and Front Rail (C) are cleats with cavity for the Twin Panel Support (E). Set the Twin Panel Support in these cleats and fasten both ends with Screws (9) provided. Please see FIGURE 04.

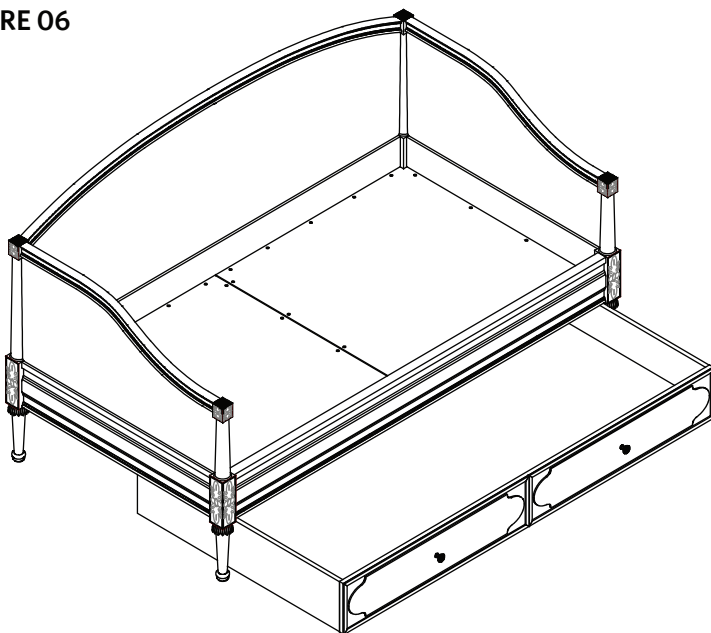
**FIGURE 05**



**STEP #7.**

Set the Twin Panels (F) on assembled bed and fasten these with Screws (9) provided as in FIGURE 05.

**FIGURE 06**



**STEP #8**

After assembly, slide the optional Trundle (sold separately) (G) underneath the Daybed as in FIGURE 06.

*Thank you for your purchase*  
[www.rhbabyandchild.com](http://www.rhbabyandchild.com)