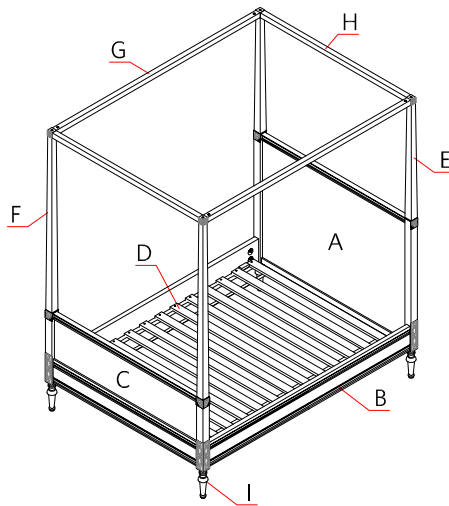


BELLINA CANOPY FULL/TWIN BED

PARTS INCLUDED

- A [1] HEADBOARD
- B [2] SIDE RAIL
- C [1] FOOTBOARD
- D [1] SET OF BED SLATS
- E [2] HB POST
- F [2] FB POST
- G [2] LONG CANOPY
- H [2] SHORT CANOPY
- I [4] LEG



NO.	ITEM	DESCRIPTION	QTY.
1		Threaded Rod	8 pcs.
2		Curved Washer	8 pcs.
3		Lock Washer (M8)	8 pcs.
4		Hex Nut	8 pcs.
5		Wrench	1 pc.
6		Allen Bolt (M6 x 55mm)	4 pcs.
7		Lock Washer (M6)	4 pcs.
8		Plain Washer (M6)	4 pcs.
9		Allen Key	1 pc.
10		Mini Fix Bolt	4 pcs.
11		Round Head Screw M4 x 25mm	26 pcs.

ASSEMBLY INSTRUCTIONS

1. Lay the headboard (A) and the footboard (C) on a flat surface. Attach the legs (I) into the fixed nuts in bottom of the headboard/footboard. DO NOT OVER TIGHTEN. See FIGURE 1.
2. Place the headboard (A) upright in the position you wish the bed to be in when fully assembled.
3. Secure the threaded rod (1) to the fixed nut in the headboard (A) by simply turning it manually.
4. Raise the side rail (B) up and place the rod (1) to align with the bore holes on the end of the side rail (B). Put the side rail (B) up against the headboard (A) so the threaded rods (1) go through the bore holes. Insert curved washer (2), lock washer (3) and place hex nuts (4) on threaded rod (1) then tighten the hex nuts (4) with wrench (5), as illustration in FIGURE 2.
5. Repeat the above procedure with the other side rail (B) to attach it to the headboard (A), and then repeat to connect side rails (B) to the footboard (C).
6. Set the bed slats (D) on the slat holders of the side rails (B), then fix each slat by using screws (11) provided. See FIGURE 3.

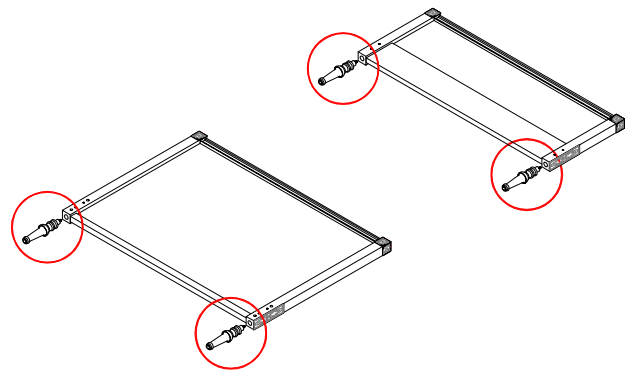
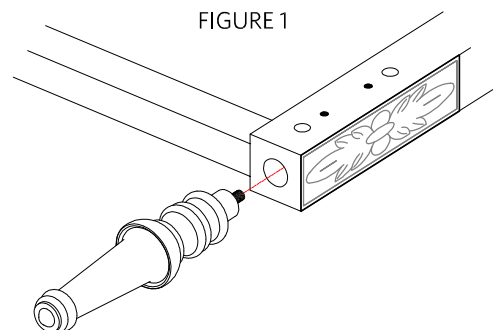


FIGURE 1



BELLINA CANOPY FULL/TWIN BED

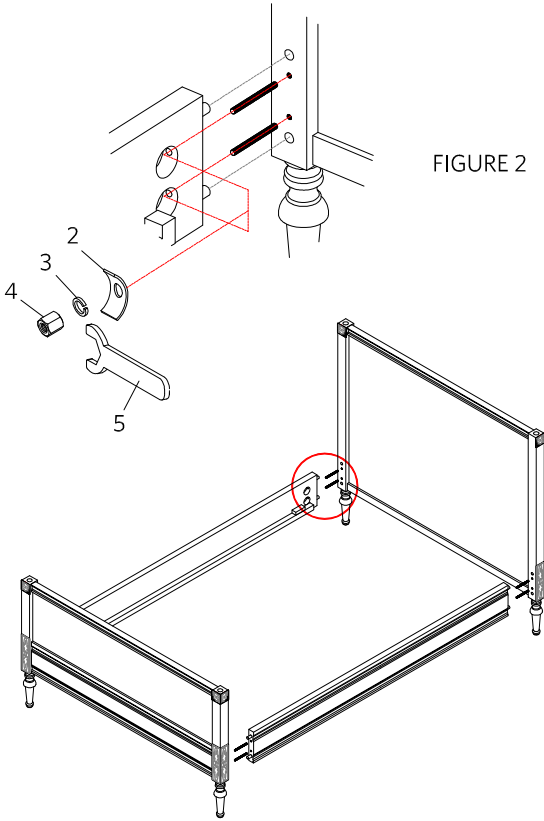


FIGURE 2

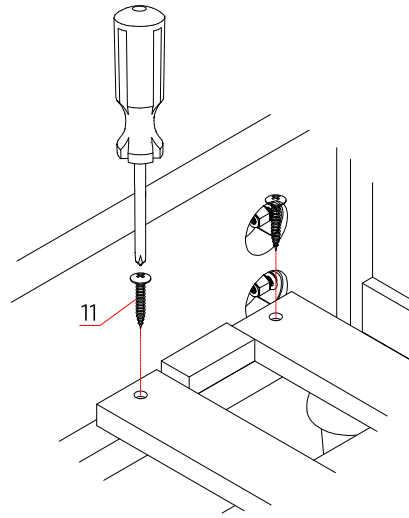
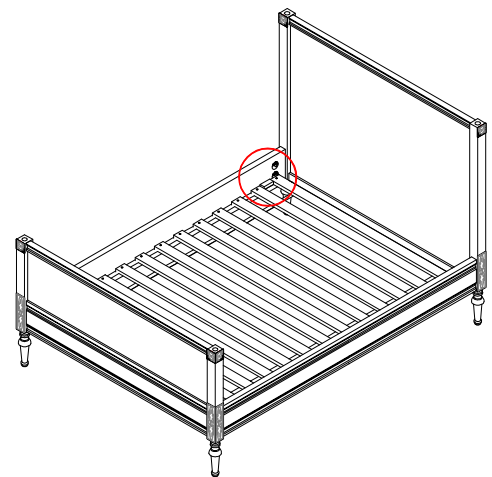


FIGURE 3



7. Install the HB posts (E) on top of the headboard (A) as per illustration in FIGURE 4.
8. Install the FB posts (F) on top of the footboard (C) as per illustration in FIGURE 5.
9. Loosen the mini fix locks in both ends of the long canopies (G), as per illustration in FIGURE 6.
10. Attach the mini fix bolts (10) into the fixed nuts in the short canopies (H). See FIGURE 7.
11. Connect the long canopies (G) to the short canopies (H), as per illustration in FIGURE 8. Re-tighten all the mini fix locks.
12. Bring the canopy frame and set it on top of the HB/FB posts. You will need the four legs ladder for this step.
13. Use Allen bolts (6), lock washers (7) and plain washers (8) to secure the canopy frame to the HB/FB posts. See FIGURE 9.
14. Assembly is complete.

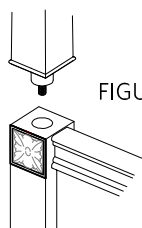


FIGURE 5

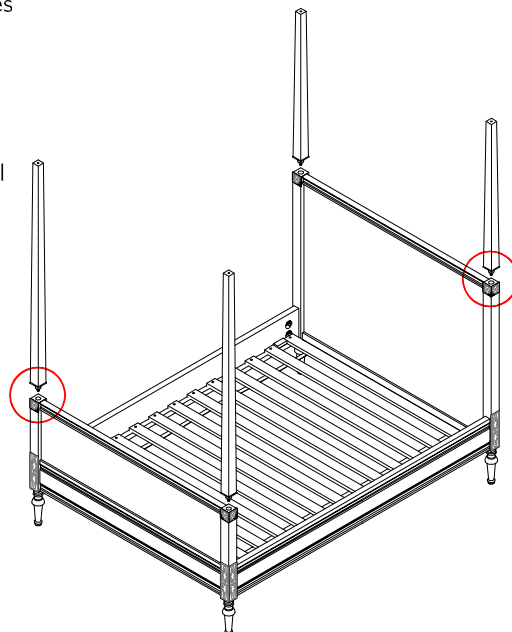
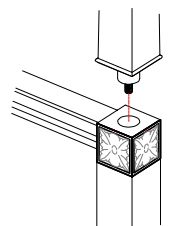
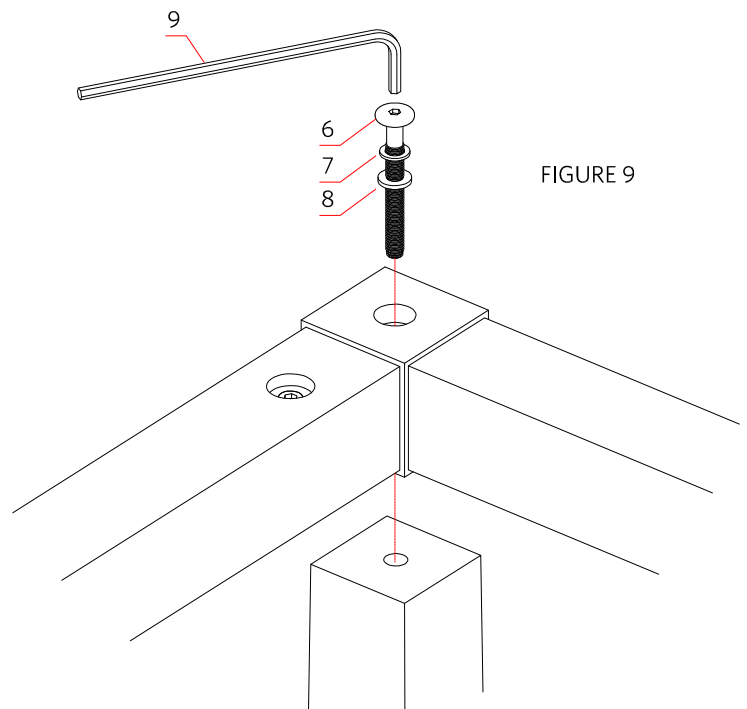
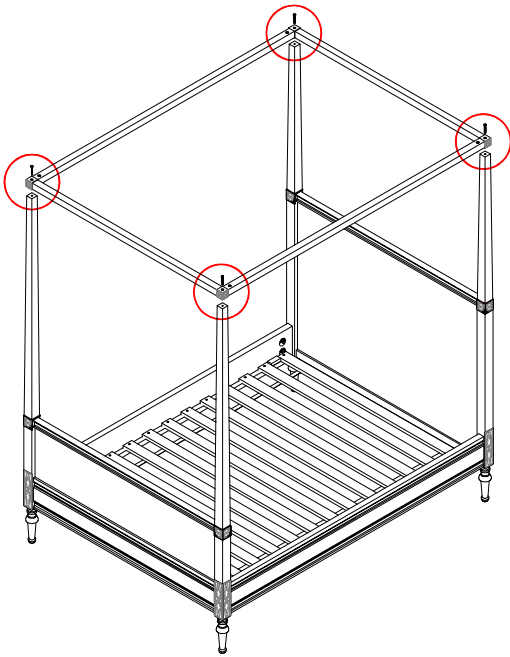
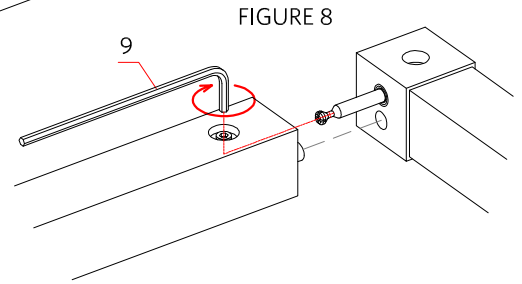
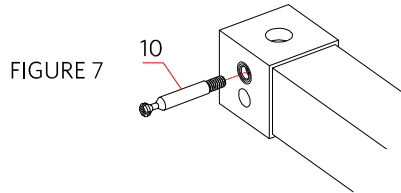
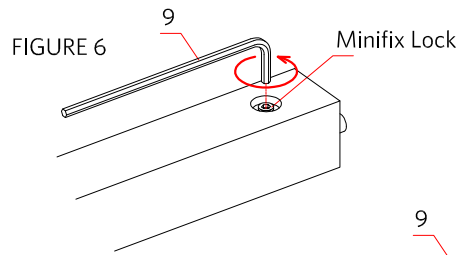
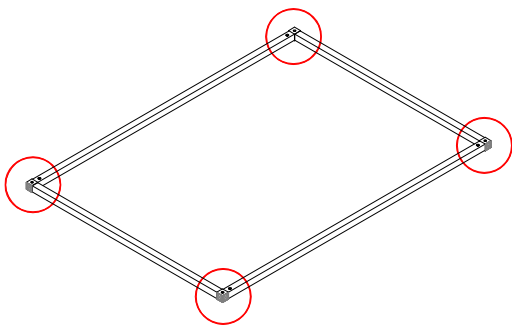


FIGURE 4



BELLINA CANOPY FULL/TWIN BED



CARE INSTRUCTIONS

1. Dust often using a clean, soft, dry and lint-free cloth.
2. Blot spills immediately and wipe with a clean, damp, cloth.
3. We do not recommend the use of chemical cleansers, abrasives or furniture polish on our lacquered finish.

IMPORTANT SAFETY INSTRUCTIONS

1. Please read all instructions carefully before assembling.
2. For your safety, assembly by two or more adults is strongly recommended.
3. Keep instructions for future use.
4. Use only vendor supplied hardware to assemble. Using unauthorized hardware could jeopardize the structural integrity of the item.