

RHBABY&CHILD

BELLINA CONVERSION CRIB - ASSEMBLY INSTRUCTIONS

Made in Vietnam

Distributed in the USA by:

RHBaby&Child

2900 North Macarthur Dr.

Tracy, CA 95376

USA

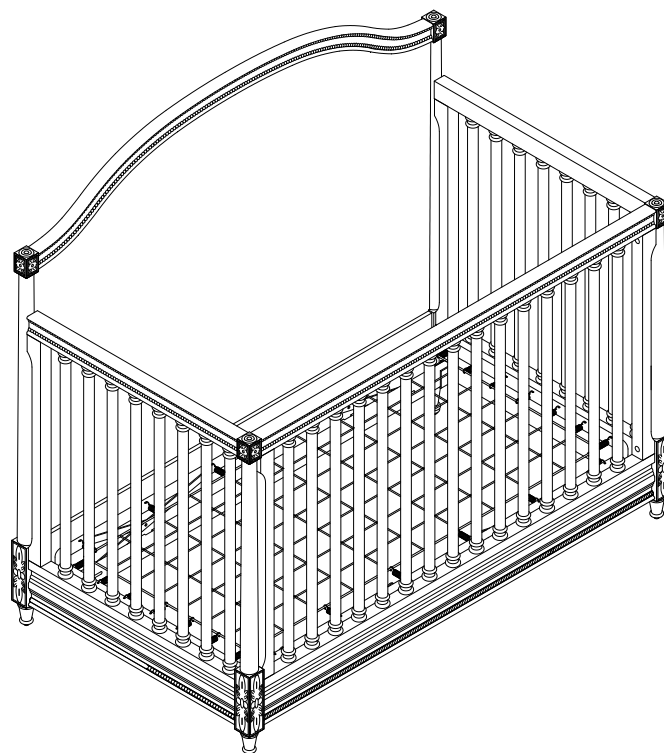
www.rhbabyandchild.com

Distributed in Canada by:

RH Canada, Inc.

1500-1055 West Georgia Street

Vancouver, British Columbia V6E4N7



WARNING: Read all instructions before assembling this product. **KEEP INSTRUCTIONS FOR FUTURE USE.**

CUSTOMER SERVICE

If you are missing parts or have any questions about this product, contact us first. You can also order parts by writing to the address above.

Include the product model number, color, and a brief description of the part. Or call 1-800-762-1751.

CARE AND CLEANING

DO NOT scratch or chip the finish. **DO NOT** use abrasive chemicals for cleaning. Dust often using a clean, soft, dry cloth.

Blot spills immediately and wipe with a clean, damp cloth. If the crib is to be stored, store in a cool, dry place and carefully package all original hardware to protect from loss.

TOOLS NEEDED

Allen key (included)

NOTE: Two people are recommended for assembly.

NOTE: When inserting bolts, turn clockwise until tight. Then loosen $\frac{1}{2}$ - $\frac{3}{4}$ of a turn. After crib is completely assembled, return to each bolt and tighten. Use wax or soap on all bolts to facilitate assembly.

IMPORTANT SAFETY INFORMATION FOR CRIBS



WARNING: Infants can suffocate on soft bedding. Never add a pillow or comforter. Never place additional padding under an infant.



WARNING: Failure to follow these warnings and the assembly instructions could result in serious injury or death.

- To reduce the risk of SIDS, pediatricians recommend healthy infants to be placed on their backs to sleep, unless otherwise approved by your physician.

Strangulation Hazard:

- Strings can cause strangulation! **DO NOT** place items with a string around a child's neck, such as hood strings or pacifier cords. **DO NOT** suspend strings over a crib or attach strings to toys.
- To help prevent strangulation, tighten all fasteners. A child can trap parts of his/her body or clothing on loose fasteners.
- **DO NOT** place crib near window where cords from blinds or drapes may strangle a child.

Fall Hazard:

- When a child is able to pull himself/herself to a standing position, set mattress to lowest position and remove bumper pads, large toys and other objects that could serve as steps for climbing out.
- When child is able to climb out or reaches the height of 35" (89cm), the crib should no longer be used, and the child should be placed in a youth or regular bed.
- Check this product for damaged hardware, loose joints, missing parts or sharp edges before and after assembly and frequently during use. Securely tighten loose bolts and other fasteners. **DO NOT** use crib if any parts are missing, damaged or broken. Contact customer service at 1-800-762-1751 for replacement parts and instructional literature if needed.
- **DO NOT** substitute parts.
- **DO NOT** use a water mattress with this crib.
- If refinishing, use a non-toxic finish specified for children's products.
- Follow warnings on all products in a crib.
- Never use plastic shopping bags or other plastic film as mattress covers because they can cause suffocation.
- Infants can suffocate in gaps between crib sides and a mattress that is too small.

IMPORTANT SAFETY INFORMATION FOR CRIBS

CAUTION: ANY MATTRESS USED IN THIS CRIB MUST BE AT LEAST 27 1/4" X 51 5/8" WITH A HEIGHT NOT EXCEEDING 6".



WARNING

Do not use this crib if you cannot exactly follow the instructions provided.

Do not use this crib for a child who can climb out of it or who is taller than 35" (89cm).

Do not place in or near the crib any cord, strap or similar item that could become wrapped around a child's neck.

Do not place this crib near a window or patio door where a child could reach the cord of a blind or curtain and be strangled.

Check this crib regularly before using it, and do not use if any part is loose or missing, or if there are any signs of damage.

Do not substitute parts. Contact the manufacturer if replacement parts or additional instructions are needed.

Children can suffocate on soft bedding. Do not place pillows, comforters or soft mattresses in this crib.

Use a mattress that is no more than 6" (15cm) in height and, when it is pushed firmly against any side of this crib, does not leave a gap of more than 1 3/16" (3cm) the mattress and any other side of the crib.

IMPORTANT SAFETY INFORMATION FOR TODDLER AND DAYBEDS



WARNING: ENTRAPMENT / STRANGULATION HAZARD

Infants have died in toddler beds from entrapment and strangulation. Failure to follow these warnings and the assembly instructions could result in serious injury or death.

NEVER use bed with children under 15 months of age.

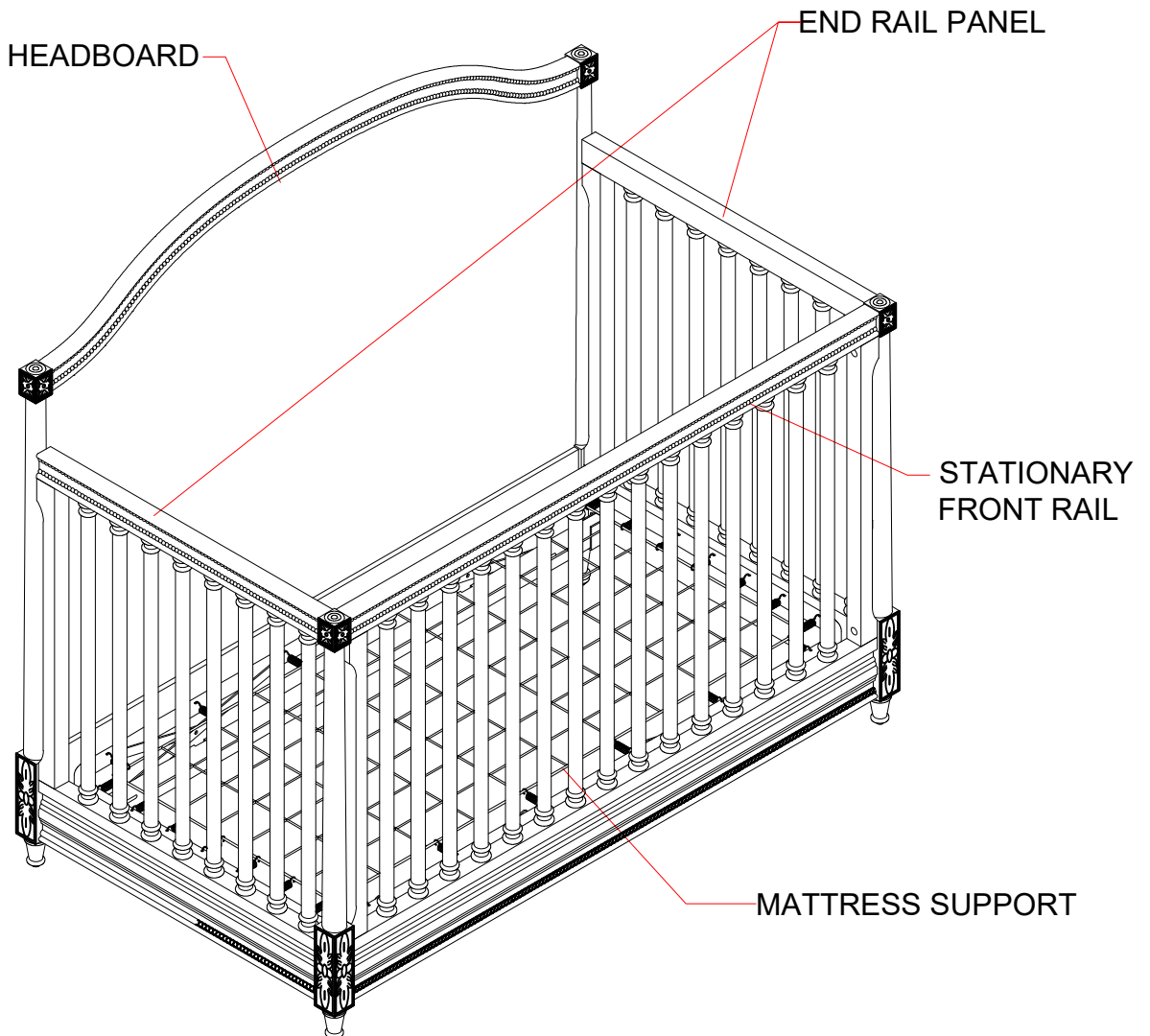
NEVER place bed near windows where cords from blinds or drapes may strangle a child.

- The mattress intended for use on the bed should be a full-size crib mattress having minimum dimensions of 51 5/8" (1310mm) in length, 27 1/4" (690mm) in width and 4" (100mm) in height, not exceeding 6" (152mm) in thickness.
- If guardrails are used to contain the mattress, the guardrail(s) provided must be used to avoid the formation of a gap between the mattress and the bed that could cause an entrapment.
- **DO NOT** place bed near windows where cords from blinds or drapes may strangle a child.
- **DO NOT** place items with a string, cord, or ribbon around a child's neck, such as hood strings or pacifier cords.
- **DO NOT** suspend strings over a toddler bed for any pacifier cords.
- A child using the toddler or daybed should be at least 15 months of age and should not weigh more than 50 lbs (22.7kgs).

PARTS IDENTIFICATION

For ease of identification, all parts are labeled to correspond to the step number in which the part is used.

- Step 1 Leg assembly to Headboard and End Rail Panel.
Headboard, Footboard and End Rail Panel assembly (Page 6).
- Step 2 Mattress Support and Stabilizer Rail assembly.
Mattress height adjustment (Page 7).
- Step 3 Stabilizer Rail & End Rail Panel assembly (Page 8).
- Step 4 Stationary Front Rail assembly (Page 9).
- Step 5 Toddler Rail assembly (Page 10).
- Step 6 Metal bed frame assembly (Page 11)



STEP 1

LEG ASSEMBLY TO HEADBOARD & END RAIL PANEL.

HEADBOARD, FOOTBOARD & END RAIL PANEL ASSEMBLY.

STEP 1.1

Gently lay the headboard and end rail panel on a clean and non-abrasive surface.

STEP 1.2

Align and insert the threaded rod of the Legs into the hole on the bottom of the headboard and end rail panel and turn clockwise to tighten. See DETAIL A.

STEP 1.3

Bring the headboard and end rail panel in upright position.

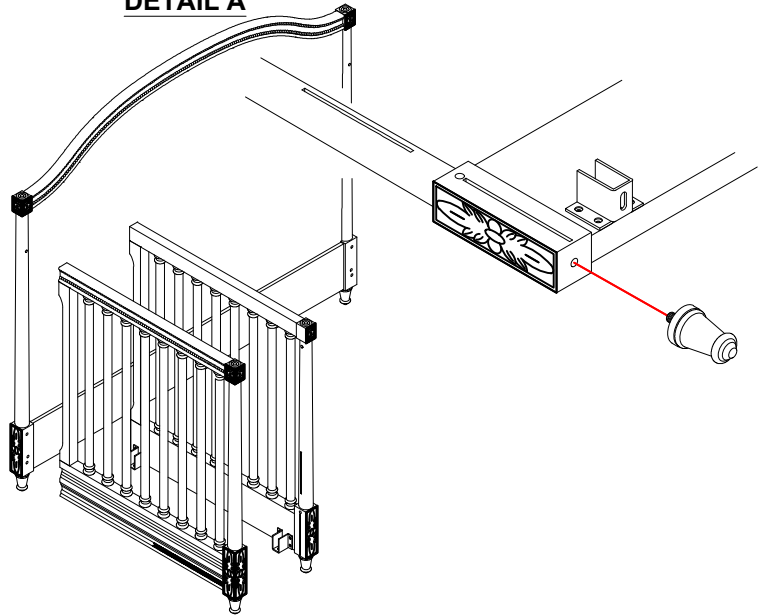
NOTE:

on both end of the headboard are holes for the bolt to pass through that correspond to the holes located on both ends of the end rail panel with pre-installed nuts.

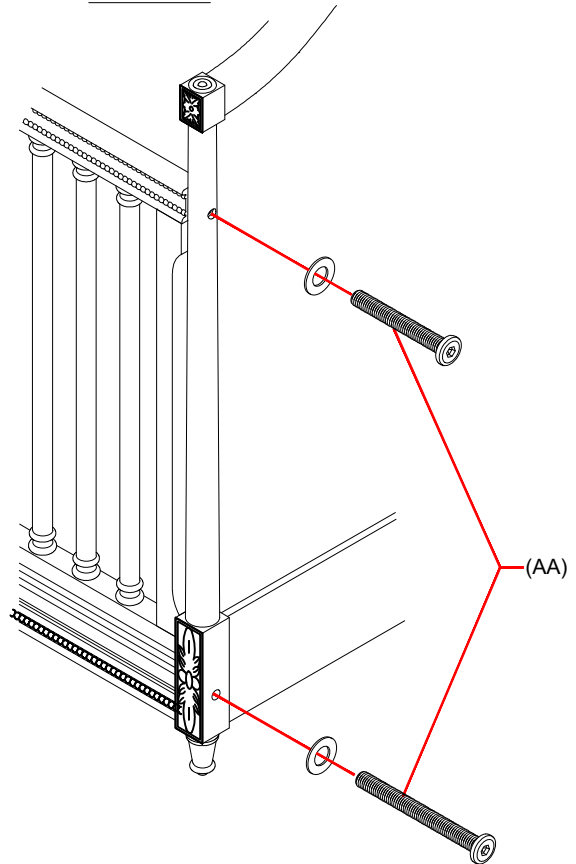
STEP 1.4

Align the hole of the end rail panel with the holes of the headboard then insert allen bolt into hole and tighten with allen wrench provided. See DETAIL B.

DETAIL A

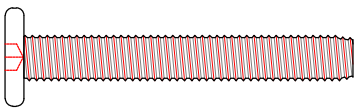


DETAIL B



HARDWARE NEEDED FOR STEP 1

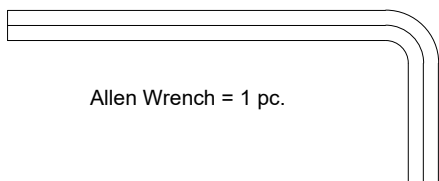
(AA) 1/4" x 1 3/4" Allen Bolt = 4 pcs.



Lock Washer = 4 pcs.



Plain Washer = 4 pcs.



Allen Wrench = 1 pc.

STEP 2

MATTRESS SUPPORT ARM ASSEMBLY

STABILIZER RAIL ASSEMBLY

MATTRESS HEIGHT ADJUSTMENT

STEP 2.1

Lay mattress support flat with stabilizer rail on each side.

NOTE:

On each end of the arm of the mattress support, there is a hole for the bolt to pass through that corresponds to the holes located in the frame of the mattress support.

STEP 2.2:

Insert the bolt into the desired hole of the frame through the hole on the arm support. Fasten the bolt with plain washer, lock washers & hexagonal nut provided. Repeat procedure on other arms of the mattress support. See **DETAIL C**.

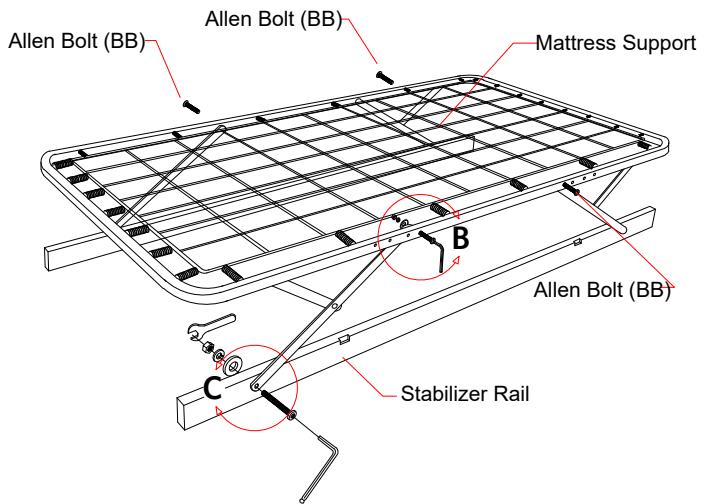
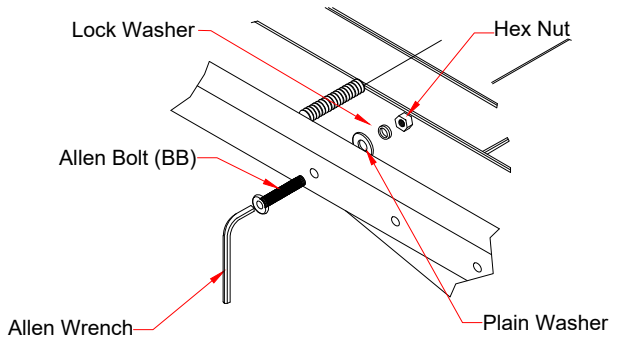
WARNING:

Set the mattress support to the desired height by adjusting the support arms. The mattress support should be at its highest setting for newborns, then adjusted to the lower positions as the child grows and becomes mobile. Once the child is able to stand, the mattress support should be at its lowest position.

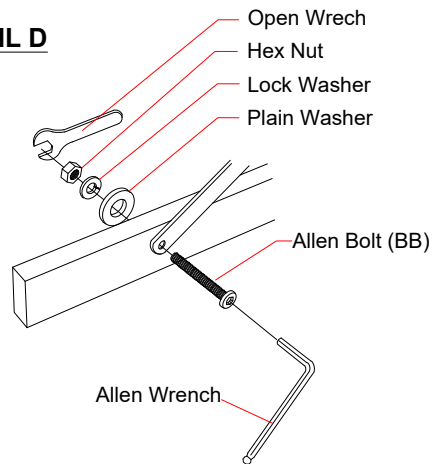
STEP 2.3

Install the stabilizer rail at ends of the arm support, as illustrated in **DETAIL D**.

DETAIL C

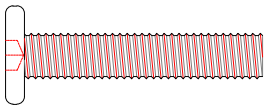


DETAIL D

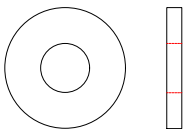


HARDWARE NEEDED FOR STEP 2

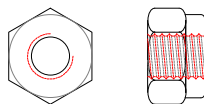
(BB) 1/4" x 1 1/4" Allen Bolt = 8 pcs.



Plain Washer = 8 pcs.



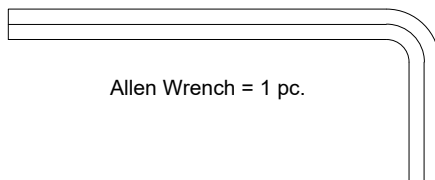
Hex Nut = 8 pcs.



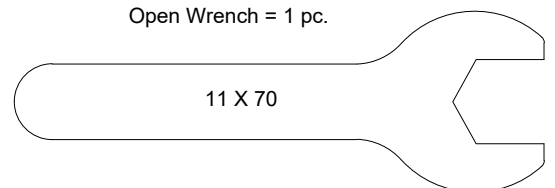
Lock Washer = 8 pcs.



Allen Wrench = 1 pc.



Open Wrench = 1 pc.



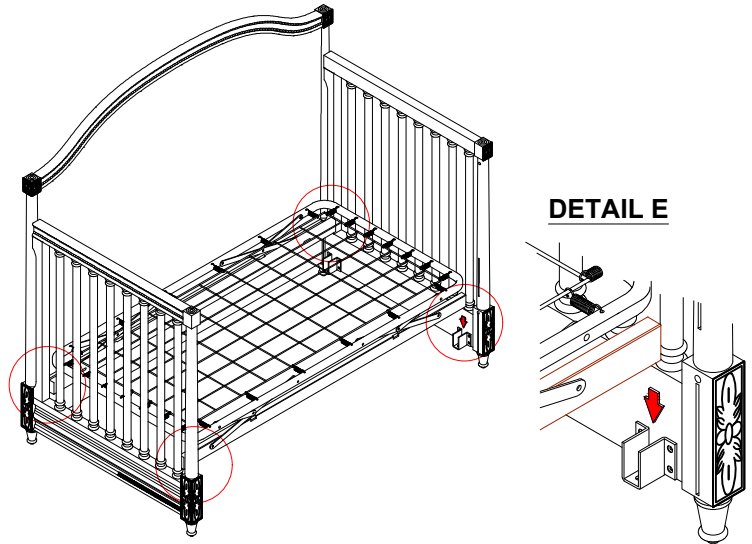
**STEP 3
STABILIZER RAIL END RAIL PANEL ASSEMBLY**

STEP 3.1

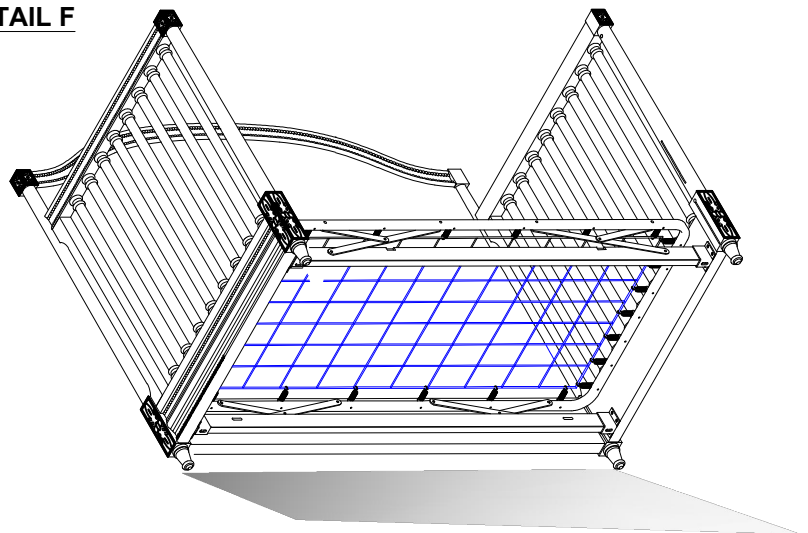
On inside face of both side panels are pre-installed metal brackets, designed to hold the stabilizer rails. Set both ends of the stabilizer rails into brackets, as illustrated in **DETAIL E**.

STEP 3.2

Once the stabilizer rails are set, gently tilt the crib as illustrated in **DETAIL F**, then fasten the stabilizer rails with bolt together with plain washer and lock washer provided, as illustrated in **DETAIL G**.

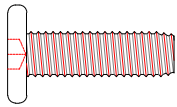


DETAIL F



HARDWARE FOR STEP 3

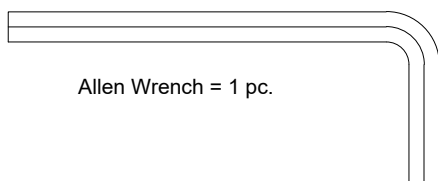
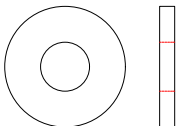
(CC) 1/4" x 13/16" Allen Bolt = 4 pcs.



Lock Washer = 4 pcs.

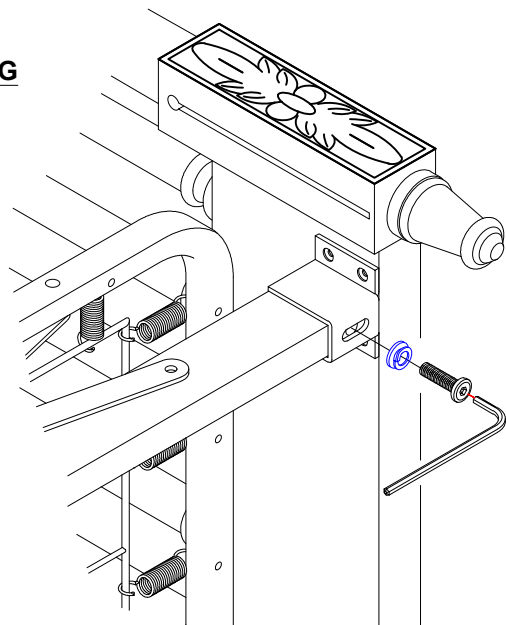


Plain Washer = 4 pcs.



Allen Wrench = 1 pc.

DETAIL G



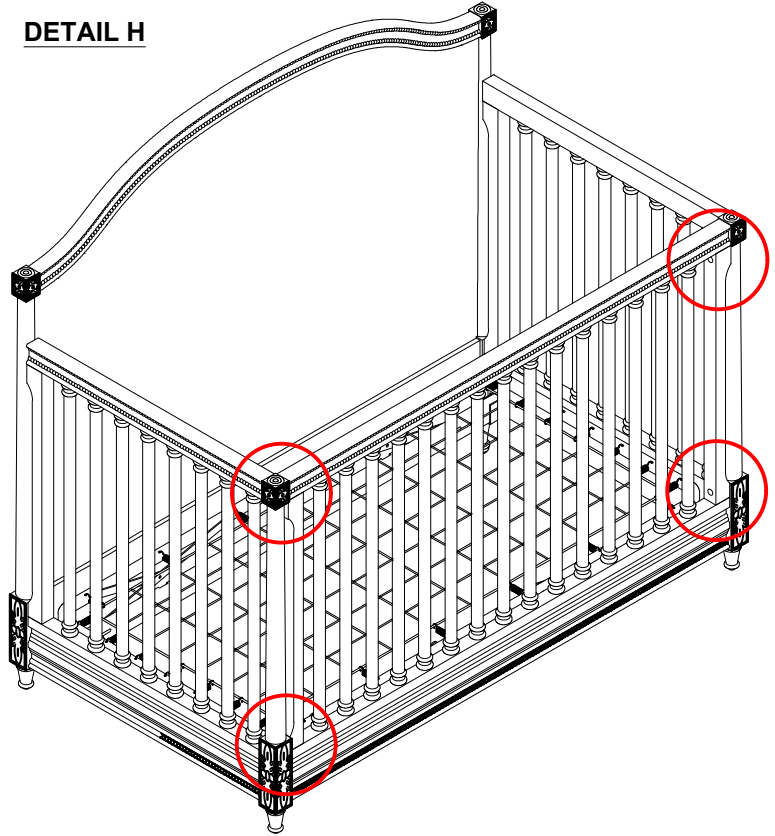
STEP 4 FRONT RAIL ASSEMBLY

STEP 4.1

On both ends of the end rail panel are holes for the bolt to pass through which correspond to the holes on the posts of both end rail panel with pre-installed nuts. Align the holes of the front rail panel into the end rail panels then engage allen head bolt in each hole and tighten with allen wrench provided, as in **DETAIL H & DETAIL I**.

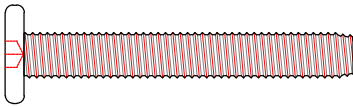
After assembly, re-tighten all bolts to a snug fit. **DO NOT OVER TIGHTEN.**

DETAIL H



HARDWARE FOR STEP 4

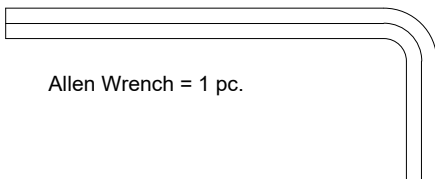
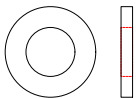
(AA) 1/4" x 1 3/4" Allen Bolt = 4 pcs.



Lock Washer = 4 pcs.

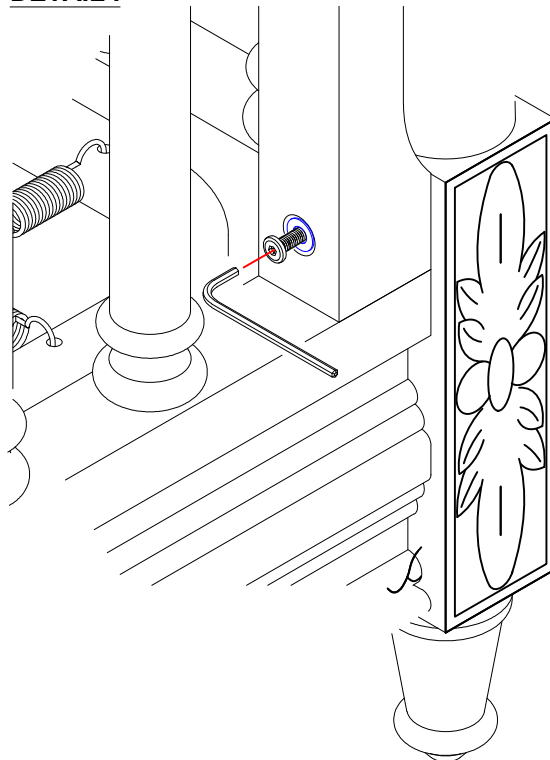


Plain Washer = 4 pcs.



Allen Wrench = 1 pc.

DETAIL I



**STEP 5
TODDLER RAIL ASSEMBLY**

STEP 5.1

Remove the front rail panel of the crib by loosening all the bolts installed.

STEP 5.2

Gently tilt the crib and release the bolts underneath the metal brackets holding the stabilizer rails.

STEP 5.3

Gently remove the mattress support and slightly loosen the bolt at the back of the headboard that enough to set the toddler rail in-between end rail panel.

NOTE: Fill the holes located on the top of the end rail panel by inserting bolt (EE) provided.

STEP 5.4

On inside face of both end rail panels there is a cavity for the hook which corresponds to the hook on both ends of the toddler rail. Align and insert the hook of the toddler rail into the cavity of the end rail panel, as in **DETAIL J**.

NOTE: If mattress support is not in the lowest position, unscrew mattress support bolts and move the lowest position.

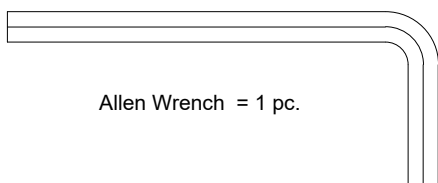
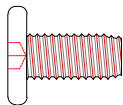
STEP 5.5

Repeat step 3. Installation of stabilizer rails into the end rail panel (**DETAIL K**).

After assembly, re-tighten all bolts to a snug fit.

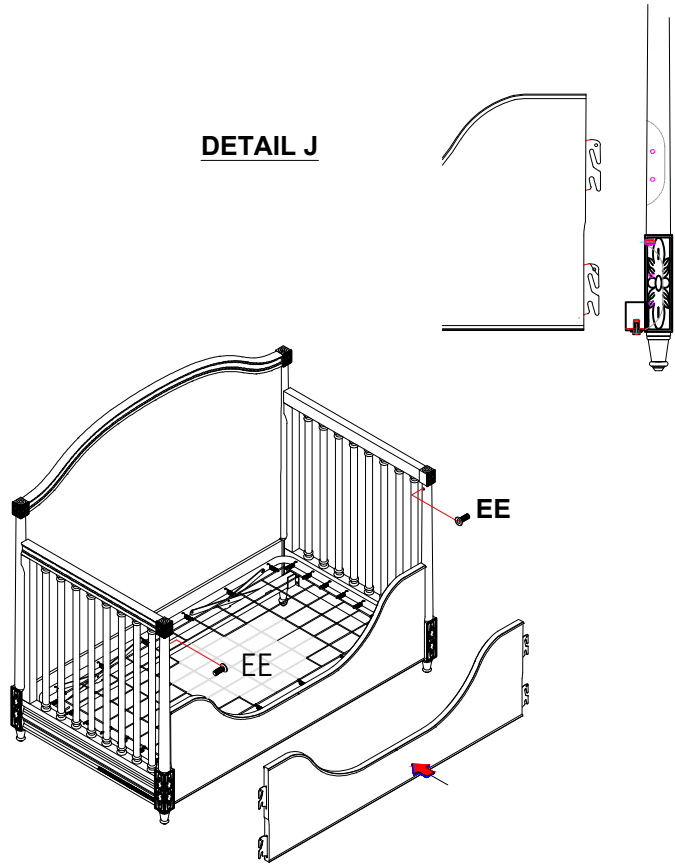
**HARDWARE FOR STEP 5
(PACKED INSIDE TODDLER RAIL BOX)**

(EE) 1/4" x 1/2" Allen Bolt = 2 pcs.

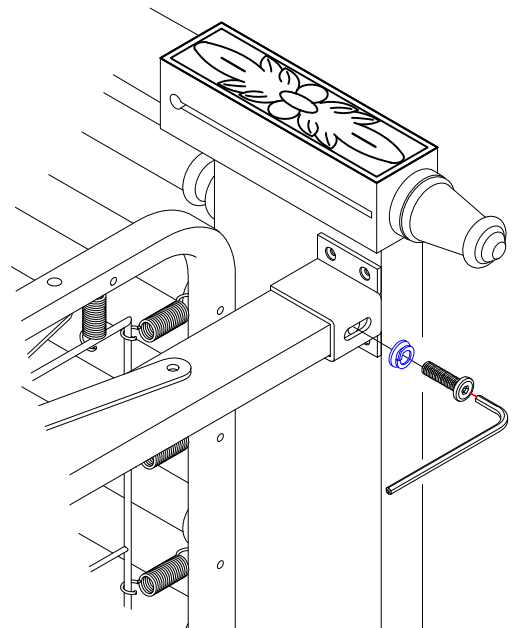


Allen Wrench = 1 pc.

DETAIL J



DETAIL K



STEP 6

METAL BED FRAME ASSEMBLY

STEP 6.1

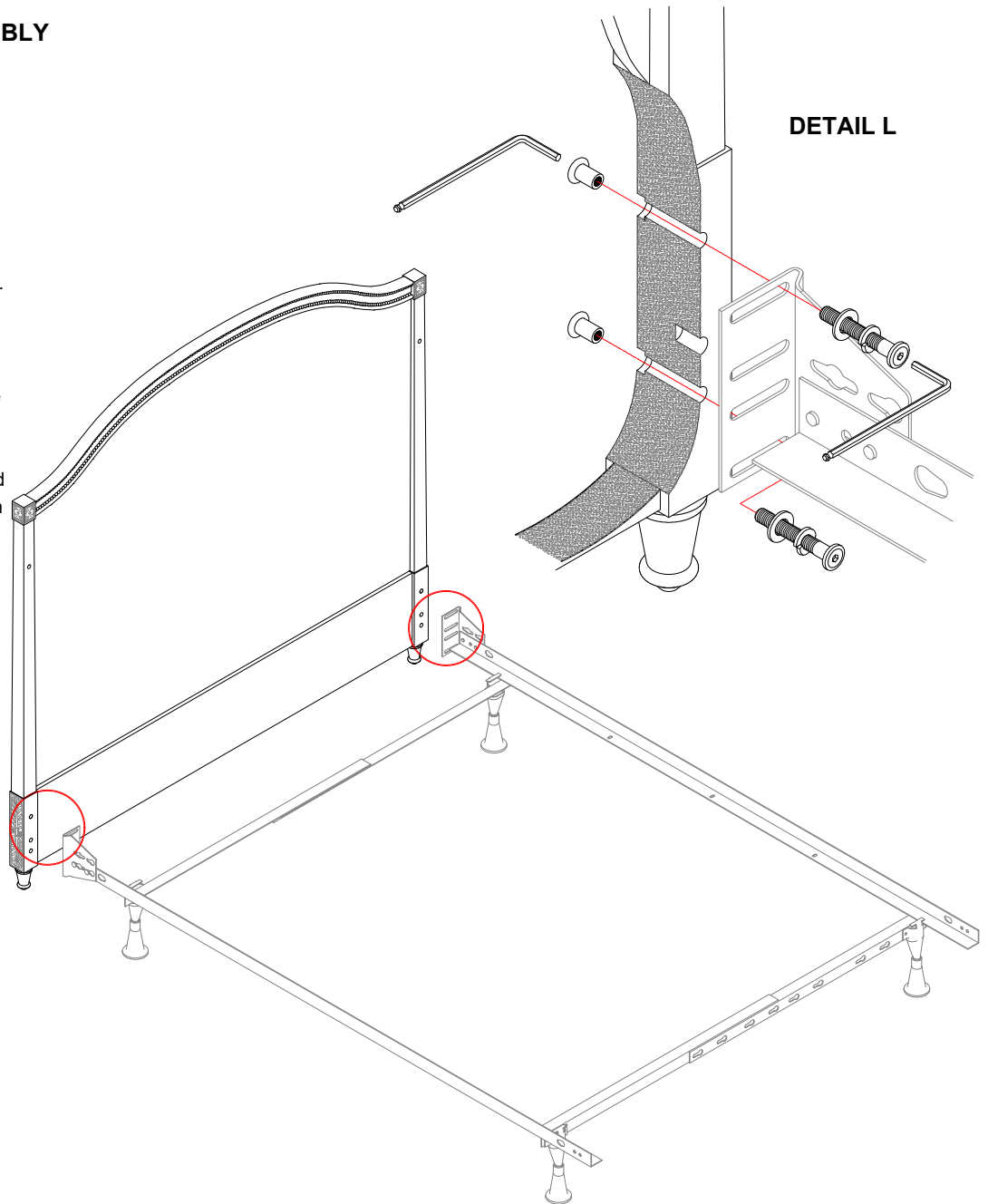
Loose all the bolts in crib to disassemble the crib.

STEP 6.2

Bring the headboard in upright position.

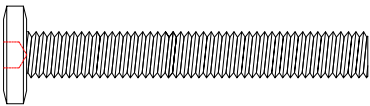
STEP 6.3

On the bottom of the headboard there are holes for the bolt to pass through that correspond to the holes on the metal bed frame. Attach the metal bed frame to the headboard by using allen bolts (FF) with lock washers and plain washers into the sleeve nut on the other side. See **DETAIL L**.



HARDWARE NEEDED FOR STEP 6

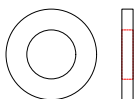
(FF) M6 x 45mm Allen Bolt = 4 pcs.



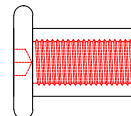
Lock Washers = 4 pcs.



Plain Washers = 4 pcs.



Sleeve Nut M6 = 4 pcs.



Allen Wrench = 2 pcs.

