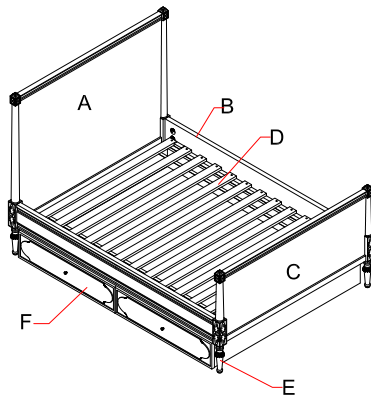


RH BABY & CHILD

BELLINA TRUNDLE TWIN/FULL BED INSTRUCTIONS

PARTS INCLUDED

- A [1] HEADBOARD
- B [2] SIDE RAILS
- C [1] FOOTBOARD
- D [1] SET OF BED SLATS
- E [4] LEGS
- F [1] TRUNDLE



NO.	ITEM	DESCRIPTION	QTY.
1		Threaded Rod	8 pcs.
2		Curved Washer	8 pcs.
3		Lock Washer	8 pcs.
4		Hex Nut	8 pcs.
5		Wrench	1 pc.
6		Phillips Screws	26 pcs.

ASSEMBLY INSTRUCTIONS

1. Gently lay the Headboard (A) and footboard (C) on a plain and non-abrasive surface.

NOTE: on the bottom of headboard (A) and footboard (C) are holes with pre-installed nuts that correspond to the threaded rods pre-installed in the leg.

2. Align and insert the threaded rod of the leg (E) into the hole and turn clockwise to tighten, as illustrated in FIGURE 1.
3. Place the headboard (A) upright in the position you wish the bed to be in when fully assembled. The headboard bed fast hardware should be facing inside, toward the mattress. Secure the threaded rod (1) to the fixed nut in the headboard (A) by simply turning it manually. Raise the side rail (B) up and place the rod (1) to align with the bore holes on the end of the side rails (B). Put the side rails (B) up against the headboard (A) so the threaded rods go through the bore holes. Insert curved washer (2) and lock washer (3), place hex nuts (4) on threaded rod (1) and tighten hex nuts (4) with wrench (5), as illustrated in FIGURE 2.
4. Repeat the above procedure with the other side rail (B) to attach it to the headboard (A), and then repeat to connect side rails (B) to the footboard (C).

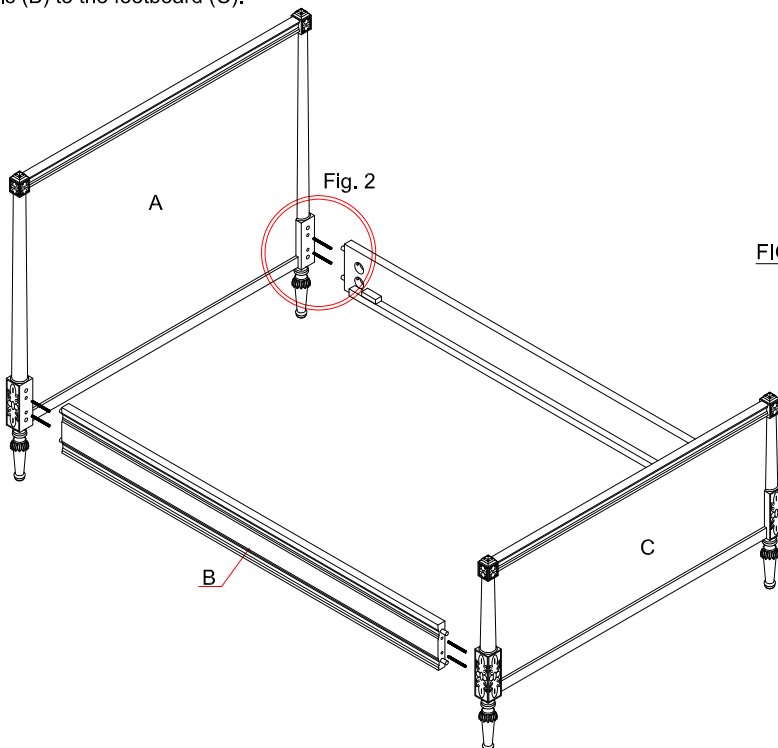
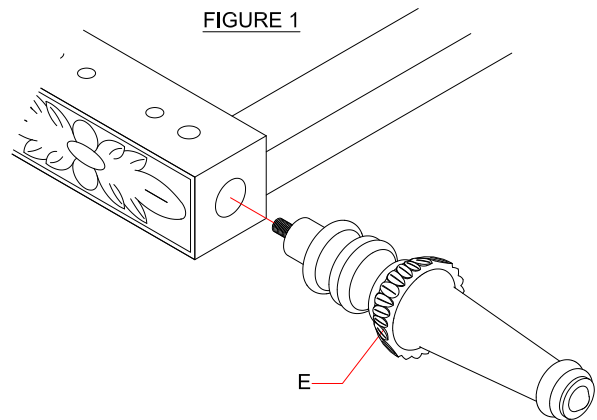
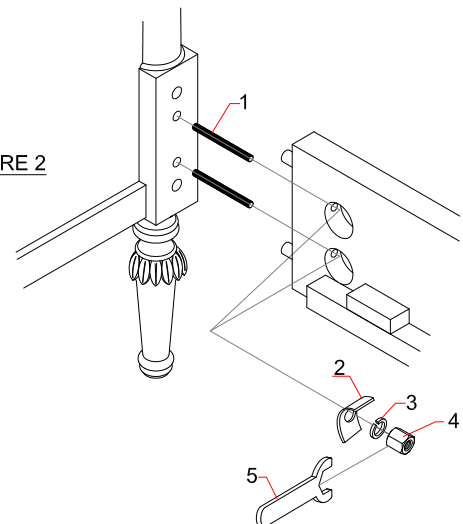


FIGURE 2

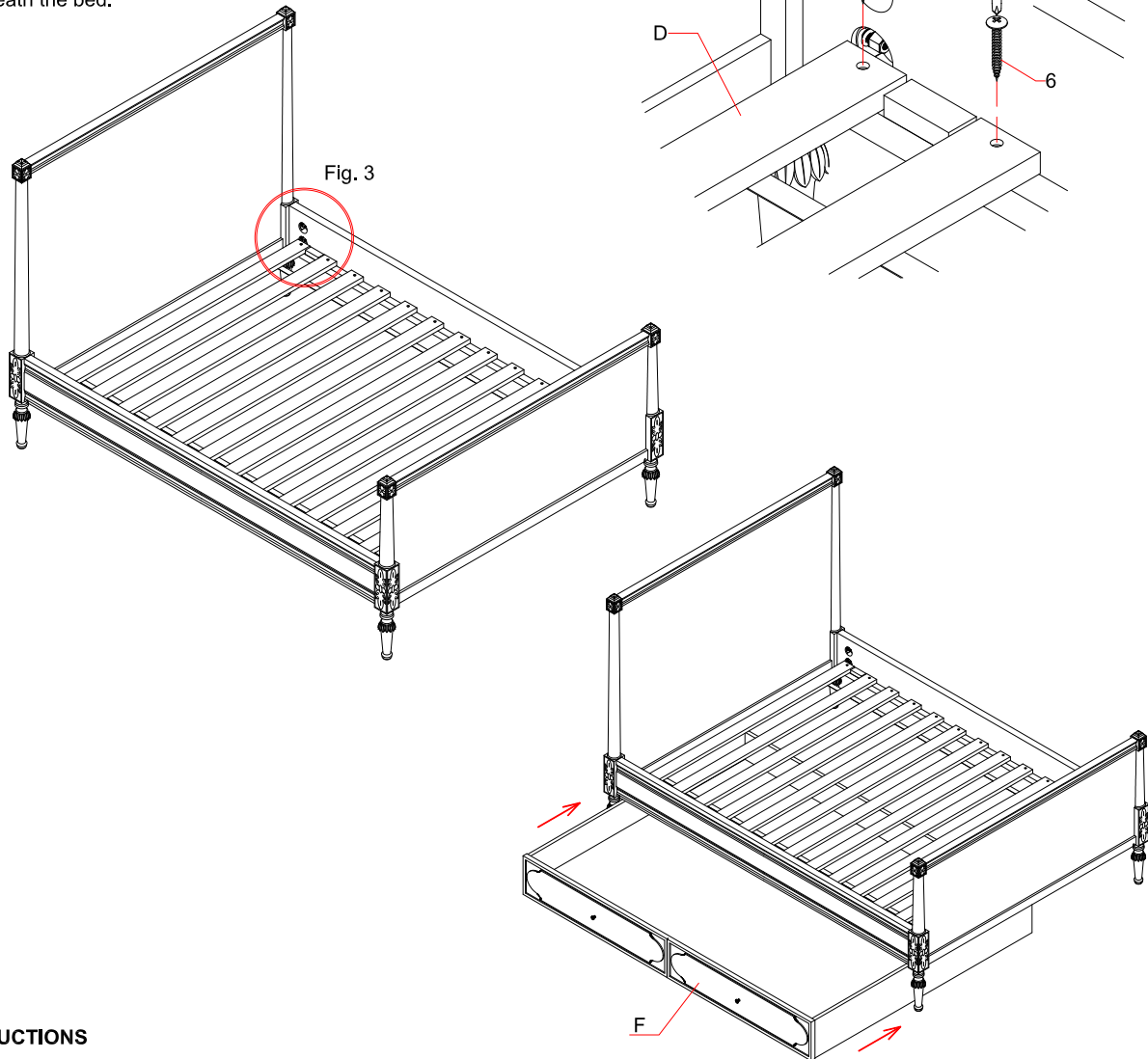
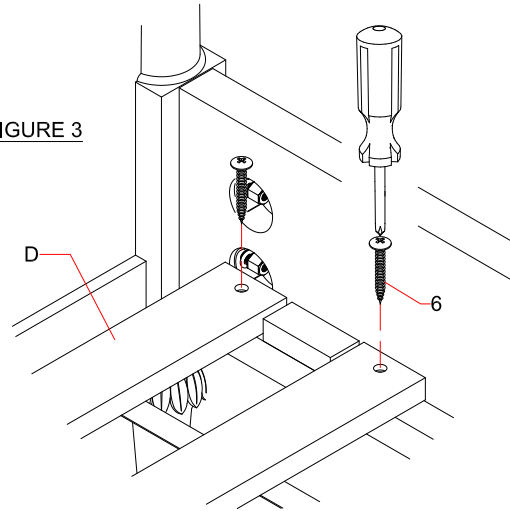


RH BABY & CHILD

BELLINA TRUNDLE TWIN/FULL BED INSTRUCTIONS

- On inside surface of both side rails (B) are pre-installed wooden stopper cleats designed to hold the set of bed slats (D). Place bed slats (D) on both sides of the side rails (B), with the second to the last slat on either side of the stopper cleat, to hold the slats in place. Once the slats (D) are set secure this with screws (6) provided, as in FIGURE 3.
- After assembly, slide the optional Trundle (sold separately) underneath the bed.

FIGURE 3



CARE INSTRUCTIONS

- Dust often using a clean, soft, dry and lint-free cloth.
- Blot spills immediately and wipe with a clean, damp, cloth.
- We do not recommend the use of chemical cleansers, abrasives or furniture polish on our lacquered finish.

IMPORTANT SAFETY INSTRUCTIONS

- Please read all instructions carefully before assembling.
- For your safety, assembly by two or more adults is strongly recommended.
- Keep instructions for future use.
- Use only vendor supplied hardware to assemble. Using unauthorized hardware could jeopardize the structural integrity of the item.