


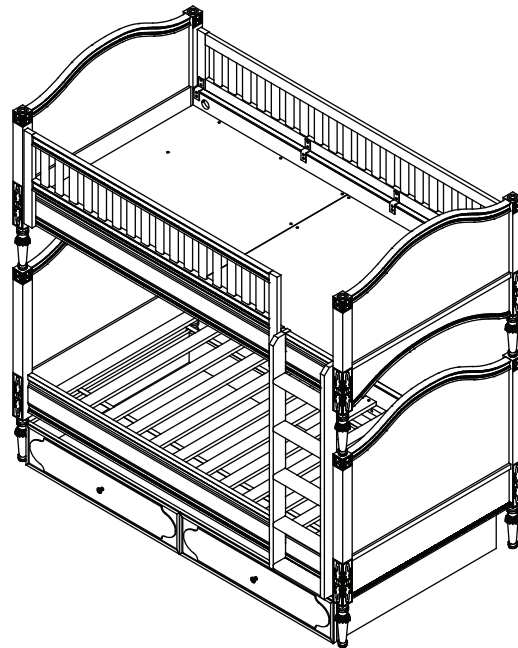
All Restoration Hardware Bunk Beds are designed to meet the highest safety standards and comply with all U.S. and Canadian Bunk Beds regulations.

Made in Vietnam  
Distributed in the U.S.A. by:  
Restoration Hardware Baby & Child  
11640 Harrel St. Suite B  
Mira Loma, CA 91752  
www.rhbabyandchild.com

MODEL NO. 105014  
"BELLINA TWIN OVER TWIN  
BUNK BED"

Distributed in Canada by:  
Restoration Hardware Canada, Inc.  
1500-1055 West Georgia Street  
Vancouver, British Columbia V6E4N7

 **WARNING:** Read all instructions before assembling this product. **KEEP INSTRUCTIONS FOR FUTURE USE.**



#### CUSTOMER SERVICE

If you are missing parts or have any questions about this product, contact us first. You can also order parts by writing to the address above. Include the product model number, color, and a brief description of the part.  
Call 1-800-762-1751.

#### CARE AND CLEANING

**DO NOT** scratch or chip the finish. **DO NOT** use abrasive chemicals for cleaning. Dust often using a clean, soft, dry cloth. Blot spills immediately and wipe with a clean damp cloth. If the crib is to be stored, store in a cool dry place and carefully package all original hardware to protect from loss.

#### TOOLS AND INSTALLATION

Tools Necessary: Allen Key (included)

Note: It may be easier to assemble product with two people.

**NOTE:** When inserting bolts, turn clockwise until tight. Then loosen  $\frac{1}{2}$  -  $\frac{3}{4}$  of a turn. After bunks is completely assembled, return to each bolt and tighten. Use wax or soap on all bolts to facilitate assembly.

# IMPORTANT SAFETY INFORMATION FOR BUNK BED

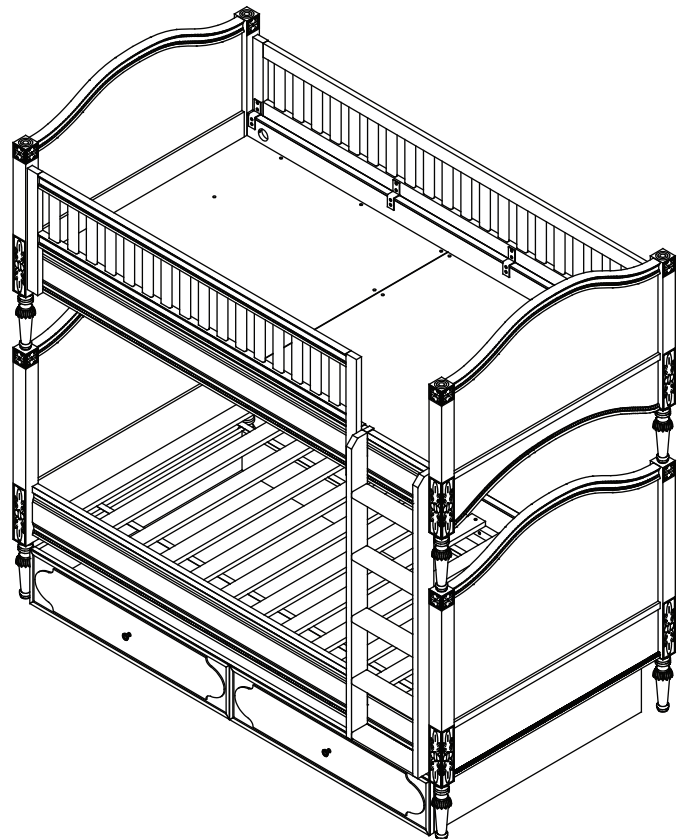
1. Follow the information on the WARNINGS appearing on the upper bunk end structure and on the carton.
2. Always use the specified size mattress or mattress support, or both to help prevent the likelihood of entrapment or falls.
3. Surface of mattress must be at least 5 inches below the upper edge of guardrails on top bunk.
4. Do not allow children under 6 years of age to use the upper bunk.
5. Prohibit more than one person on upper bunk.
6. Periodically check and ensure that the guardrails, ladder, and other components are in their proper position, free from damage, and that all connectors are tight.
7. Do not allow horseplay on or under the bed and prohibit jumping on the bed.
8. Always use the ladder for entering and leaving the upper bunk.
9. Do not use substitute parts. Contact Restoration Hardware for replacement parts.
10. Use of a night light may provide added safety precaution for a child using the upper bunk.
11. Use guardrails on both sides of the upper bunk.
12. If the bunk bed will be placed next to a wall, the guardrail that runs the full length of the bed should be placed against the wall to prevent entrapment between the bed and the wall.
13. The use of water flotation mattress is prohibited.
14. **STRANGULATION HAZARD** - Never attach or hang items to any part of the bunk bed that are not designed for use with the bed: for example, but not limited to, hooks, belts, and jump ropes
15. Keep these instructions for future reference.

## WARNING

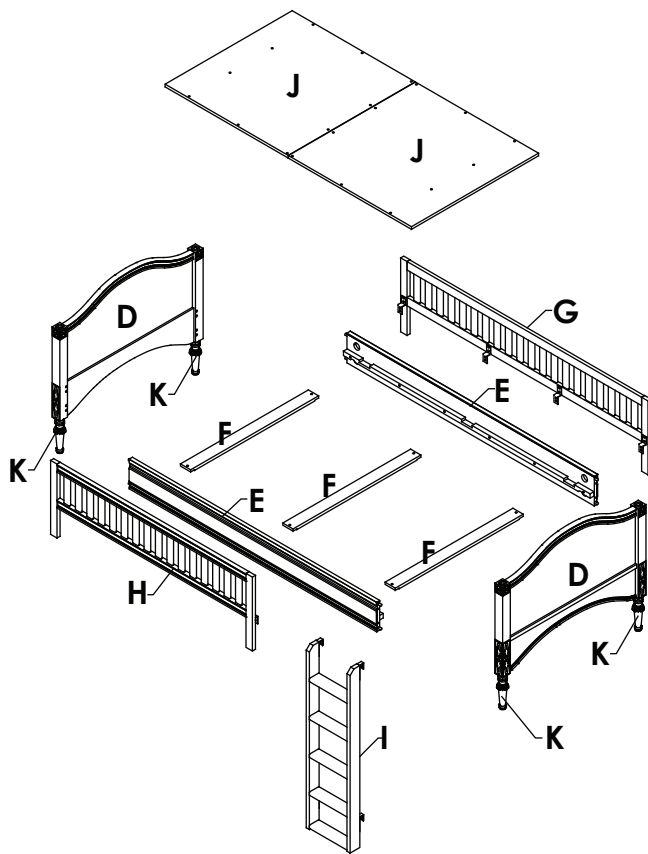
To help prevent serious or fatal injuries from entrapment of falls:

- Never allow a child under 6 years on upper bunk.
- Use only mattress which is 74"-75" long and 37 $\frac{1}{2}$ "-38 $\frac{1}{2}$ " wide on upper bunk.
- Ensure thickness of mattress and foundation combined does not exceed 9.5" and mattress is at least 5" below upper edge of guardrails.
- Use guardrails on both sides of upper bunk.
- Prohibit horseplay on or under bed(s).
- Prohibit more than one person on upper bunk.
- Use ladder for entering and leaving upper bunk.
- **STRANGULATION HAZARD** - Never attach or hang items to any part of the bunk bed that are not designed for use with the bed; for example, but not limited to, hooks, bells, and jump ropes.

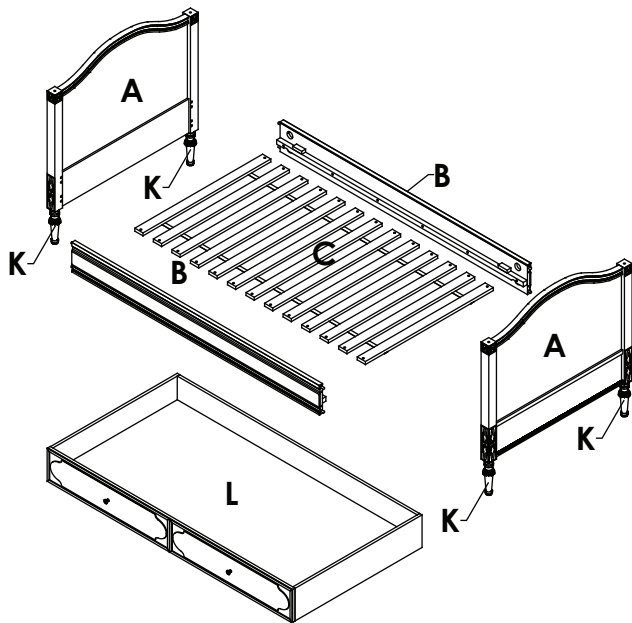
DO NOT REMOVE THIS LABEL











# COMPONENT IDENTIFICATION AND HARDWARE



COMPONENTS		QTY
A	LOWER END PANELS	2 PCS
B	LOWER SIDE RAILS	2 PCS
C	SLAT ROLL	1 SET
D	UPPER END PANELS	2 PCS
E	UPPER SIDE RAILS	2 PCS
F	SLAT SUPPORTS	3 PCS
G	BACK GUARD RAIL	2 PCS
H	FRONT GUARD RAIL	1 PC
I	LADDER	1 PC
J	TWIN PANELS	1 PC
K	LEGS	8 PCS
L	TRUNDLE (SOLD SEPARATELY)	1 PC



NO	DESCRIPTION	QTY
1	 Threaded Rods	16 PCS
2	 CURVED WASHER	16PCS
3	 LOCK WASHER	16 PCS
4	 HEXAGONAL NUT	16 PCS
5	 PHILLIPS WOOD SCREW 30MM	26 PCS
6	 PHILLIPS WOOD SCREW 25MM	26 PCS
7	 PHILLIPS WOOD SCREW 20MM	32 PCS
8	 METAL BRACKET	4 PCS
9	 STEEL DOWELS	4 PCS
10	 OPEN WRENCH	1 PC
11	 WOODEN CAP	4 PCS

**ASSEMBLY INSTRUCTIONS:**

- STEP #1. LEG ASSEMBLY
- STEP #2. LOWER BUNK BED ASSEMBLY
- STEP #3. INSTALLATION OF LOWER BUNK BED SLAT ROLL
- STEP #4. UPPER BUNK BED ASSEMBLY
- STEP #5. SLAT SUPPORT INSTALLATION TO UPPER SIDE RAILS
- STEP #6. ATTACHMENT OF TWIN PANELS TO SLAT SUPPORTS AND UPPER SIDE RAILS
- STEP #7. INSTALLATION OF FRONT AND BACK GUARD RAILS TO UPPER BUNK BED
- STEP #8. BUNK BED ASSEMBLY
- STEP #9. LADDER ASSEMBLY
- STEP #10. METAL BRACKET INSTALLATION AND OPTIONAL TRUNDLE
- STEP #11. ASSEMBLY OF BUNK AS TWO TWIN BEDS

**IMPORTANT**

These bed parts can be cumbersome and heavy to some people, therefore the assistance of two or more people is recommended in order to prevent personal injury and ensure the bed parts are not damaged during the assembly process.

**STEP #1  
LEG ASSEMBLY**

**STEP #1.1**  
Gently lay down the Lower End Panels (A) and Upper End Panels (D) on a plain and non-abrasive surface.

Note: On the bottom of both end panels are holes (A,D) with pre-installed nuts that correspond to the Threaded Rods pre-installed in the Legs (K).

**STEP #1.2**  
Align and insert the Threaded Rods of the Legs (K) into the holes and turn clockwise to tighten as illustrated in FIGURE 01.

**STEP #2  
LOWER BUNK BED ASSEMBLY**

**STEP #2.1**  
Place the Lower End Panels (A, taller set) upright in the position you wish the bed to be in when fully assembled. The Lower End Panel's hardware should be facing inwards. Secure the Threaded Rod (1) to the Fixed Nut in both Lower End Panels (A) by simply turning manually. Raise the Lower Side Rail (B) up and place the Threaded Rod (1) to align with the bore holes on the end of the Lower Side Rails (B). Place the Lower Side Rails (B) up against the End Panels (A) so the Threaded Rods (1) go through the bore holes. Insert Curved Washer (2) and Lock Washer (3), then engage Hex Nuts (4) onto Threaded Rod (1) and tighten Hex nuts (4) with Open Wrench (10), as illustrated in FIGURE 02.

**STEP #2.2**  
Repeat the above procedure with the other Lower Side Rail (B).

FIGURE 01

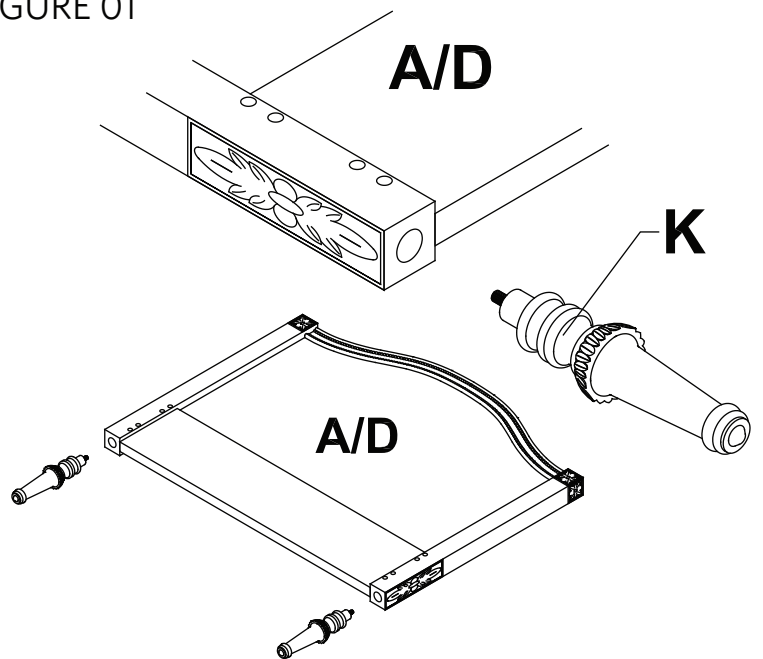
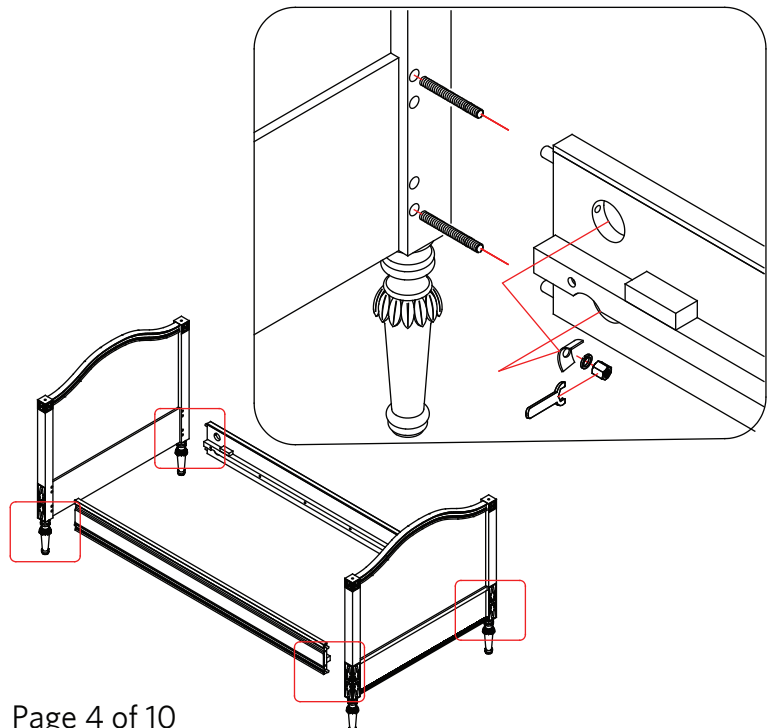


FIGURE 02



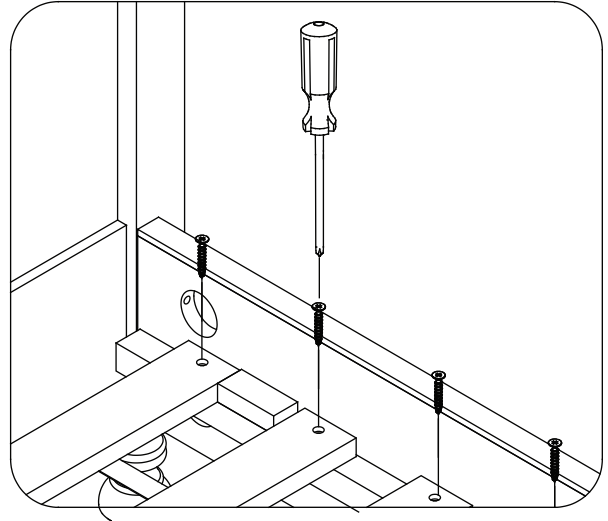
## STEP #3.

### INSTALLATION OF LOWER BUNK BED SLAT ROLL

#### STEP #3.1

On the ends of the Slat Roll (C) are pre-bored screw holes (5). Set the Slat Roll into the cleats of the Lower Side Rails (B) and secure the Slat Roll (C) with Phillips Screws (5) provided. Please see FIGURE 03.

FIGURE 03



## STEP #4.

### UPPER BUNK BED ASSEMBLY

#### STEP #4.1

Place the Upper Bunk End Panels (D, shorter set) in upright position. The Upper End Panel hardware should be facing inwards. Secure the Threaded Rod (1) to the Fixed Nut in both Upper End Panels (D) by simply turning it manually. Raise the Upper Side Rail (E) up and place the Threaded Rod (1) to align with the bore holes on the end of the Upper Side Rails (E). Place the Upper Side Rails (E) up against the Upper End Panels (D) so the Threaded Rods go through the bore holes. Insert Curved Washer (2) and Lock Washer (3), then engage Hex Nuts (4) on Threaded Rods (1) and tighten Hex Nuts (4) with Open Wrench (10), as illustrated in FIGURE 04.

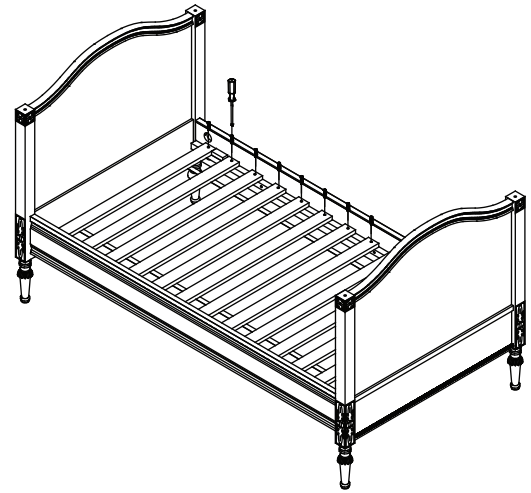
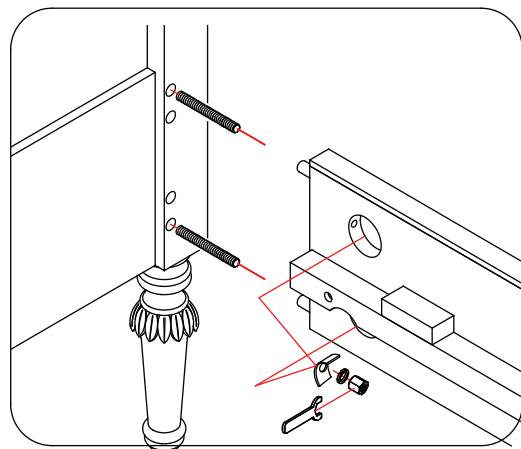
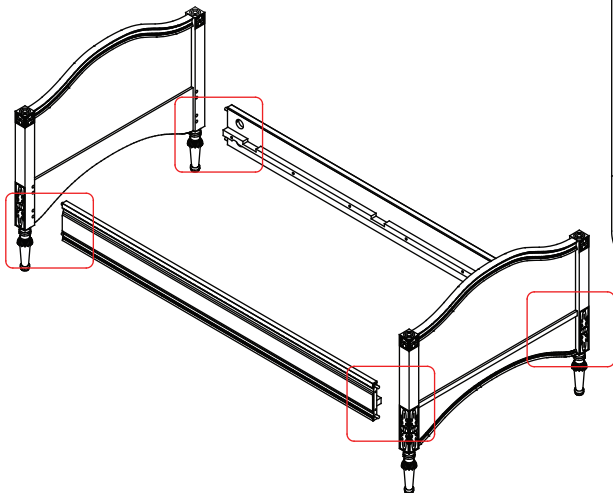


FIGURE 04

#### STEP #4.2

Repeat the above procedure with the other Upper Side Rail (E).



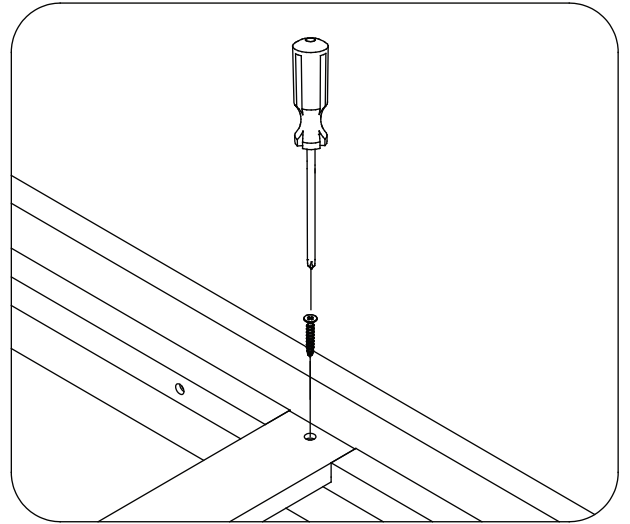
## STEP #5.

### SLAT SUPPORT INSTALLATION TO UPPER SIDE RAILS

#### STEP #5.1

On the inside surface of the Upper Side Rails (E) are cavities designed to hold the Slat Supports (F). Attach the Slat Supports (F) to both Upper Side Rails (E) and secure with Phillips Wood Screws (6) provided. Please see FIGURE 05.

FIGURE 05



## STEP #6.

### ATTACHMENT OF TWIN PANELS TO SLAT SUPPORTS AND UPPER SIDE RAILS

#### STEP #6.1

Lay the two Twin Panels (J) on top of assembled upper bunk bed and secure these with Phillips Wood Screws (6) provided as in FIGURE 06.

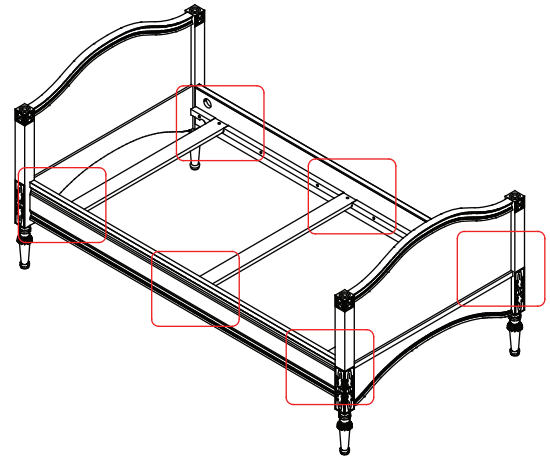
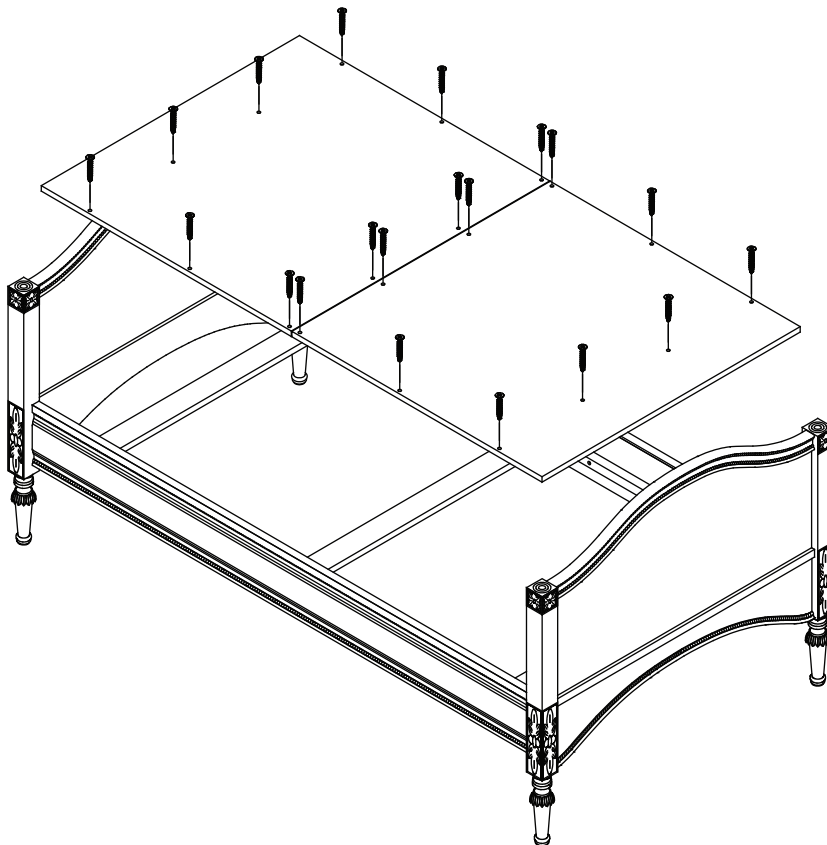


FIGURE 06



## STEP# 7.

### INSTALLATION OF FRONT AND BACK GUARD RAILS TO UPPER BUNK BED.

#### NOTE:

The Front Guard Rail can be installed at either end of the bed depending on your desired ladder location. Please see ladder options in FIGURE 07-B.

#### STEP #7.1

On inside surface of both Front and Back Guard Rails (G, H) are pre-installed metal brackets, designed to attach to the Side Rails (E) of the upper bunk. Install the Front and the Back Guard Rails (G, H) on the upper bunk by screwing (7) the Metal Brackets into the Upper Side Rails (E). (Refer FIGURE 07-A).

FIGURE 07-A

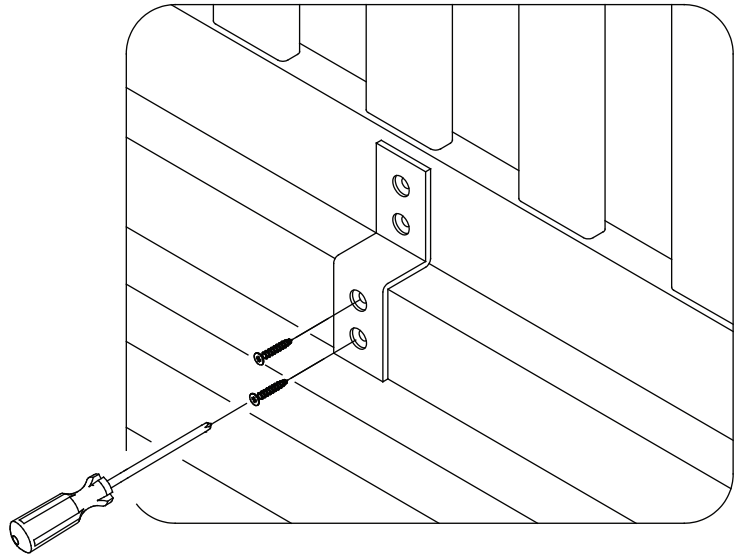


FIGURE 07

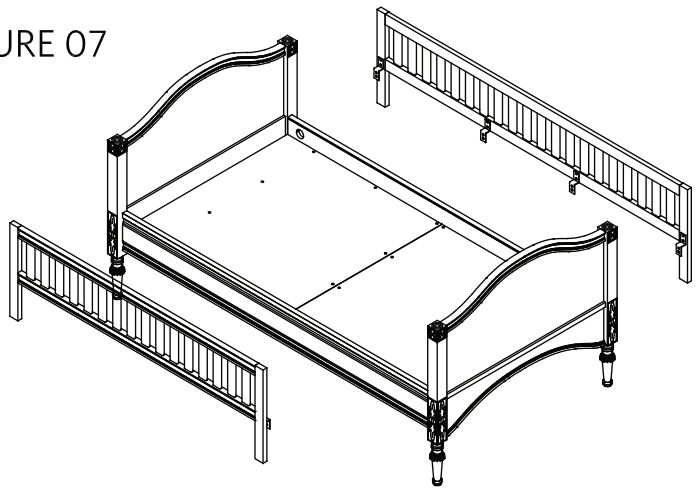
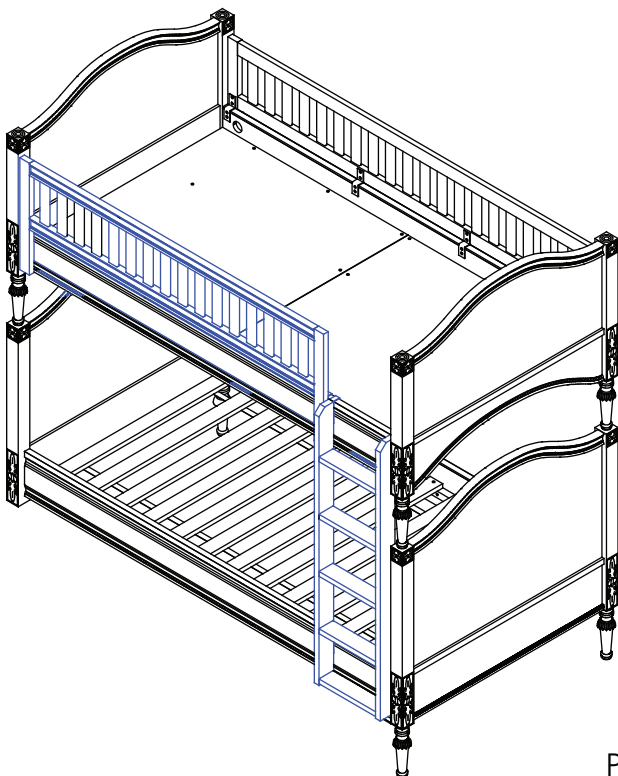
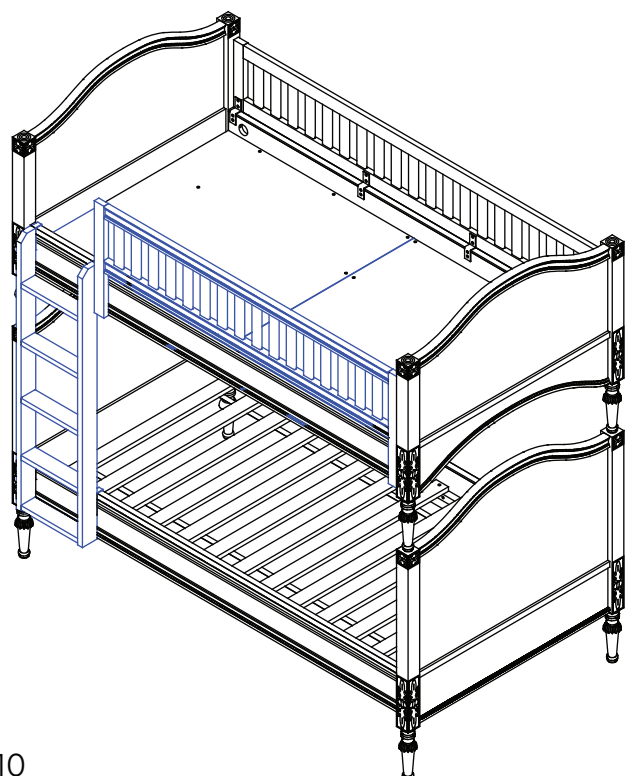


FIGURE 07-B

OPTION 1



OPTION 2



## STEP #8.

### BUNK BED ASSEMBLY

#### STEP #8.1

On top surface of Lower End Panels (A) are holes for Steel Dowels (9) that correspond to the holes in the Legs of the Upper Bed (D). Insert Steel Dowels (9) Into top of Lower End Panels (A) as in FIGURE 08-A.

#### STEP #8.2

Gently lift up the upper bunk and align and insert the Steel Dowels (9) into the holes in the bottom of the Legs of upper bunk. Refer to FIGURE 08-B.

FIGURE 08 - A

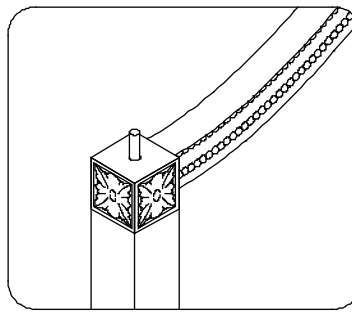


FIGURE 08 - B

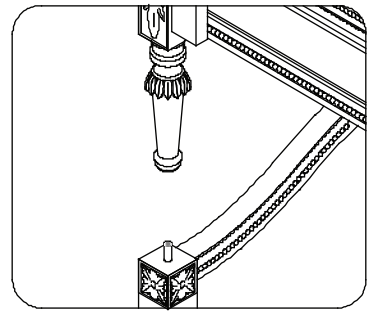
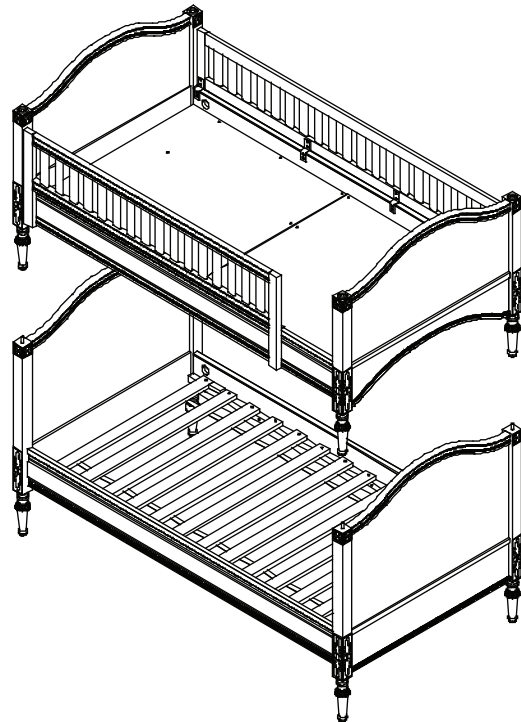


FIGURE 08



## STEP #9.

### LADDER ASSEMBLY

#### STEP #9.1

On inside surface of the Ladder (I) are metal brackets pre-installed with holes for the Screws (7) to pass through. Hook the metal brackets of the Ladder into the Upper Side Rail (E) as well as the brackets on Lower Side Rail (B); Once the Ladder (I) is set, fasten the Ladder (I) with Phillips Wood Screws (7) provided as in FIGURE 09-A and FIGURE 09-B.

FIGURE 09

FIGURE 09-A

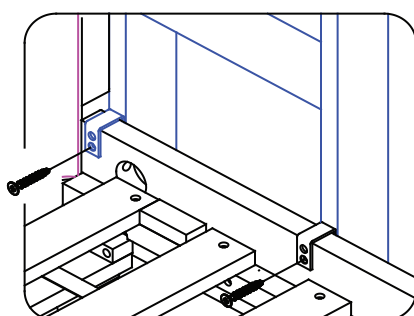
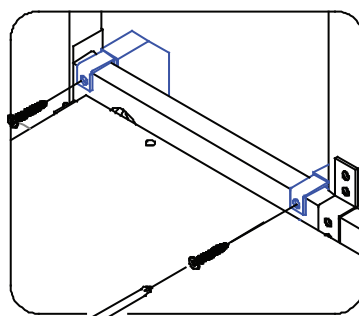


FIGURE 09-B





## STEP # 10

### METAL BRACKET INSTALLATION AND OPTIONAL TRUNDLE

#### STEP # 10.1

After assembling the bunk bed, secure Guard Rails (H & I) to Upper Side Rails (E) with Metal Brackets (8) provided as in FIGURE 10.

#### STEP # 10.2

After assembly, slide the optional Trundle (sold separately) (L) underneath the bunk bed as in FIGURE 11.

FIGURE 10

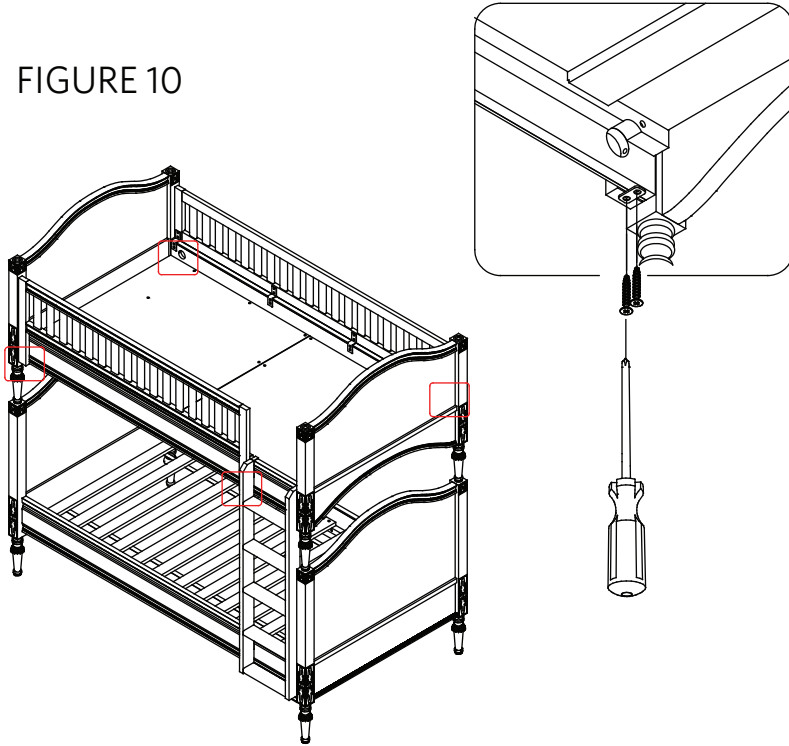
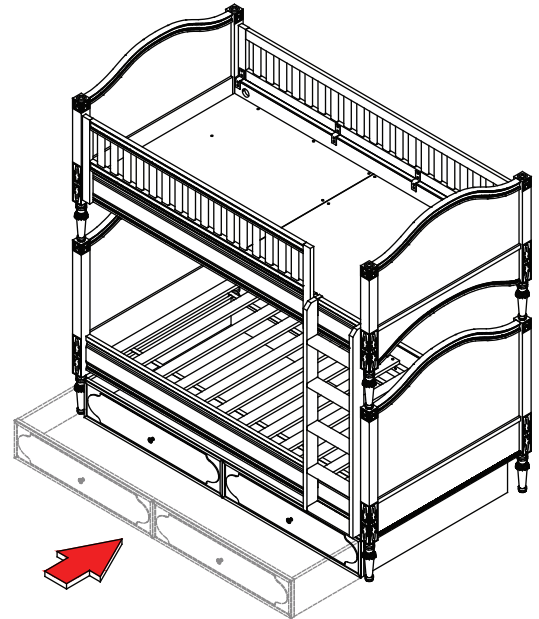


FIGURE 11



## UPPER BUNK MATTRESS DIAGRAM

### BEDDING SPECIFICATIONS:

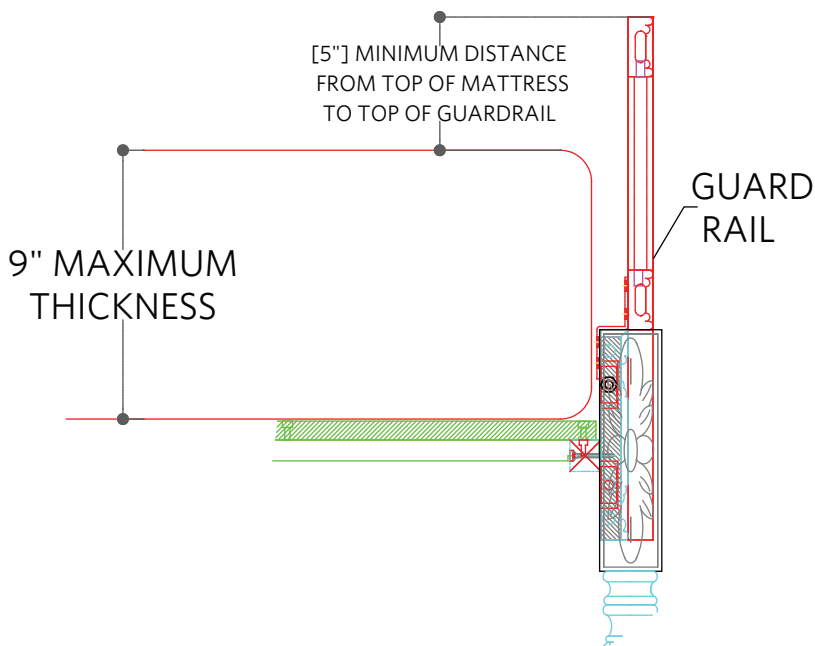
The following size mattress and foundation are specified for use with this bunk bed.

MATTRESS :  $37\frac{1}{2}$ " to  $38\frac{1}{2}$ " W x 74" x to 75" L  
maximum 9" H.

SLAT ROLL OR PLATFORM :  $2\frac{1}{2}$ " H X  $38\frac{7}{8}$ " W.

\*\*Note: TOP MATTRESS AND PLATFORM MUST  
NOT EXCEED  $9\frac{1}{2}$ " TOTAL THICKNESS.

Be sure to adhere to these BEDDING  
SPECIFICATIONS in order to avoid the possibility  
of falling or entrapment. THESE SPECIFICATIONS  
MUST BE STRICTLY ADHERED TO!



## STEP #11.

### ASSEMBLY OF BUNK AS TWO TWIN BEDS

#### STEP #11.1

Repeat Steps #1 - Step #5, Lower Bunk Assembly and Upper Bunk Bed Assembly.

Note: In order to set up as two identical twin beds, one Lower End Panel (A) may be removed and exchanged with one Upper End Panel (D), so each bed has a headboard (Lower End Panel-A) and footboard (Upper End Panel-D). Please refer to FIGURE 13.

#### STEP #11.2

Insert wooden caps on top of Lower End Panels (A) as in figure 12.

FIGURE 12

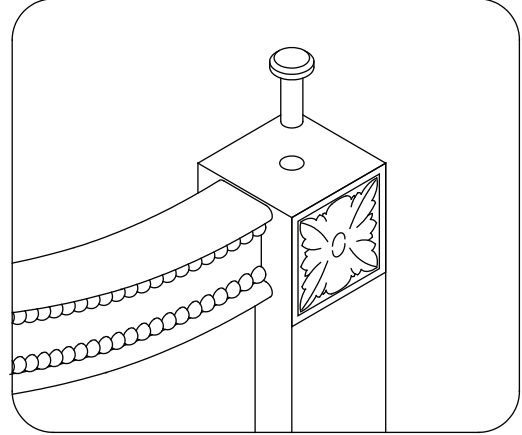
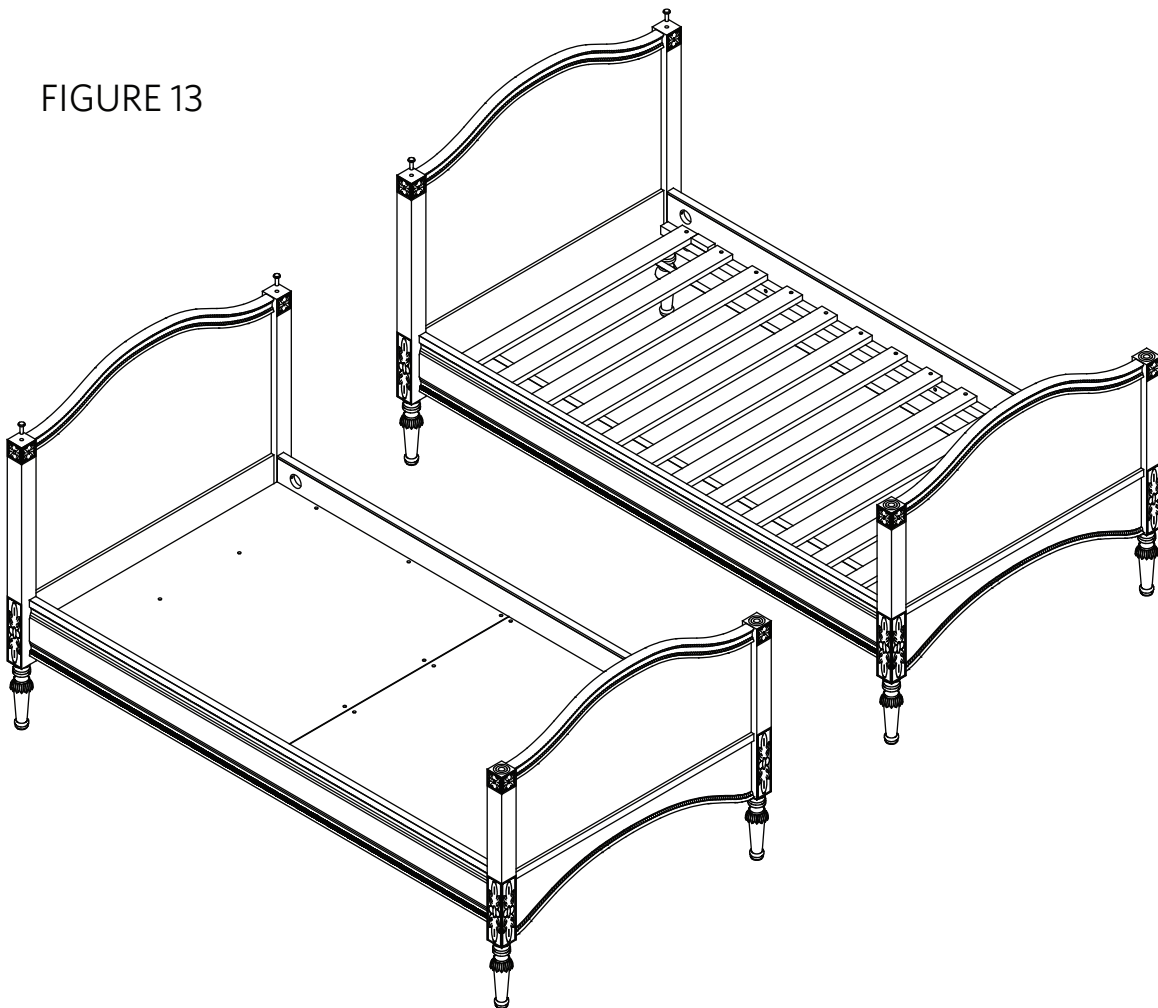


FIGURE 13



*Thank you for your purchase*  
[www.rhbabyandchild.com](http://www.rhbabyandchild.com)