

BELLINA CHANGING TABLE WALL

⚠ WARNING:

- Adult assembly only owing to the presence of small parts, sharp points and edges.
- FALL HAZARD - To prevent death or serious injury from falls, always keep child within arms reach.
- The surface used should be level, stable structurally sounds with a minimum surface dimension of 45" by 20".
- Read all instructions before use of the changing table.
- Keep the instructions for future reference.
- Do not use the changing if it is damage or broken.
- This changing system is intended to use with children weighing up to 30 lbs.
- Cushion pads size is 32" W x 16" D x 4"H.

CAUTION: WHEN CHILD REACHES A MAXIMUM WEIGHT OF 30 LBS. THE CHANGING TABLE SHALL NO LONGER BE USED.

IMPORTANT





These case parts can be cumbersome and heavy to some people, therefore, the assistance of two or more people are recommended in order to prevent personal injury and insure the case parts are not damaged during the assembly Process.

Customer Service - If you are missing parts or have any questions about this product please contact us at 1-800-762-1751

PART LIST

- A. BASE
- B. LEFT CABINET
- C. RIGHT CABINET
- D. CANOPY

HARDWARE LIST

NO	DESCRIPTION	QTY
1	 ROUND HEAD PHILLIPS WOOD SCREW	12
2	 MENDING PLATE	4
3	 FLAT HEAD WOOD SCREW	16
4	 SHELF HOLDER	24

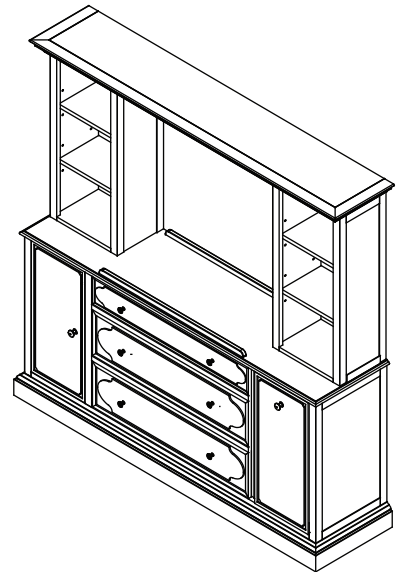
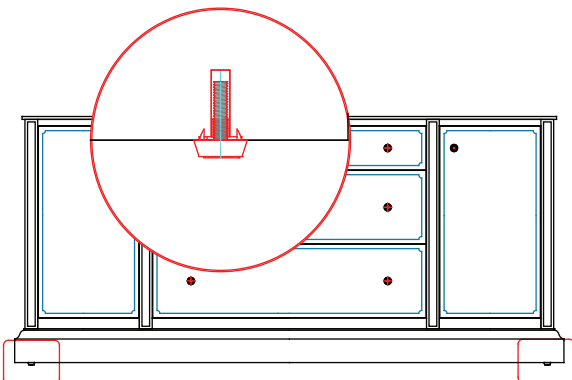


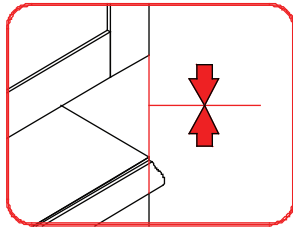
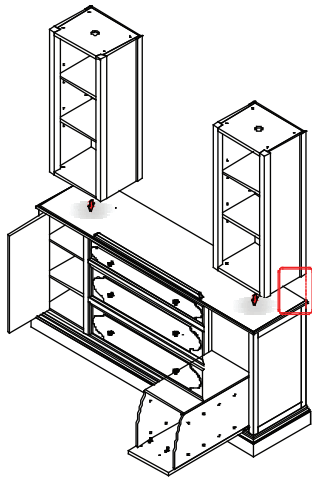
FIGURE 01



INSTRUCTIONS

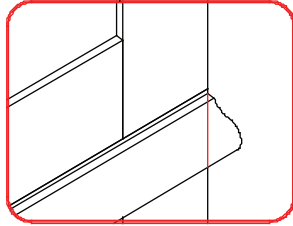
STEP #1:
Set the base (A) in the desired location 16" to 20" from the wall. Examine the alignment of the doors and drawers. If leveling is necessary, gently tilt the base slightly and adjust the levelers accordingly. Turn the levelers clockwise to raise the furniture piece and counter clockwise to lower it. Adjust all levelers until the correct level or flatness is achieved. Refer to FIGURE 01.

FIGURE 02



STEP #2

Place the Left cabinet (B) and Right cabinet (C) on top of the Base (A) and make sure the side panel and back surface of the cabinet are flush to the base, as in FIGURE 02.

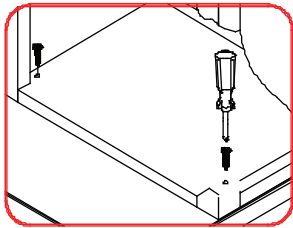
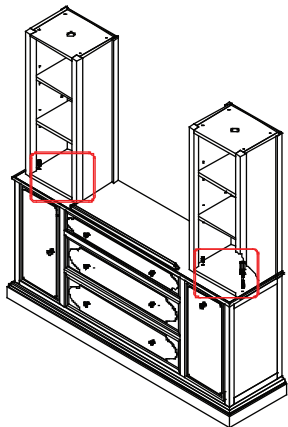


Note: At bottom panel of right and left cabinet (B & C) are pre-bored holes for the screws to pass through designed to fasten the cabinet in place.

STEP#3

Fasten both left and right cabinet in place with round head Phillips wood screws (1) provided as in FIGURE 03.

FIGURE 03



STEP #4

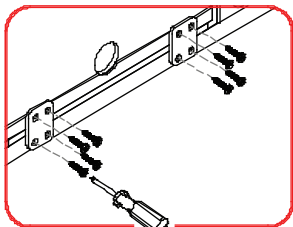
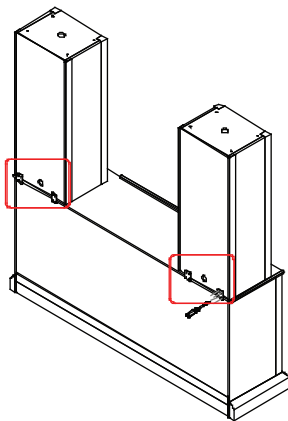
After screwing the inner part of the cabinet, engage mending plate (2) with flat head wood screws (3) at the back as shown in FIGURE 04.

Note: on top surface of both cabinet (B & C) there is a locator slot that fit to the locator block underneath the canopy (D).

STEP #5

Place the canopy (D) on top of the cabinet (B & C) and align the locator blocks into the locator slots. Once the canopy (D) is set, fasten this with round head Phillips wood screws (1) provided as in FIGURE 05.

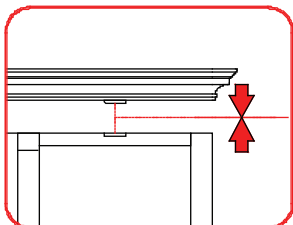
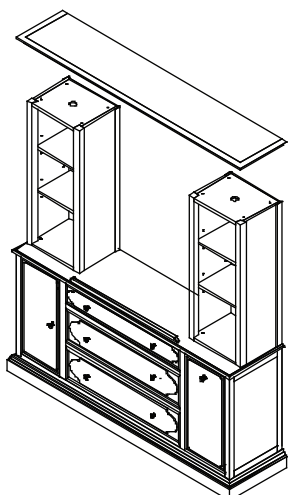
FIGURE 04



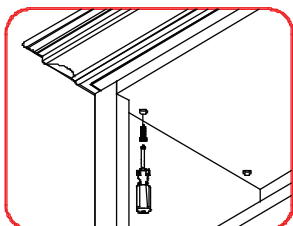
STEP #6:

After assembly, move the changing table wall backward within 1.5" to 2" from the wall. On inside surface of both cabinets are holes for the shelf holders. The wooden adjustable shelves can be installed in any position corresponding with a set of pre-bored shelf support holes. Make sure all the shelf supports are inserted completely in the holes, in the correct position, and in the correct hole locations before placing the wooden shelf on the supports.

FIGURE 05



Please refer Page 3 for FURNITURE TIPPING RESTRAINT instructions.








FURNITURE TIPPING RESTRAINT INSTRUCTIONS

Young children may be injured by tipping furniture and the use of a tipping restraint is highly recommended. When properly installed, this restraint could provide protection against the unexpected tipping of furniture due to small tremors, bumps or climbing. We recommend mounting this restraint to a wall stud.

WARNING : This product is only a deterrent. It is not a substitute for proper adult supervision.

PART LIST

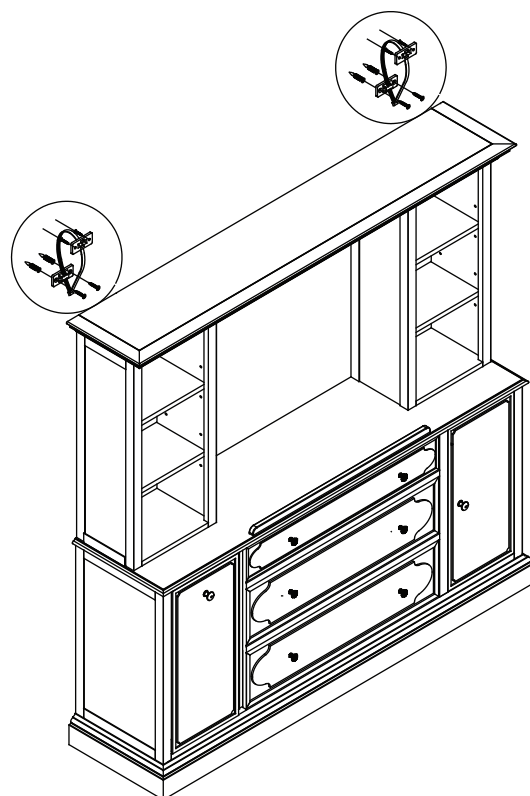
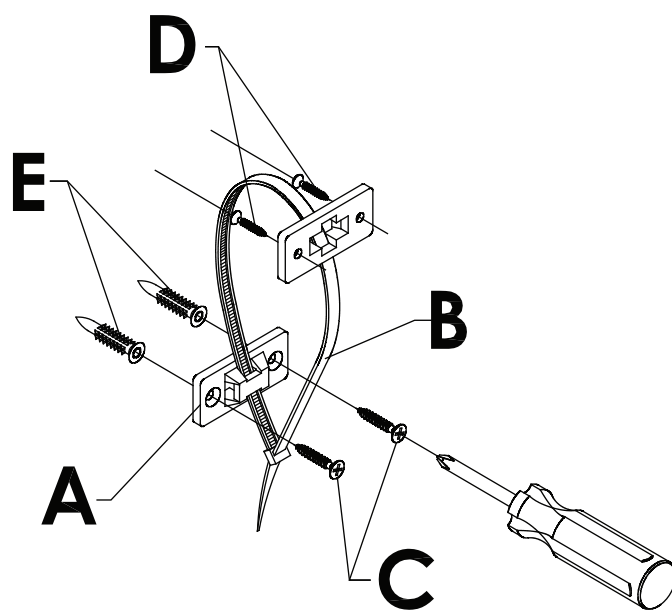
- A [4] PLASTIC BRACKET 
- B [2] RESTRAINT STRAP 
- C [4] PHILLIPS SCREWS M4 x 30mm 
- D [4] PHILLIPS SCREWS M4 x 20mm 
- E [4] PLASTIC ANCHOR 

INSTALLATION INSTRUCTIONS

1. Attach two of the mounting brackets near the top back edge of the furniture piece by inserting the shorter screw.
2. Determine the final position of the furniture piece. Mark locations on the wall approximately 2" below the brackets mounted to the back of the furniture.
3. Drill a shorter hole into the wall stud. If wall stud is not available, drill a hole into the wall and insert plastic anchor. Gently tap the anchor until the flange is flush with the wall.
4. Attach the second set of brackets by inserting the longer screw through the bracket and into the wall.
5. Place the furniture so that the brackets on the back edge are in line with the brackets in the wall.
6. Lace one end of the nylon restraint strap down through each bracket. Bring both ends together and slide the beaded end until it snap locks into the keyhole slot.
7. To double lock; return the beaded end back through the keyholes as shown.
8. Check to make sure the straps are securely laced and locked to the brackets

CARE INSTRUCTIONS:

- Dust often using a clean, soft, dry lint-free cloth.
- Blot spills immediately and wipe with a clean, damp, cloth.
- We do not recommend the use of chemical cleansers, abrasives, or furniture polish on our lacquered finish.



Thank you for your purchase
www.restorationhardware.com