

RHBABY&CHILD
RHTEEN
BELLINA CONVERSION CRIB
ASSEMBLY & INSTALLATION INSTRUCTIONS
ENGLISH

Made in Vietnam

Distributed in the USA by:

RH Baby&Child

2900 North Macarthur Dr.

Tracy, CA 95376

USA

www.rhbabyandchild.com

Distributed in Canada by:

RH Canada, Inc.

1500-1055 West Georgia Street

Vancouver, British Columbia V6E4N7



WARNING: Read all

instructions before assembling this

product. KEEP INSTRUCTIONS

FOR FUTURE USE.



CUSTOMER SERVICE

If you are missing parts or have any questions about this product, contact us first. You can also order parts by writing to the address above. Include the product model number, color, and a brief description of the part. Or call 1-800-762-1005.

CARE AND CLEANING

DO NOT scratch or chip the finish. DO NOT use abrasive chemicals for cleaning. Dust often using a clean, soft, dry cloth.

Blot spills immediately and wipe with a clean, damp cloth. If the crib is to be stored, store in a cool, dry place and carefully package all original hardware to protect from loss.

TOOLS NEEDED

Allen Wrench (included)

NOTE: Two people are recommended for assembly.

NOTE: When inserting bolts, turn clockwise until tight. Then loosen 1/2 - 3/4 of a turn. After crib is completely assembled, return to each bolt and tighten. Use wax or soap on all bolts to facilitate assembly.

IMPORTANT, RETAIN FOR FUTURE REFERENCE:
READ CAREFULLY

IMPORTANT SAFETY INFORMATION FOR CRIBS
CONFORMS TO EN716-1:2017

- ⚠ WARNING: This is a mattress, do not add a second mattress, suffocation hazards.
- ⚠ WARNING: Maximum thickness of the mattress to be used: 15 cm
- ⚠ WARNING: Be aware of the risk of open fire and other sources of strong heat, such as electric bar fires, gas fires, etc. in the near vicinity of the cot.
- ⚠ WARNING: Do not use the cot if any part is broken, torn or missing and use only spare parts approved by the manufacturer.
- ⚠ WARNING: Do not leave anything in the cot or place the cot close to another product, which could provide a foothold or present a danger of suffocation or strangulation, e.g. strings, blind/curtain cords.
- ⚠ WARNING: Do not use more than one mattress in the cot.
- ⚠ WARNING: Only use the mattress sold with this cot, do not add a second mattress on this one, suffocation hazards.

IMPORTANT SAFETY INFORMATION FOR CRIBS

- Reminder the cot is ready for use, only when the locking mechanisms are engaged and to check carefully that they are fully engaged before using the folding cot.
- Reminder that the lowest position is the safest and that the base should always be used in that position as soon as the baby is old enough to sit up (If the height of the cot base is adjustable).
- Reminder if you leave the child unattended in the cot, always make sure that the movable side is closed (Applicable when movable sides are provided).
- Reminder that it is essential to remove these rails before the cot is used in its lowest position (Where detachable support rails are provided to support the cot base above its lowest position).
- Reminder all assembly fittings should always be tightened properly and that fittings should be checked regularly and retightened as necessary.

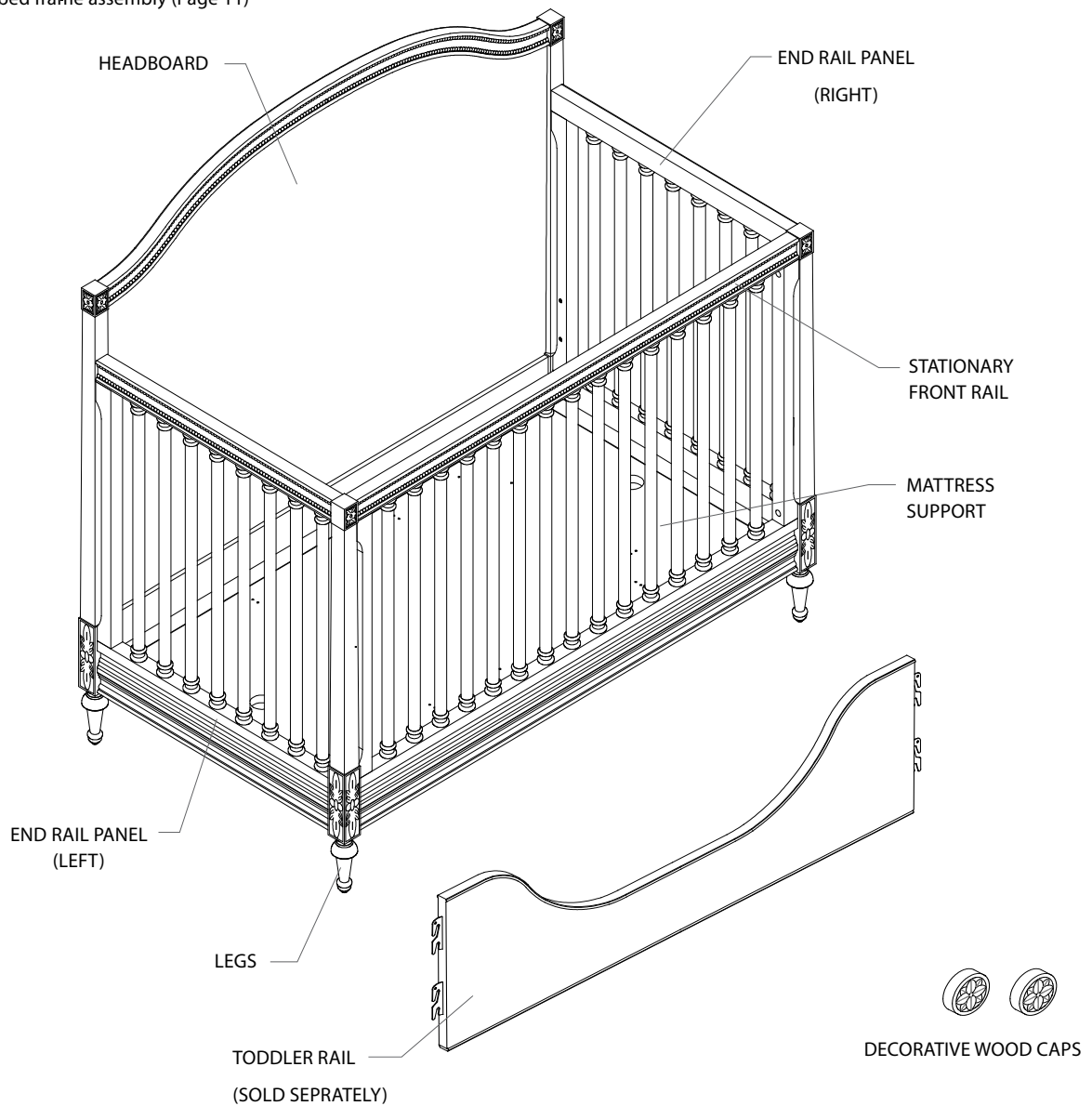
IMPORTANT SAFETY INFORMATION FOR MATTRESS

- Thickness of the mattress shall be such that the internal height (surface of the mattress to the upper edge of the cot frame) is at least 500 mm in the lowest position of the cot base and at least 200 mm in the highest position of the cot base. This information is not applicable to and shall not appear for folding cots in which the mattress is an integral part of the product through a mattress base.
- Where the requirement in Step 6, Detail J is fulfilled by a mark on the cot, a statement that the mark indicates the maximum thickness of the mattress to be used with the cot. This information is not applicable to and shall not appear for folding cots in which the mattress is an integral part of the product through a mattress base.
- The minimum size of the mattress to be used with the cot (1310mm x 690mm). The dimension shall take into account that there shall be no gap more than 30 mm between the mattress and the side's end in any position of the mattress. This information is not applicable to and shall not appear for folding cots in which the mattress is an integral part of the product through a mattress base.
- Statement to prevent injury from falls that when the child is able to climb out of the cot, the cot shall no longer be used for that child.

PARTS IDENTIFICATION

For ease of identification, all parts are labeled to correspond to the step number in which the part is used

- Step 1 Leg assembly to Headboard and End Rail Panel.
Headboard and End Rail Panel assembly (Page 6).
- Step 2 Stationary Front Rail assembly (Page 7).
- Step 3 Mattress Support and Stabilizer Rail assembly (Page 8).
- Step 4 Hiding Unused Holes (Page 9).
- Step 5 Toddler Rail assembly (Page 10).
- Step 6 Metal bed frame assembly (Page 11)



STEP 1
LEG ASSEMBLY TO HEADBOARD AND END RAIL PANEL.
HEADBOARD AND END RAIL PANEL ASSEMBLY.

STEP 1.1

Gently lay the Headboard and End Rail Panel on a clean and non-abrasive surface.

STEP 1.2

Align and insert the Threaded Rod of the Legs into the hole on the bottom of the Headboard and End Rail Panel and turn clockwise to tighten. Assemble the Foot by turning snug to firm hand-tight position. See DETAIL A.

STEP 1.3

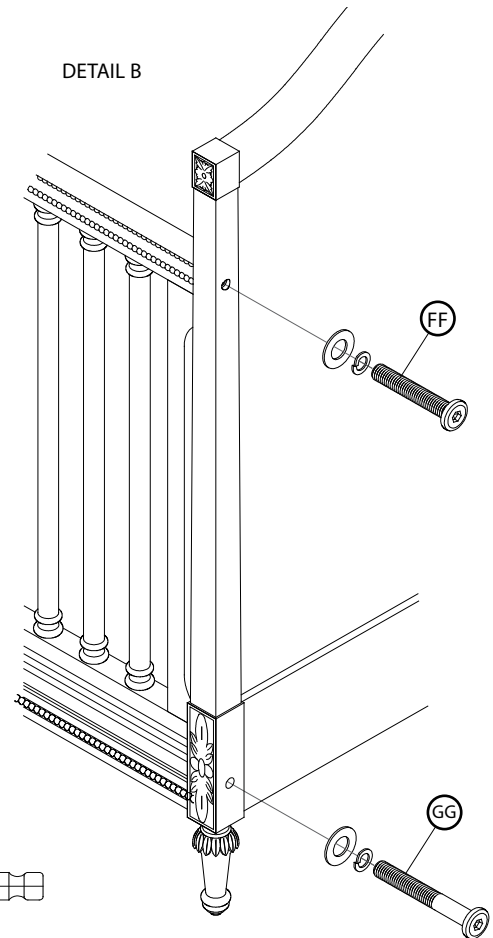
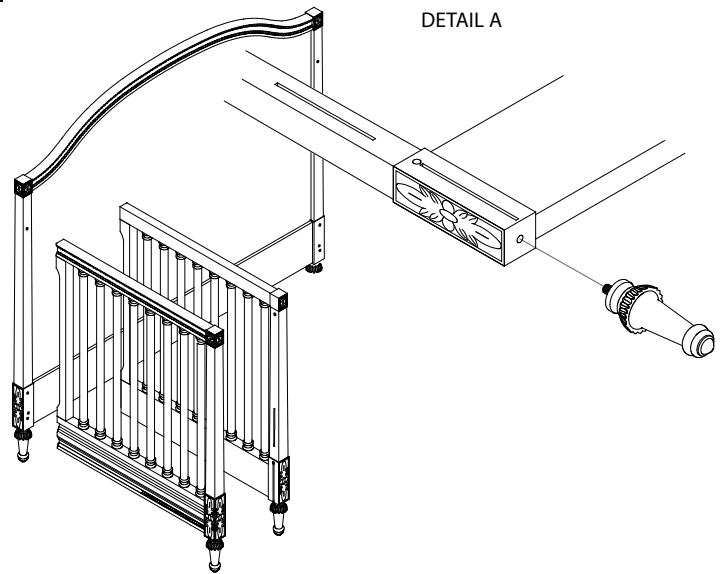
Bring the Headboard and End Rail Panel in upright position.

NOTE:

On both ends of the Headboard are holes for the bolt to pass through that correspond to the holes located on both ends of the End Rail Panel with pre-installed nuts.

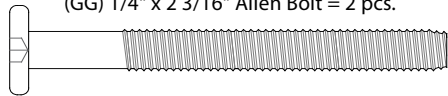
STEP 1.4

Align the hole of the End Rail Panel with the holes of the Headboard then insert allen bolt into hole and tighten with Allen wrench provided. See DETAIL B.

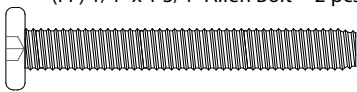


HARDWARE NEEDED FOR STEP 1

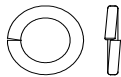
(GG) 1/4" x 2 3/16" Allen Bolt = 2 pcs.



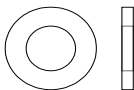
(FF) 1/4" x 1 3/4" Allen Bolt = 2 pcs.



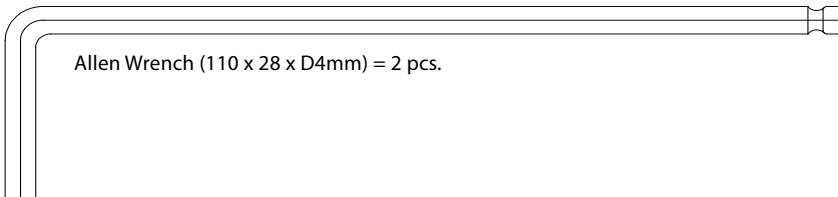
Lock Washer (Ø10 x Ø6.5 x 1.5mm) = 4 pcs.



Plain Washer (Ø12 x Ø6.5 x 1.5mm) = 4 pcs.



Allen Wrench (110 x 28 x D4mm) = 2 pcs.



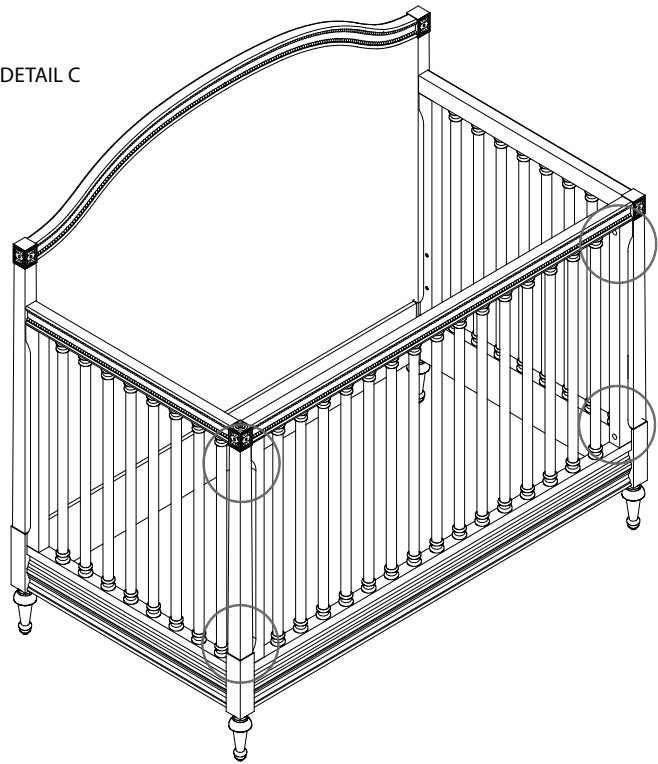
STEP 2
FRONT RAIL ASSEMBLY

STEP 2.1

On both ends of the End Rail Panel are holes for the bolt to pass through which correspond to the holes on the posts of both End Rail Panel with pre-installed nuts. Align the holes of the Front Rail Panel into the End Rail Panels then engage Allen head bolt in each hole and tighten with Allen wrench provided, as in **DETAIL C** & **DETAIL D**.

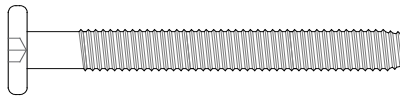
After assembly, re-tighten all bolts to a snug fit. **DO NOT OVER TIGHTEN.**

DETAIL C

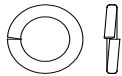


HARDWARE FOR STEP 2

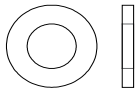
(EE) 1/4" x 2" Allen Bolt = 4 pcs.



Lock Washer (Ø10 x Ø6.5 x 1.5mm) = 4 pcs.



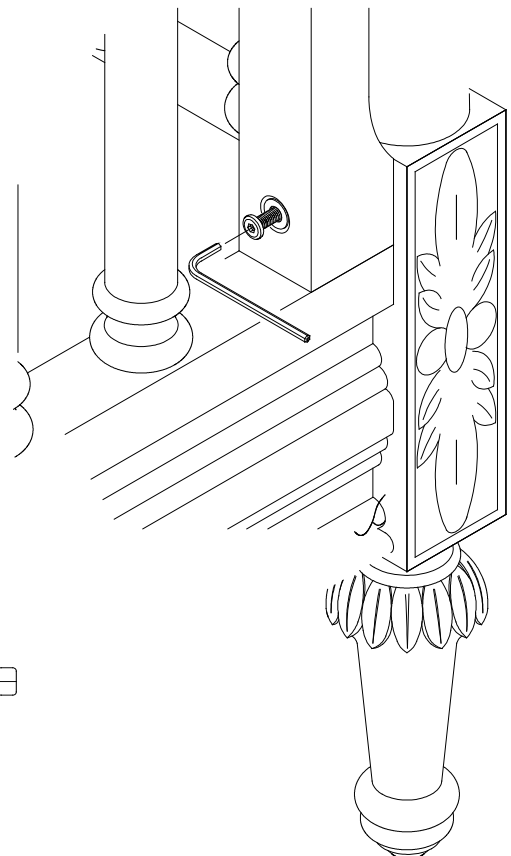
Plain Washer (Ø12 x Ø6.5 x 1.5mm) = 4 pcs.



Allen Wrench (110 x 28 x D4mm) = 2 pcs



DETAIL D



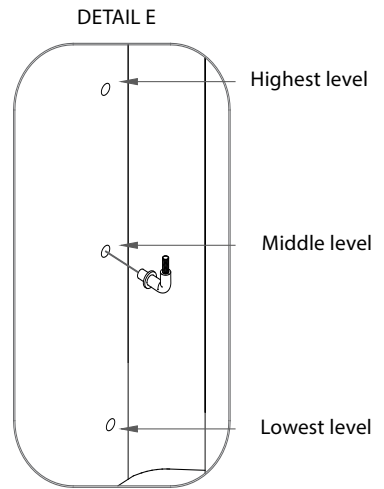
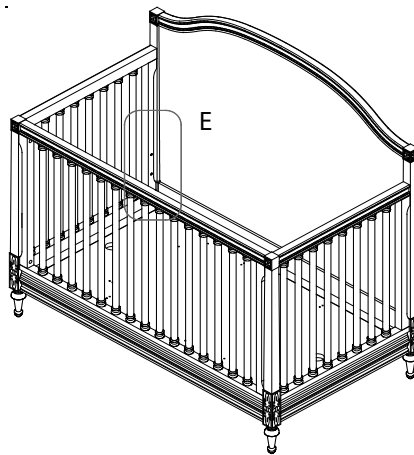
STEP 3
MATTRESS SUPPORT ASSEMBLY

STEP 3.1

Insert L pins into the holes on the Side Rail Panels. See DETAIL E.

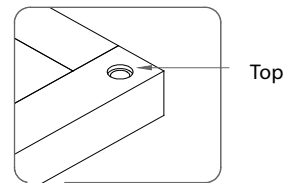
WARNING:

Set the Mattress Support to the desired height by adjusting the L Pins. The Mattress Support should be at its highest setting for newborns, then adjusted to the lower positions as the child grows and becomes mobile. Once the child is able to stand, the Mattress Support should be at its lowest position.



STEP 3.2

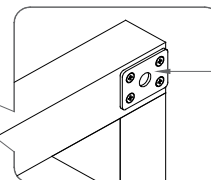
Position the Mattress Support between the Side Sail Panels. Then align L Pins into the pre-drilled holes of the Mattress Support. See DETAIL E.



Top

STEP 3.3

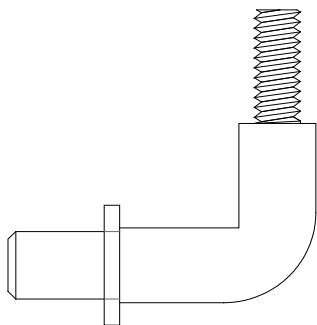
Attach the Mattress Support with Sleeve nuts and tighten using Allen Wrench. See DETAIL F.



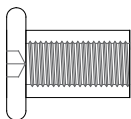
Bottom

HARDWARE NEEDED FOR STEP 3

L Pins (M6 x 40 x 39 x Ø9mm) = 4 pcs



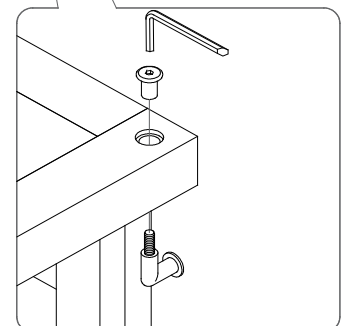
Sleeve Nuts (Ø15 x M6 x 16mm) = 4 pcs



Allen Wrench (110 x 28 x D4mm) = 2 pcs



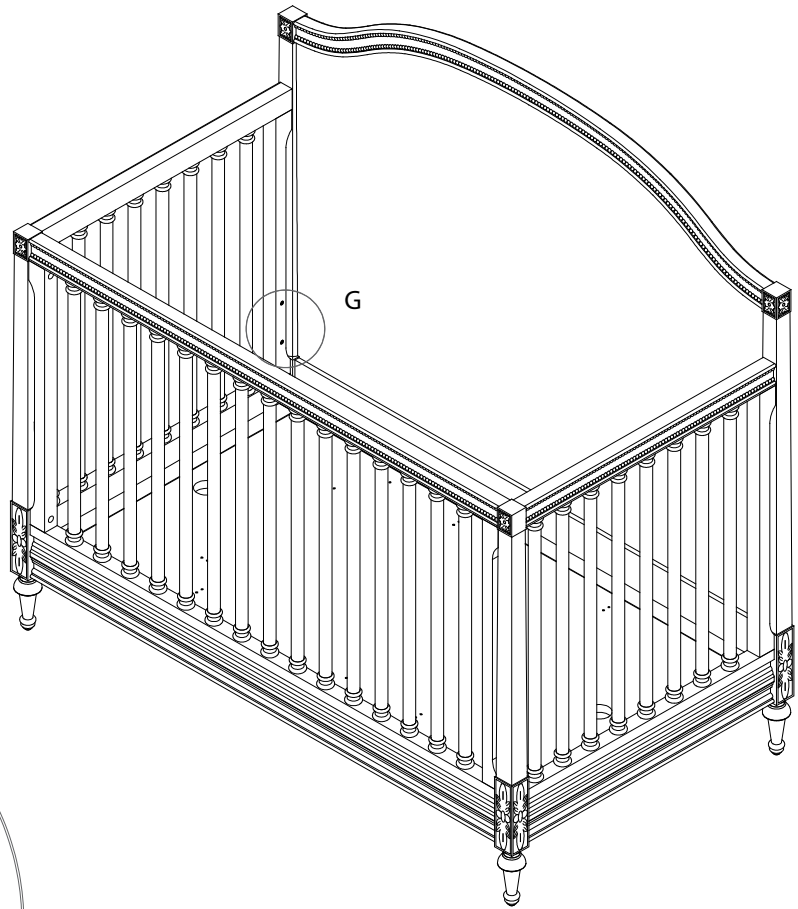
DETAIL F



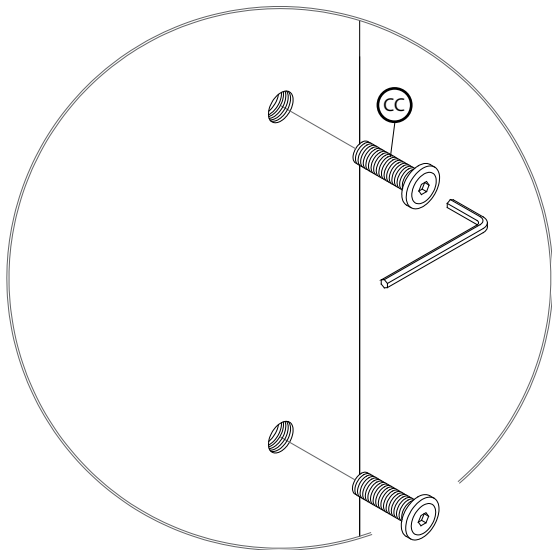
STEP 4
HIDING UNUSED HOLES

STEP 4.1

When the Mattress Support is in the middle or lowest setting, unused holes can hurt your child's fingers. Please use Allen Bolts (CC) provided to hide these holes. See illustration in DETAIL G.

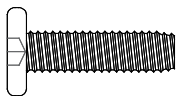


DETAIL G



HARDWARE NEEDED FOR STEP 4

(CC) 1/4" x 13/16" Allen Bolts = 8 pcs



Allen Wrench (110 x 28 x D4mm) = 2 pcs



**STEP 5
TODDLER RAIL ASSEMBLY**

STEP 5.1

Remove the Front Rail Panel of the crib by loosening all the bolts installed.

STEP 5.2

Gently tilt the crib and release the bolts underneath the metal brackets holding the Stabilizer Rails.

STEP 5.3

Gently remove the Mattress Support and slightly loosen the bolt at the back of the Headboard that enough to set the Toddler Rail in-between End Rail Panel.

NOTE: Fill the holes located on the top of the End Rail Panel by inserting bolt provided (PACKED INSIDE TODDLER RAIL BOX).

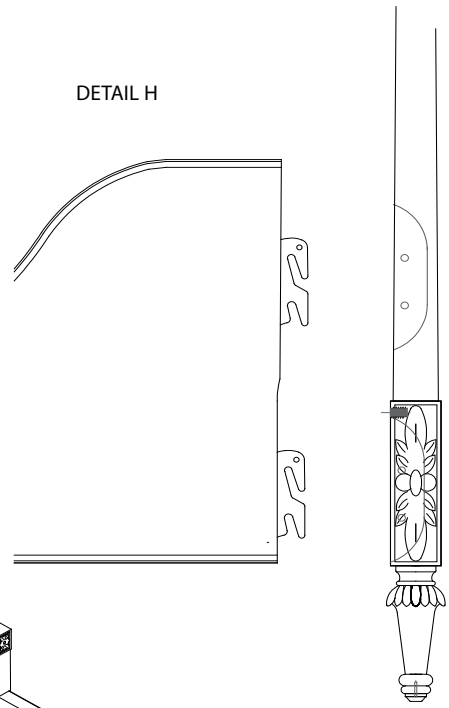
STEP 5.4

On inside face of both End Rail Panels there is a cavity for the hook which corresponds to the hook on both ends of the Toddler Rail. Align and insert the hook of the Toddler Rail into the cavity of the End Rail Panel, as in **DETAIL H**.

NOTE: If Mattress Support is not in the lowest position, unscrew Mattress Support bolts and move the lowest position.

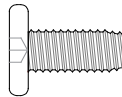
After assembly, re-tighten all bolts to a snug fit.

DETAIL H

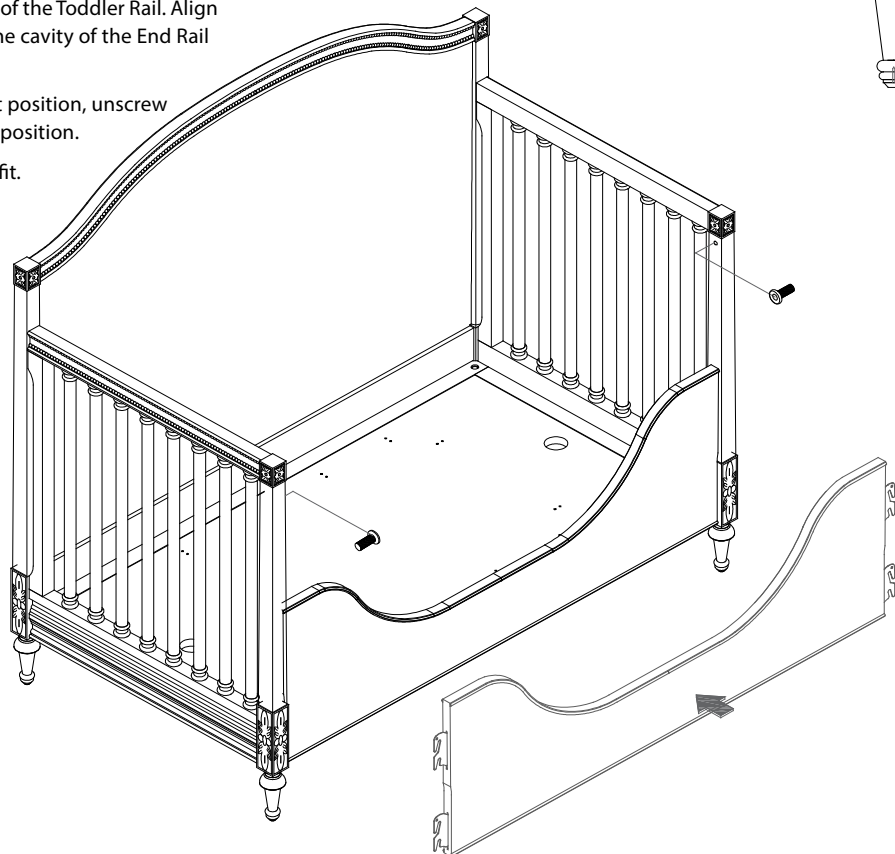


**HARDWARE FOR STEP 5
(PACKED INSIDE TODDLER RAIL BOX)**

1/4" x 1/2" Allen Bolt = 2 pcs.



Allen Wrench (110 x 28 x D4mm) = 2 pcs



STEP 6
METAL BED FRAME ASSEMBLY

STEP 6.1

Loosen all the bolts on the crib to disassemble the crib.

STEP 6.2

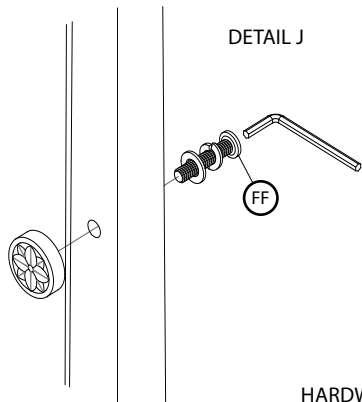
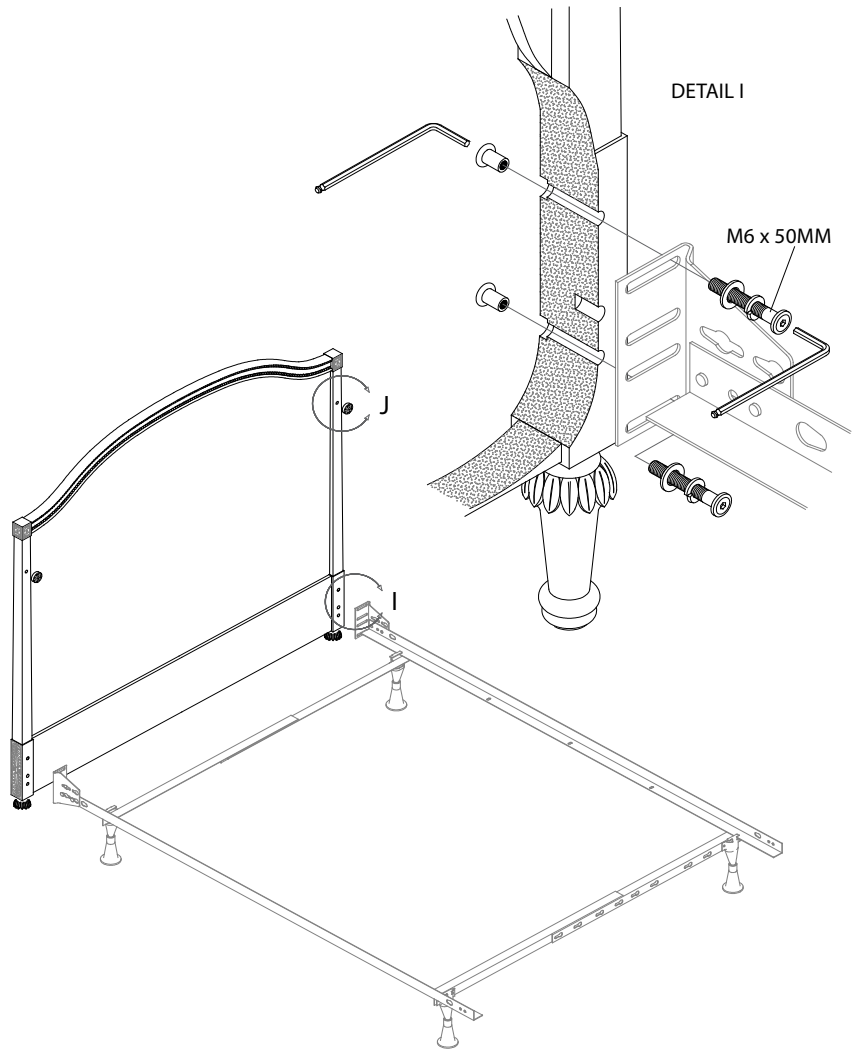
Bring the Headboard to the upright position.

STEP 6.3

On the bottom of the Headboard there are holes for the bolt to pass through that correspond to the holes on the metal bed frame. Attach the Metal Bed Frame to the Headboard by using Allen Bolts (FF) with Lock Washers and Plain Washers into the Sleeve Nut on the other side. See DETAIL I.


STEP 6.4

Fill the holes located on the top of the Side Rail Panel by attaching the Decorative Wood Caps with Allen Bolts (FF). (DETAIL J)

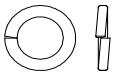


HARDWARE NEEDED FOR STEP 6

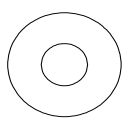
M6 x 50mm Allen Bolt = 4 pcs



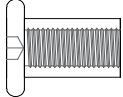
Lock Washers (Ø10 x Ø6.5 x 1.5mm) = 4 pcs



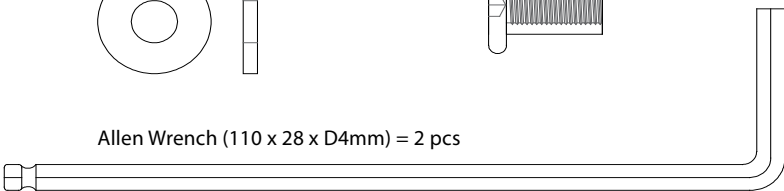
Plain Washers (Ø16 x Ø6.5 x 1.5mm) = 4 pcs



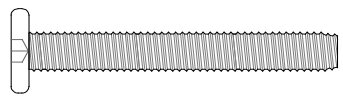
Sleeve Nut (Ø13 x M6 x 16mm) = 4 pcs




Allen Wrench (110 x 28 x D4mm) = 2 pcs



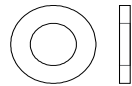
(FF) 1/4" x 1 3/4" Allen Bolt = 2 pcs



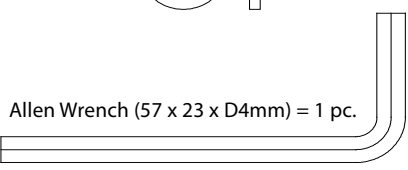
Lock Washers (Ø10 x Ø6.5 x 1.5mm) = 2 pcs



Plain Washers (Ø12 x Ø6.5 x 1.5mm) = 2 pcs



Allen Wrench (57 x 23 x D4mm) = 1 pc.



WARRANTY

If you are not completely satisfied with your purchase, please contact us to return or exchange your item(s) within 30 days of the delivery date, with proof of purchase. Note that returns or exchanges are not accepted for special orders, items that have been installed, mattresses and/or foundations no longer in their original packaging, and other items. Other exclusions may apply. Contact us for details. Unfortunately, galleries cannot accept returns of furniture or other large items.

CARE INSTRUCTIONS

1. Dust often using a clean, soft, dry and lint-free cloth.
2. Blot spills immediately and wipe with a clean, damp cloth.
3. Do not use chemical cleaners, abrasives or furniture polish, as they may damage the finish.
4. Do not subject the tabletop to direct heat or sunlight.